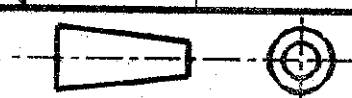
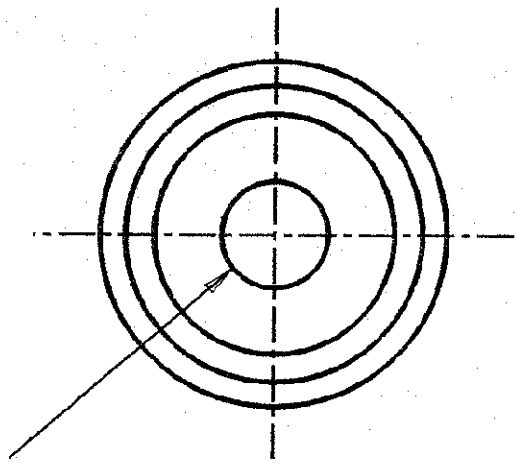


DO NOT SCALE

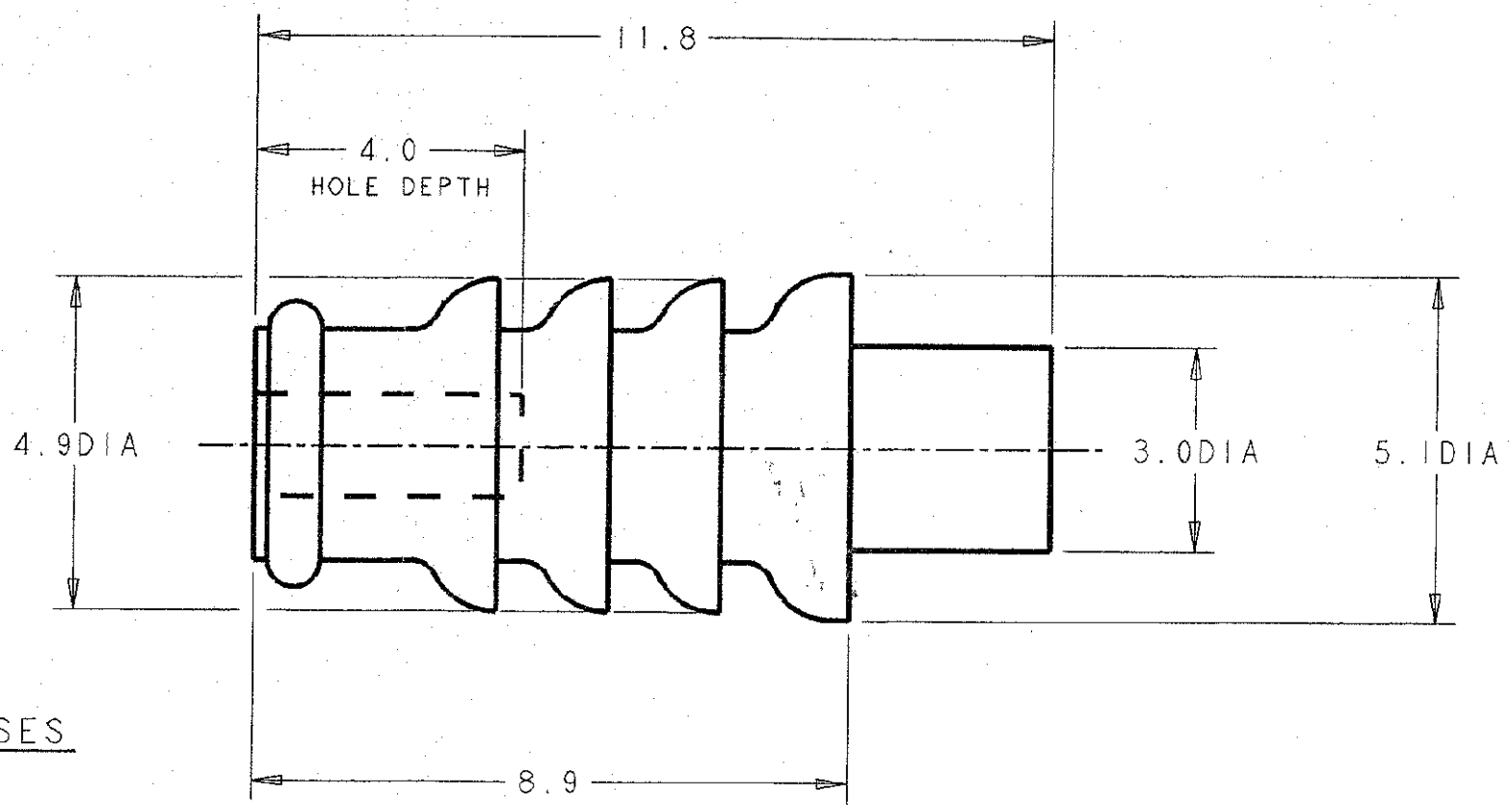
DIMENSIONS IN MM.



# AMP



HOLE: 1.5 DIA FOR TOOLING PURPOSES  
( Optional hole for tooling purposes )



THIS PLUG IS SUITABLE FOR BLANKING OFF UNUSED CAVITIES IN ECONOSEAL 3 LOW CURRENT CONNECTORS.

GREY		SELF-LUBRICATING SILICONE RUBBER		348461-1	
FINISH		MATERIAL		PART NUMBER	
CUSTOMER DWG FOR REFERENCE ONLY			© COPYRIGHT 1993 BY AMP OF GREAT BRITAIN LTD. ALL INTERNATIONAL RIGHTS RESERVED. ALL PRODUCTS MAY BE COVERED BY BRITISH AND FOREIGN PATENTS AND/OR PATENTS PENDING.		
		TOLERANCES UNLESS OTHERWISE STATED :		DR. R.J.S. 22.9.93	
		DEC ± 0.5		CH. K.W. APP. J.P.	
		ANGLES ± 1°			
A1		NOTE ADDED ECR-14-002006 12FEB2014			
A		RELEASED EB00-0091-01 12.03.91		NAME CAVITY REAR PLUG ECONOSEAL 3 LOW CURRENT	
2		TOOLING HOLE ADDED EB00-0149-96 28.03.96		SCALE 10/1	
1		PRELIM. ISSUE EB00- -93 22.09.93		LOC E	
REV		MODIFICATION CHANGE No. DATE		SIZE A 3	
				DWG.No. C348461	
				REV A1	
				SHEET 1 / 1	

C.A.D. FILE CODE 348461