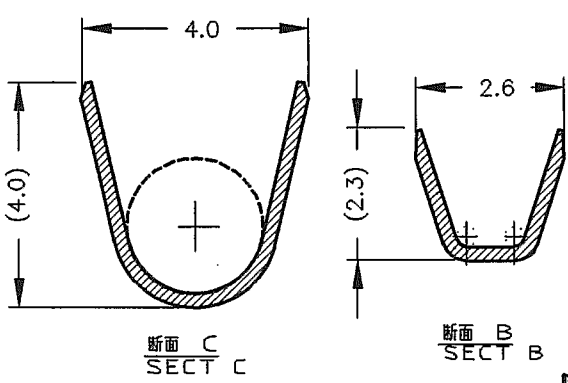
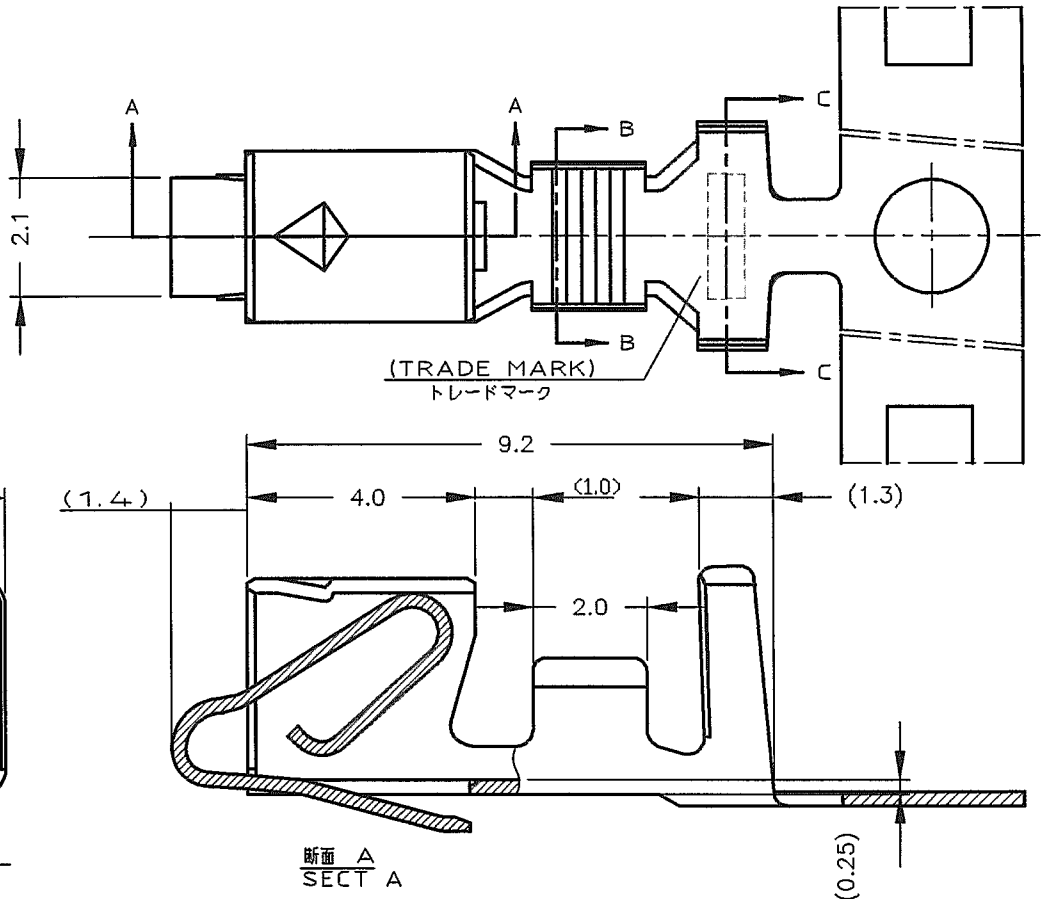


LOC	DIST	REVISONS			DATE	DWN	APVD
J	//	P	LTR	DESCRIPTION			
		F1		REVISED PER ECO-11-005030	26APR11	RK	HMR



#	PRE TIN BRASS 前めっき黄銅	1123721-2
1318912-1	PRE TIN PHOS BRO 前めっき黄銅 リン青銅	1123721-1
パラ端子型番	材料	型番
(LOOSE PIECE CONT P/N)(MATERIAL) (Part Number)		

WIRE RANGE 総合電線断面積	0.3~0.89mm ² (AWG#22~18)	INSULATION DIA 絶縁外径	φ1.7~3.0mm
-----------------------	-------------------------------------	------------------------	------------

MATERIAL 材料	表参照 (SEE LABEL)	FINISH 仕上	//
----------------	--------------------	--------------	----



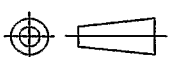
NAME 名称	ECONOMY POWER(EP) CONN. REC CONT エコノミーパワー(EP) コネクタ リセコンタクト		
------------	---	--	--

SIZE	CAGE CODE	DRAWING NO	RESTRICTED TO
A4	00779	C=1123721	

SCALE 尺度	//	SHEET	1 OF 1	REV	F1
-------------	----	-------	--------	-----	----

THIS DRAWING IS UNPUBLISHED. ALL RIGHTS RESERVED. JBLICATION RELEASED FOR ED. COPYRIGHT

DIMENSIONS: 単位: 概 mm	DWN	24 JUN '98	N.YAMASAKI
TOLERANCES UNLESS OTHERWISE SPECIFIED:	CHK	24 JUN '98	M.SHINDO
一般公差	APVD	24 JUN '98	M.SHINDO
5~ : ±0.3	PRODUCT SPEC	製品規格	108-5609
>5 : ±0.4	APPLICATION SPEC	取付適用規格	114-5253
	WEIGHT		//



CUSTOMER DRAWING

参考図面