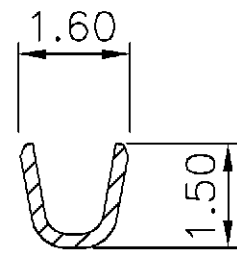
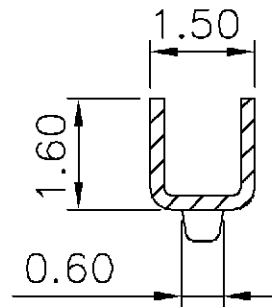


SEC: A-A



SEC: B-B



SEC: C-C

NOTE:

- MATERIAL :
TERMINAL : PHOSPHOR BRONZE, T=0.20mm.
- FINISH:
TERMINAL : 60u" MIN TIN PLATED ON CONTACT AREA.
20u" MIN. NICKEL UNDERPLATED OVER ALL.
- QUALIFICATION TEST REPORT: 501-57218.

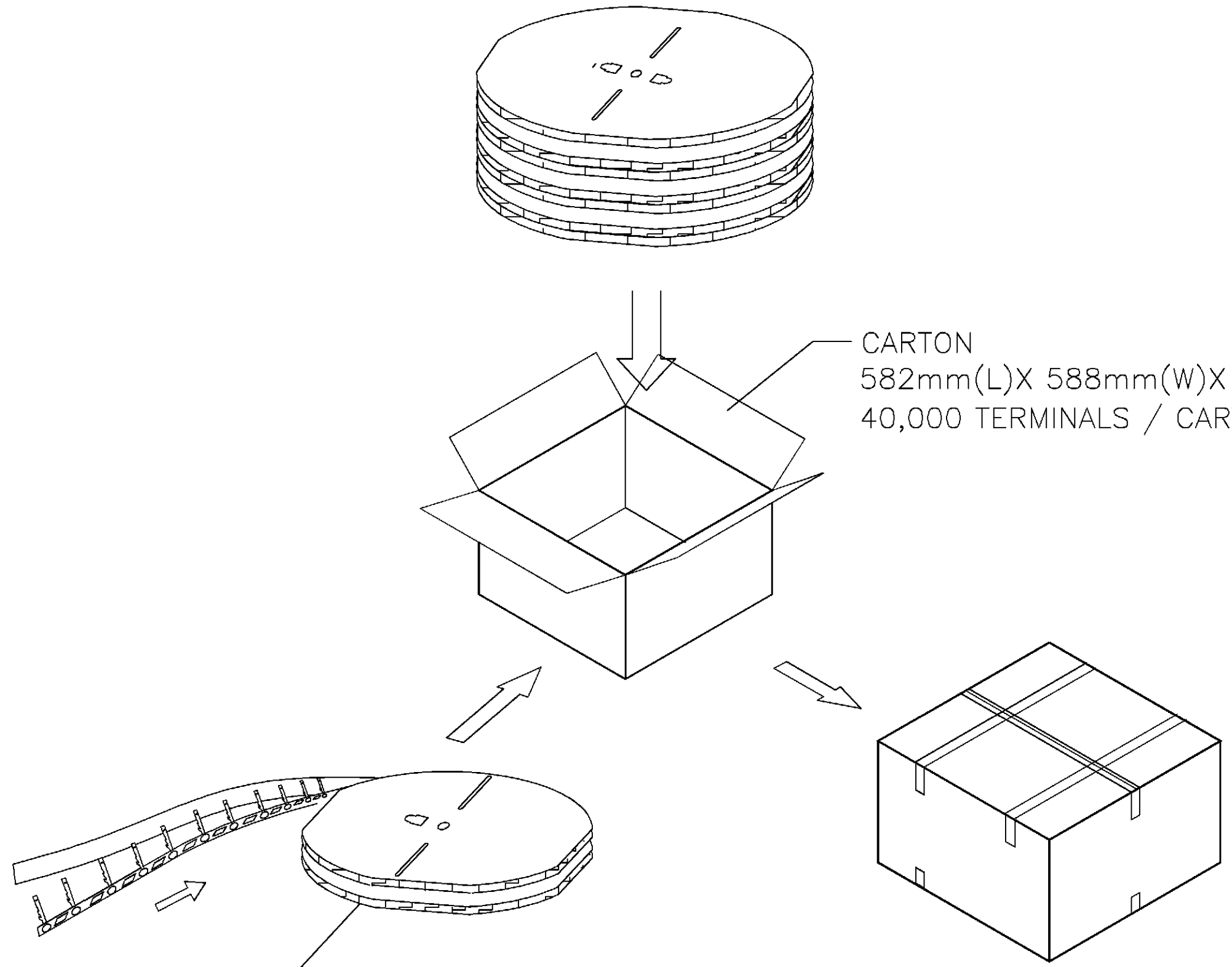
1470106-1
PART NUMBER

PRINT DIST	REV	DESCRIPTION	DATE	BY	CHK
	A	REVISED	FZ00-0183-03	OH	AW
	O	FIRST RELEASED	FZ00-0049-02	OH	JC
	LTR	REVISION RECORD	ECN	DWN	CHK

DIMENSION : 0 PLC ± 1 PLC ±0.30 2 PLC ±0.20 3 PLC ±0.10 ANGLES ±	DWN O. HU 12-AUG-2003		TYCO HOLDINGS (BERMUDA) VII LTD. TAIWAN BRANCH	
MATERIAL SEE NOTE	CHK A. WU 12-AUG-2003		NAME	
FINISH SEE NOTE	APVD J. CHENG 12-AUG-2003	PRODUCT SPEC 108-57217		2.0 MM PITCH CRIMP CONTACT
	APPLICATION SPEC 114-57D13	LOC DW	SIZE A ₃	DRAWING NO C-1470106
	WEIGHT	SCALE	SHEET 1 OF 2	

THIS INFORMATION IS CONFIDENTIAL AND IS DISCLOSED TO YOU ON CONDITION THAT NO FURTHER DISCLOSURE IS MADE BY YOU TO OTHER THAN AMP PERSONNEL WITHOUT WRITTEN AUTHORIZATION FROM AMP (TAIWAN) LTD. DIMENSIONS IN MILLIMETERS. DO NOT SCALE PRINT.

PRINT DIST
 DW



CARTON
 582mm(L)X 588mm(W)X 112mm(H)
 40,000 TERMINALS / CARTON

REEL
 DIAMETER: $\phi 580$ mm.
 10,000 TERMINALS / REEL

	SEE SHEET 1.			
LTR	REVISION RECORD	ECN	DWN	CHK
				DATE

DIMENSION : 0 PLC \pm 1 PLC \pm 2 PLC \pm 3 PLC \pm ANGLES \pm	DWN	O. HU	TYCO HOLDINGS (BERMUDA) VII LTD. TAIWAN BRANCH	
	CHK	A. WU		
MATERIAL SEE NOTE	APVD	J. CHENG	NAME 2.0 MM PITCH CRIMP CONTACT	
	PRODUCT SPEC	12-AUG-2003		
FINISH SEE NOTE	APPLICATION SPEC		LOC	SIZE
	WEIGHT		DW	A ₃
			DRAWING NO	REV
			C-1470106	A
			SCALE	SHEET
			--	2 OF 2