

THIS DRAWING IS UNPUBLISHED. RELEASED FOR PUBLICATION  
 © COPYRIGHT 2009 Tyco Electronics Japan G.K. ALL RIGHTS RESERVED.

LOC  
J

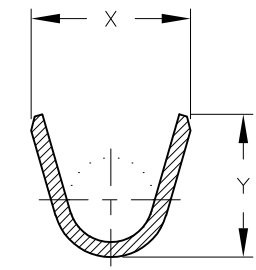
DIST  
-

REVISIONS					
P	LTR	DESCRIPTION	DATE	DWN	APVD
	G	REVISED PER ECR-15-011723	08AUG2015	Y.O	E.T

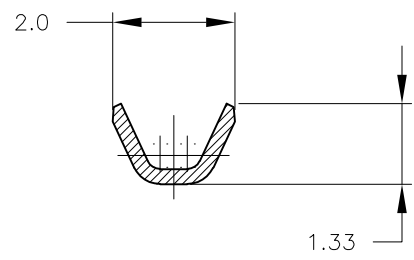
WIRE RANGE ID MARK  
 S : 1318106-1  
 S1 : 1-1318106-1  $\triangle$

CONTACT ID MARK

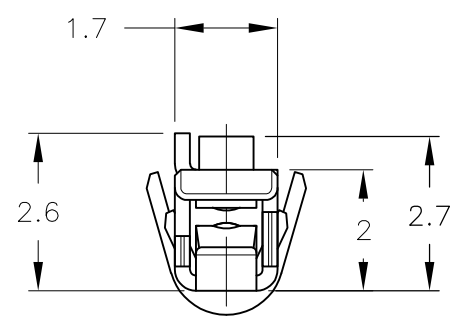
TOOLING ID MARK  
 ON OUTER SURFACE



SECT B-B

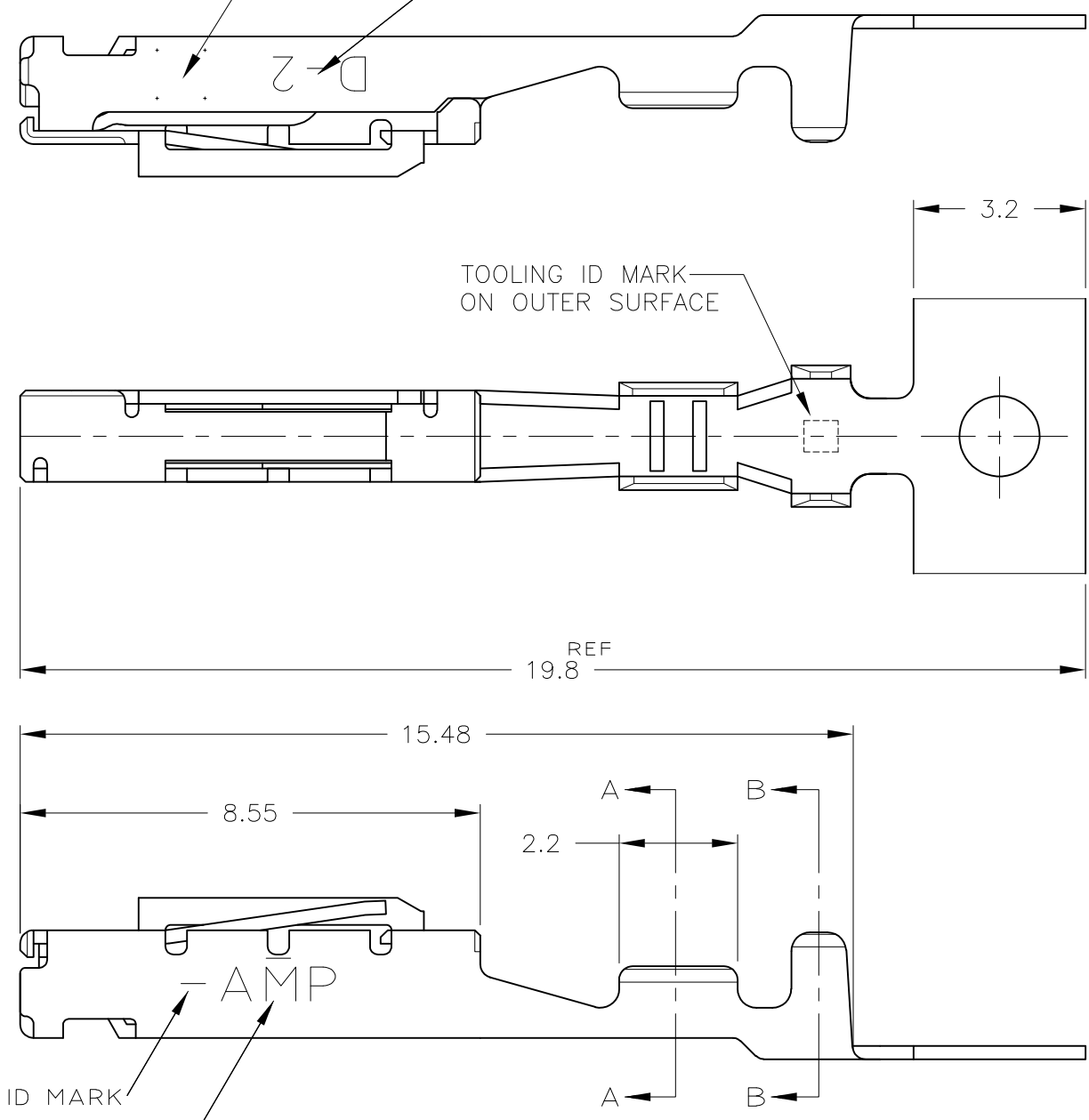


SECT A-A



TOOLING ID MARK

AMP MARK



- 1 . FINISH (CONTACT AREA) :  
0.38  $\mu$ mMIN GOLD PLATING OVER NICKEL PLATING.
- $\triangle$  . APPLICABLE WIRE FOR THIS CONTACT IS UL1051 ONLY.  
(SEE 114-5258 AS DETAIL)

AWG #24 $\triangle$	2.20~2.25	2.70	3.06	1-1318106-1
AWG #28~#24	0.88~1.50	2.36	2.63	1318106-1
WIRE RANGE	INSULATION DIA	Y	X	PART NO

THIS DRAWING IS A CONTROLLED DOCUMENT.		DWN K.IKEDA 07DEC1998	TE Connectivity														
DIMENSIONS: mm		CHK N.MATSUBARA 07DEC1998															
TOLERANCES UNLESS OTHERWISE SPECIFIED:		APVD I.HASEGAWA 07DEC1998	NAME DYNAMIC 2000 SERIES REC CONTACT S-SIZE														
<table border="0"> <tr><td>0 PLC</td><td>± 0.4</td></tr> <tr><td>1 PLC</td><td>± 0.4</td></tr> <tr><td>2 PLC</td><td>± 0.4</td></tr> <tr><td>3 PLC</td><td>± 0.4</td></tr> <tr><td>4 PLC</td><td>± 0.4</td></tr> <tr><td>ANGLES</td><td>± 5°</td></tr> </table>		0 PLC	± 0.4	1 PLC	± 0.4	2 PLC	± 0.4	3 PLC	± 0.4	4 PLC	± 0.4	ANGLES	± 5°	PRODUCT SPEC 108-5619	RESTRICTED TO		
0 PLC	± 0.4																
1 PLC	± 0.4																
2 PLC	± 0.4																
3 PLC	± 0.4																
4 PLC	± 0.4																
ANGLES	± 5°																
MATERIAL CUPPER ALLOY		FINISH SEE NOTE	APPLICATION SPEC 114-5258	SIZE A3	CAGE CODE 00779												
CUSTOMER DRAWING			DRAWING NO C-1318106	SCALE 8:1	SHEET 1 OF 1												
			REV G														