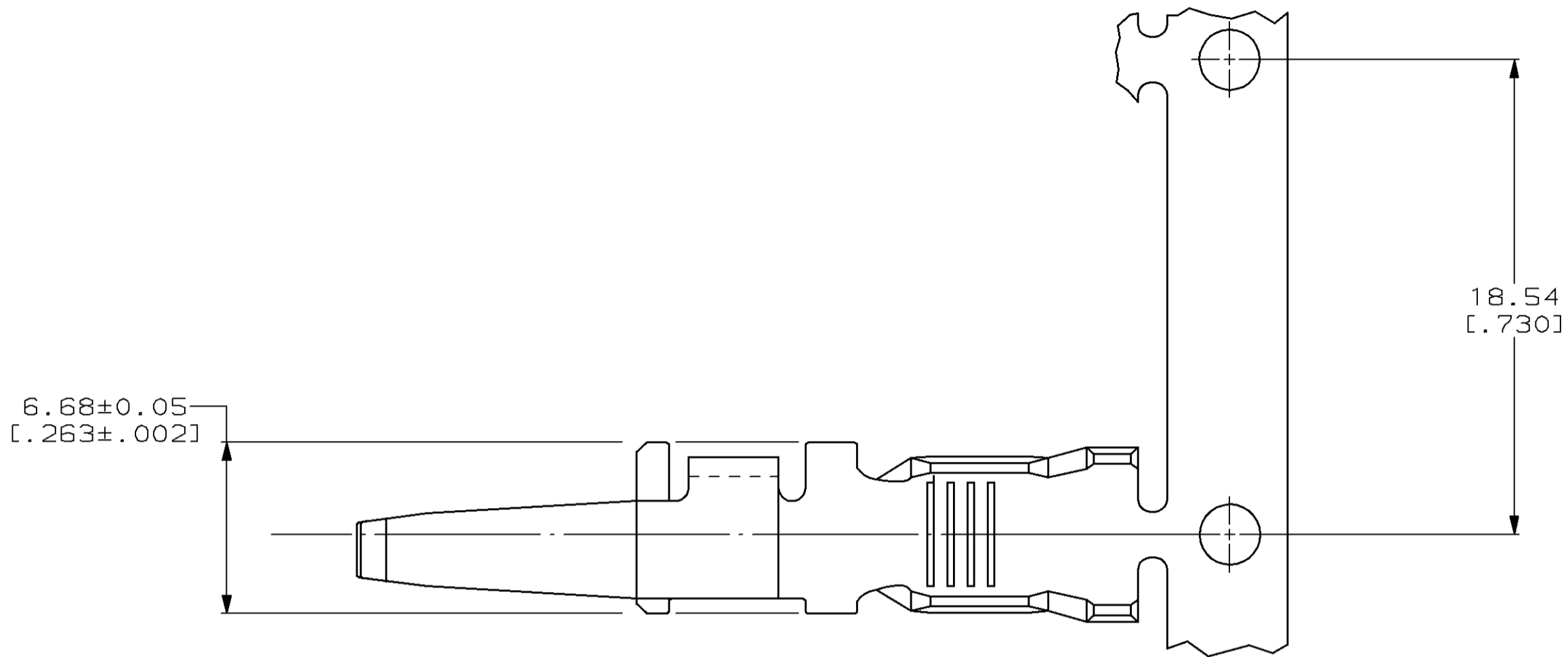
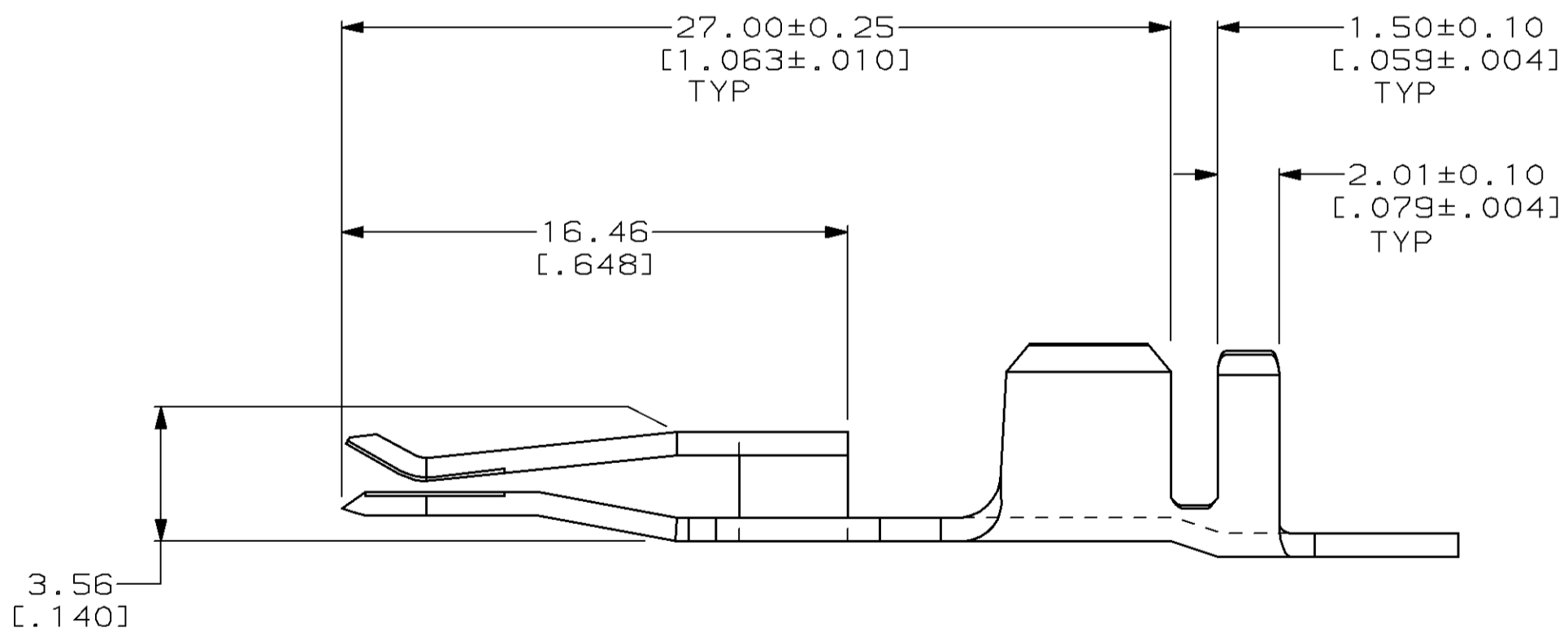


THIS DRAWING IS UNPUBLISHED. RELEASED FOR PUBLICATION  
 © COPYRIGHT 19 BY AMP INCORPORATED. ALL RIGHTS RESERVED.

LOC		DIST		REVISIONS			
P	LTR	DESCRIPTION		DATE	DWN	APVD	
	0	RLSE PER NPR 29 WAS 96-3951-1-2		20 MAR 97	-	-	
	A	ADDED -2 PER EC 0320-396-97		18 NOV 97	MB	MM	



- 1 ZIRCONIUM COPPER ALLOY
- 2 2.54µm [.000100] MIN TIN.
- 3. WIRE BARREL WILL ACCEPT ONE 10 OR 12 AWG COPPER WIRE OR COMBINATIONS OF 12 THRU 18 AWG COPPER WIRE, INSULATION Ø 3.70-4.30 [.146-.169].



REVERSE	788110-2
STANDARD	788110-1
REELING	PART NUMBER

THIS DRAWING IS A CONTROLLED DOCUMENT.		DWN C. OBERMAN 20 MAR 97	AMP Incorporated Harrisburg, PA 17105-3608	
DIMENSIONS: mm [INCHES]		CHK R. STONE 20 MAR 97	NAME M. McALONIS	
TOLERANCES UNLESS OTHERWISE SPECIFIED:		APVD M. McALONIS 20 MAR 97	PRODUCT SPEC 108-1373	
0 PLC ±-		APPLICATION SPEC 114-6051	SIZE A2	CAGE CODE 00779
1 PLC ±-		WEIGHT -	DRAWING NO C=788110	RESTRICTED TO -
2 PLC ±0.13 [.005]		CUSTOMER DRAWING	SCALE 5:1	SHEET 1 OF 1
3 PLC ±-			REV A	
4 PLC ±-				
ANGLES ±-				
FINISH				

788110