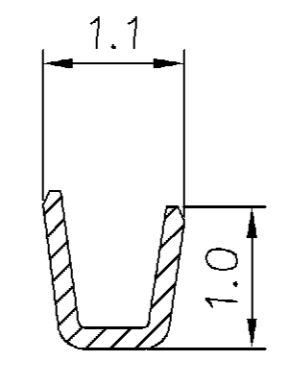
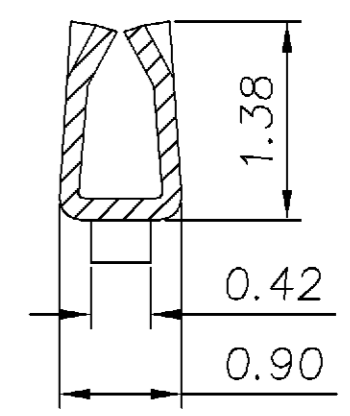


SEC A-A



SEC B-B



SEC C-C

NOTE:

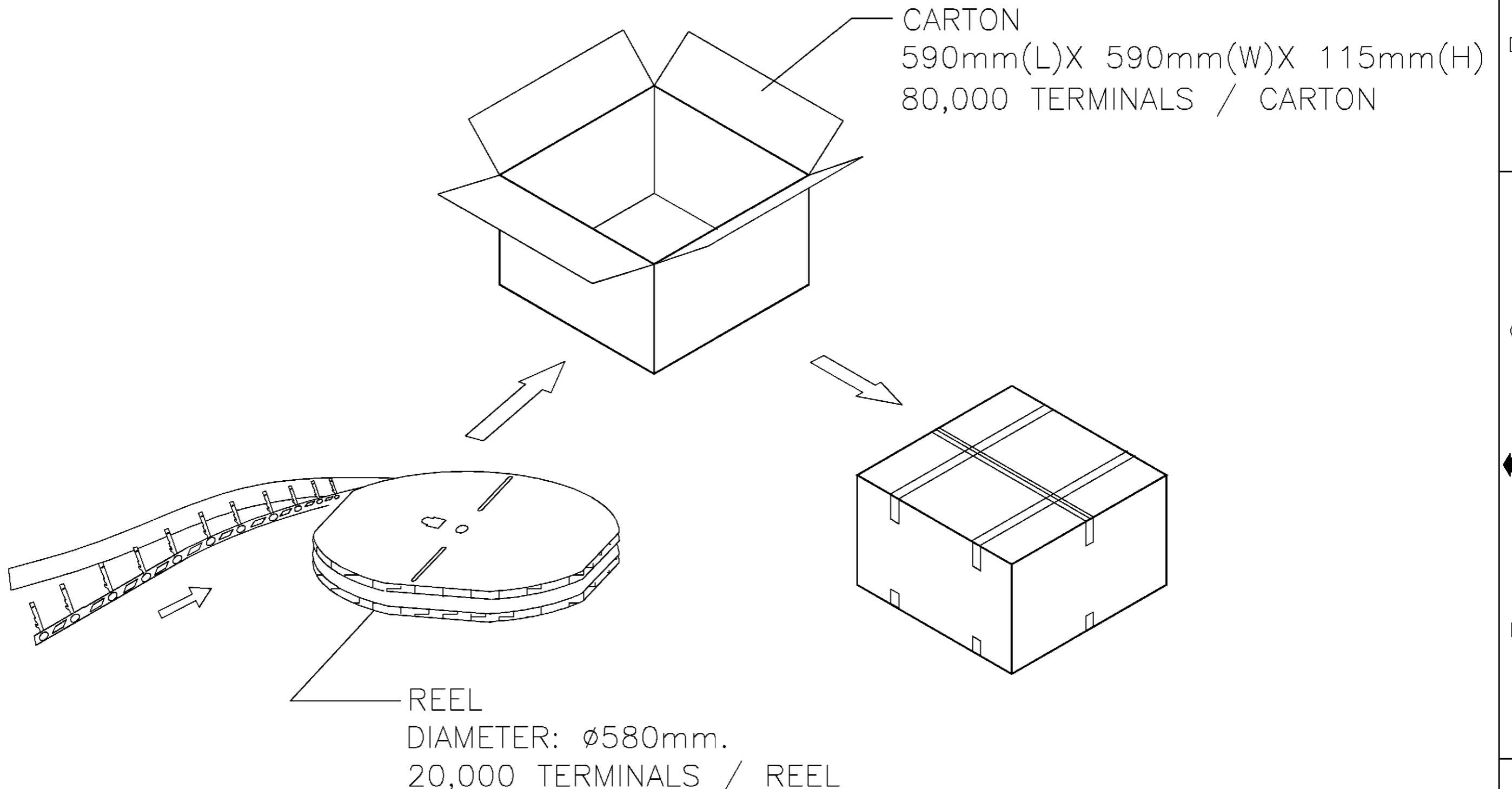
1. MATERIAL:
 TERMINAL: PHOSPHOR BRONZE, THICKNESS=0.2mm.
2. FINISH:
 TERMINAL: 2.0um MIN. TIN(MATTE) PLATE OVER 0.75um MIN. NICKEL UNDERPLATE OVER ALL.
3. APPLY HOUSING PART NO: X-440146-X.
4. APPLICATION SPECIFICATION: 114-57016.
5. APPLICABLE WIRE RANGE: AWG #28-#32.

1734193-1

PART NUMBER

TOLERANCES UNLESS OTHERWISE SPECIFIED: 0 PLC ± 1 PLC ±0.15 2 PLC ±0.10 3 PLC ±0.05 ANGLES ±3'	DWN O. HU 05-JUL-2004		NAME WIRE TO BOARD SOCKET, TERMINAL
	CHK S. HOU 05-JUL-2004		
MATERIAL SEE NOTE	APVD T. KE 05-JUL-2004	LOC DW A ₃ DRAWING NO C-1734193 REV P SCALE -- SHEET 1 OF 2	
FINISH SEE NOTE	QUALIFICATION TEST REPORT 501-57229 WEIGHT		

P	REVISION RECORD	REVISD PER ECO-11-005301	RK HMR DWN CHK	5APR11 DATE
---	-----------------	-----------------------------	-------------------	----------------



TOLERANCES UNLESS OTHERWISE SPECIFIED: 0 PLC ± 1 PLC ±0.15 2 PLC ±0.10 3 PLC ±0.05 ANGLES ±3'	DWN	O. HU	TE Connectivity	
		05-JUL-2004		
MATERIAL SEE NOTE	CHK	S. HOU	NAME WIRE TO BOARD SOCKET, TERMINAL	
		05-JUL-2004		
FINISH SEE NOTE	APVD	T. KE	LOC DW	
		05-JUL-2004		
	PRODUCT SPEC		SIZE A ₃	DRAWING NO C-1734193
	QUALIFICATION TEST REPORT		SCALE --	REV P
	WEIGHT		SHEET 2 OF 2	

LTR	REVISION RECORD	SEE SHEET 1.	ECO	DWN	CHK	DATE
-----	-----------------	--------------	-----	-----	-----	------