

THIS DRAWING IS UNPUBLISHED.

RELEASED FOR PUBLICATION

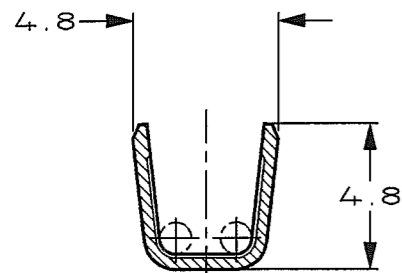
,1997

© COPYRIGHT 1995

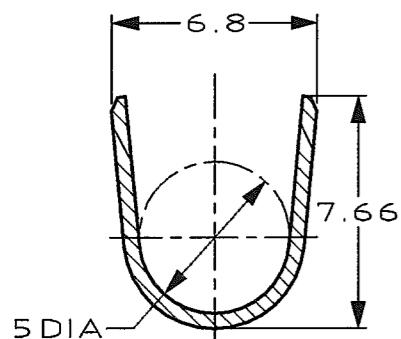
BY AMP INCORPORATED, ALL RIGHTS RESERVED.

LOC	DIST
J	

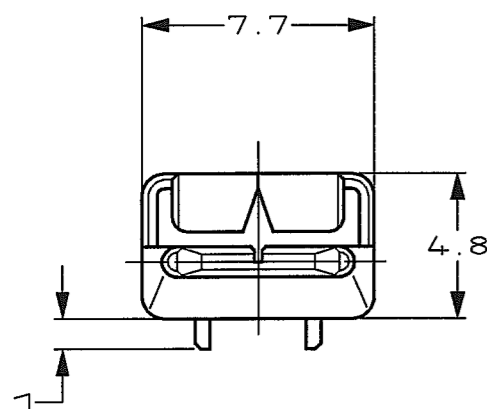
REVISIONS						
REV	DATE	DESCRIPTION	ECN	DWN	APVD	
0	27/JUN/97	RELEASED	FJ00-0992-97	K.I.K.	H.H.	
A	10/DEC/02	REVISED	FJ00-2467-02	T.S.	S.M.	



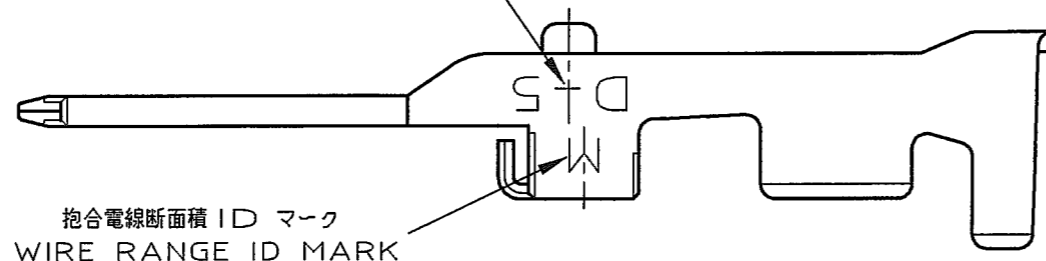
断面 "A"- "A"
SECT "A"- "A"



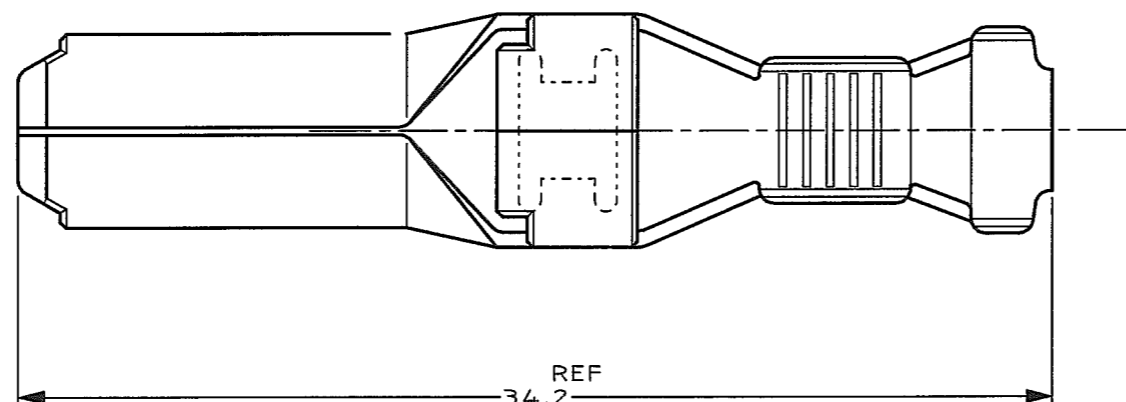
断面 "B"- "B"
SECT "B"- "B"



コンタクトIDマーク
CONTACT ID MARK



抱合電線断面積 ID マーク
WIRE RANGE ID MARK



PLATING ID NO
めっき ID NO

AMP MARK
AMPマーク

注記

- ① めっき: コンタクト: 全面Ni下地
接触部: 0.38μm MIN金めっき
- ② めっき: コンタクト: 全面Ni下地
接触部: 0.76μm MIN金めっき
- ③ めっき: コンタクト: 全面Ni下地
全面: 2.54μm MIN銀めっき

NOTES

- ① FINISH(CONTACT AREA): 0.38μm MIN GOLD PLATING OVER Ni PLATING
- ② FINISH(CONTACT AREA): 0.76μm MIN GOLD PLATING OVER Ni PLATING
- ③ FINISH(CONTACT AREA): 2.54μm MIN SILVER PLATING OVER Ni PLATING

6	③	917805-6
3	②	917805-3
2	①	917805-2
めっき ID NO PL ID CODE	仕上 FINISH	バラ状 L/P (P/N)型番

WIRE RANGE 抱合電線断面積	3.08/5.5sq AWG #12/#10	INSULATION DIA 被覆外径	4/5.2 mm φ
-----------------------	---------------------------	------------------------	------------

THIS DRAWING IS A CONTROLLED DOCUMENT FOR AMP INCORPORATED. IT IS SUBJECT TO CHANGE AND THE CONTROLLING ENGINEERING ORGANIZATION SHOULD BE CONTACTED FOR THE LATEST REVISION.		DWN 26/JUN/'97 K.IKEDA	Tyco Electronics AMP K.K. Kawasaki, Japan	
DIMENSIONS: 単位 寸 mm		CHK 27/JUN/'97 N.MATSUBARA	Tyco Electronics	
TOLERANCES UNLESS OTHERWISE SPECIFIED 一般公差 10% : ±0.3 30% : >10 : ±0.35 10% : >30 : ±0.4 ANGLE : ±3°		APVD 27/JUN/'97 I.HASEGAWA	NAME TAB CONTACT "M" SIZE タブコンタクト "M" サイズ <DYNAMIC D-5000 SERIES>	
MATERIAL 銅合金 (COPPER ALLOY)		PRODUCT SPEC 108-5453	SIZE A3	DRAWING NO 917805
FINISH SEE TABLE 表参照		APPLICATION SPEC 114-5206	CAGE CODE 00779	SCALE 4-1
CUSTOMER DRAWING		WEIGHT 1.85g	SHEET 1 OF 1 REV A	