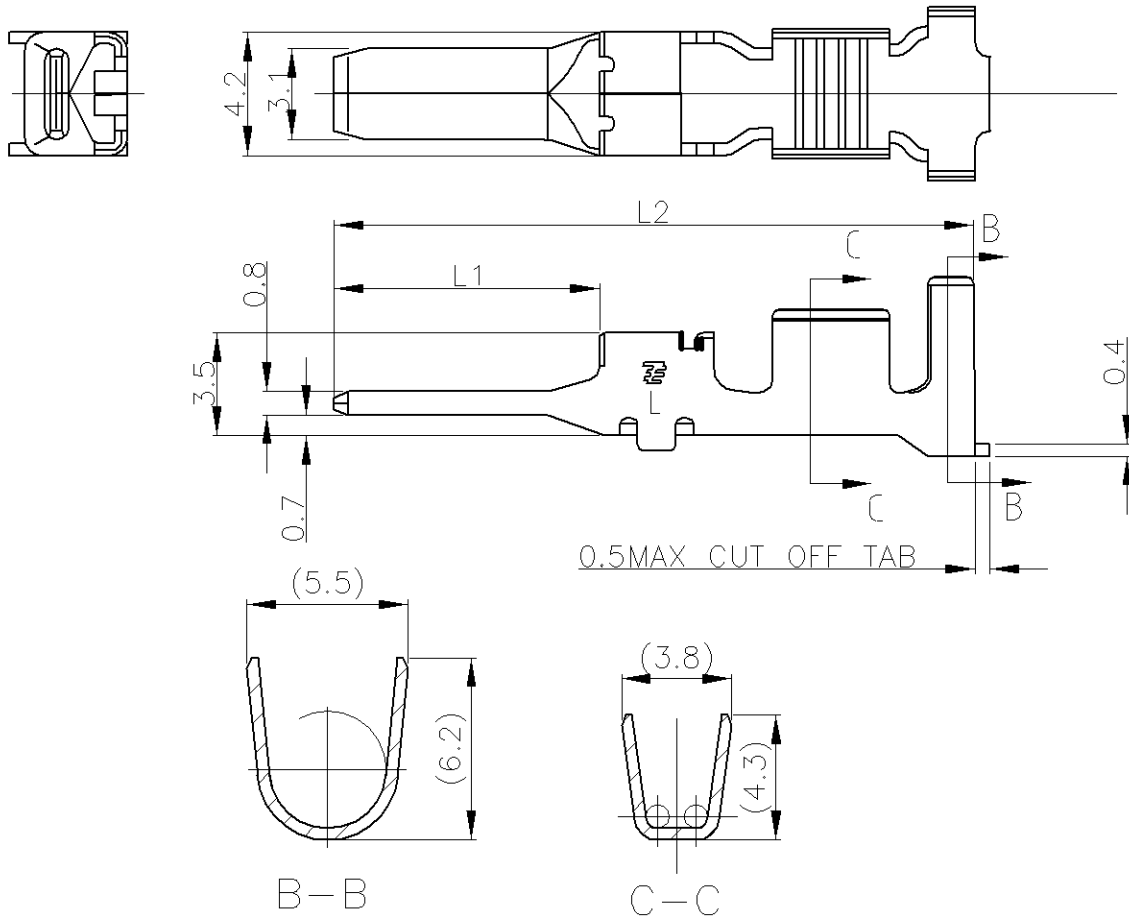


LOC	DIST	REVISIONS					
J	—	P	LTR	DESCRIPTION	DATE	DWN	APVD
		B		REVISED	11MAY2011	M.M	N.Y



L SIZE

- 注)
- 1.一般公差：±0.25
 - 2.材料：2材料：銅合金全面Niめっき1.3μm以上
接点部金めっき0.38μm以上めっき
 - 3.適用電線：AWG#14-#12(被覆外径φ2.9~φ4.1)

- NOTES)
- 1.GENERAL TOLERANCE:±0.25
 - 2..MATERIAL:COPPER ALLOY,FINISH:OVER NI PLATING 1.3μm MIN.
(CONTACT AREA) 0.38 m MIN GOLD PLATING
 - 3.APPLICABLE WIRE:AWG#14-#12 (INS DIAφ2.9~φ4.1)

25.5	12.75	1-1747500-2
21.8	9.05	1747500-2
L2	L1	PART NUMBER

THIS DRAWING IS UNPUBLISHED. MAY, 2011. ALL RIGHTS RESERVED.

© COPYRIGHT 2011 By Tyco Electronics Japan G.K.

RELEASED FOR PUBLICATION MAY, 2011. ALL RIGHTS RESERVED.

TE Connectivity logo

TE Connectivity

DYNAMIC D-4200 TAB CONTACT
L SIZE LOOSE PIECE

SIZE A4 CAGE CODE 00779 DRAWING NO C-1747500 RESTRICTED TO —

SCALE 4:1 SHEET 1 of 1 REV B

DIMENSIONS:	DWN	26AUG2004	MATERIAL	COPPER ALLOY	FINISH	SEE NOTE
mm	T.KUDO					
TOLERANCES UNLESS OTHERWISE SPECIFIED:	CHK	26AUG2004				
SEE NOTE	D.MITSUGI					
0 PLC ± -	APVD	26AUG2004				
1 PLC ± -	D.MITSUGI					
2 PLC ± -	PRODUCT SPEC	108-78182	NAME			
3 PLC ± -	APPLICATION SPEC	114-5369	DYNAMIC D-4200 TAB CONTACT L SIZE LOOSE PIECE			
4 PLC ± -	WEIGHT	—	SIZE	A4	CAGE CODE	00779
ANGLES ± -	CUSTOMER DRAWING		DRAWING NO	C-	1747500	RESTRICTED TO