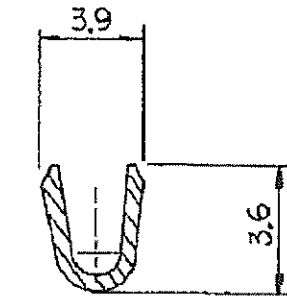
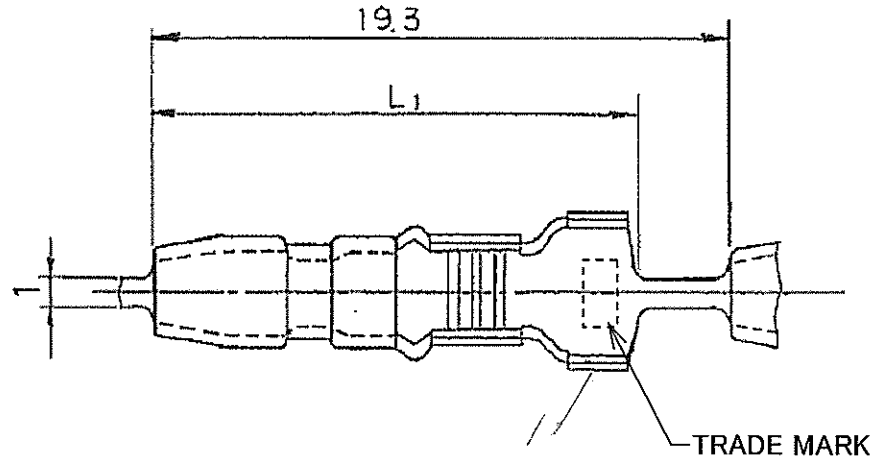
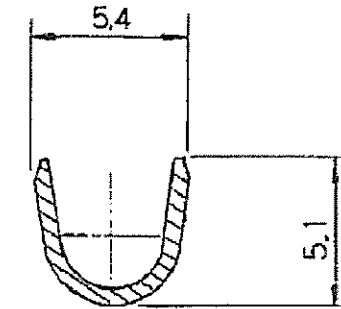


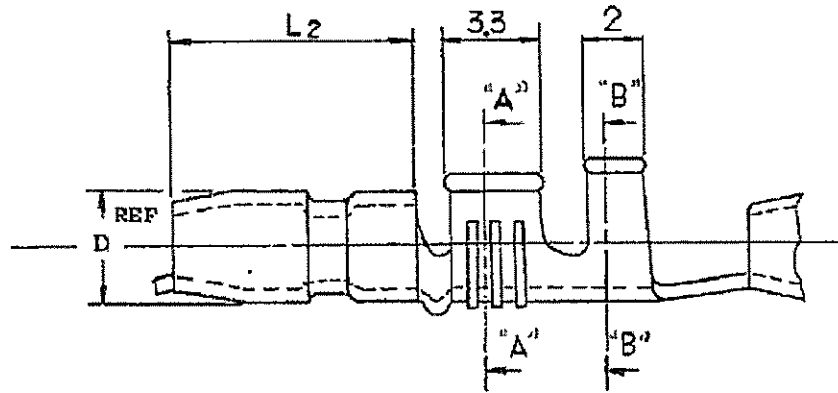
C-170002



SECT. A-A



SECT. B-B



NOTE

- △ THESE ITEMS ARE FOR USE OTHER THAN IN JAPAN.
- ② GENERAL TOLERANCES; ±0.4
- ③ OBSOLETE PARTS: OBSOLETE CIS STREAMLINING PER D.RENAUD/D.SINISI

注記

- △ 海外向け製品。
- ② 一般公差; ±0.4

QTY/REEL	PROD SPEC NO.	MATERIAL	FINISH
7000	108-5003	BRASS	PRE-TIN
15000	108-5003	PHOS-BZ	POST-TIN
15000	-5003		
15000	-5004		POST-TIN
15000	-5004	PHOS-BZ	
20000	-5003	BRASS	
25000	-5004		
25000	-5003		
20000	-5003		POST-TIN
20000	-5004		POST-TIN
20000	-5004		
7000	-5004		
5000	-5003		
7000	-5003		POST-TIN
7000	108-5004	BRASS	POST-TIN

OBSOLETE	△
OBSOLETE	△
OBSOLETE	△
OBSOLETE	△

PART NO. 170002-2		LOOSE PCS NO. 170020-1		LI DIM	L2 DIM	D DIM	QTY/REEL	PROD SPEC NO.	MATERIAL	FINISH
WIRE RANGE		INSULATION DIA.		NAME		SHUR PLUG				
25-27 AWG #14		2.5-3.8 mm		シエアプラグ						
MATERIAL		FINISH		SIZE		LOC	NO.			
SEE TABLE		SEE TABLE		C		J	C-170002			
DR. H. Retani 2/11/85		DE		REV. 2/95		REV. R2		SHEET 1-1		

R2	REVISED PER ECO-11-005030	RK	HMR	22MAR11
LTR	REVISION RECORD	DR.	CHK.	DATE