

4

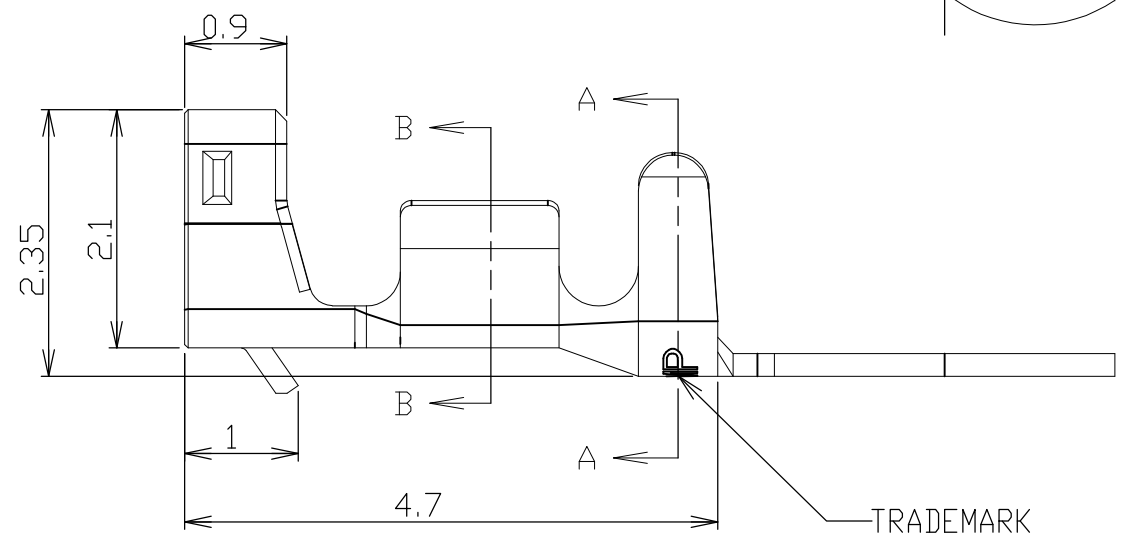
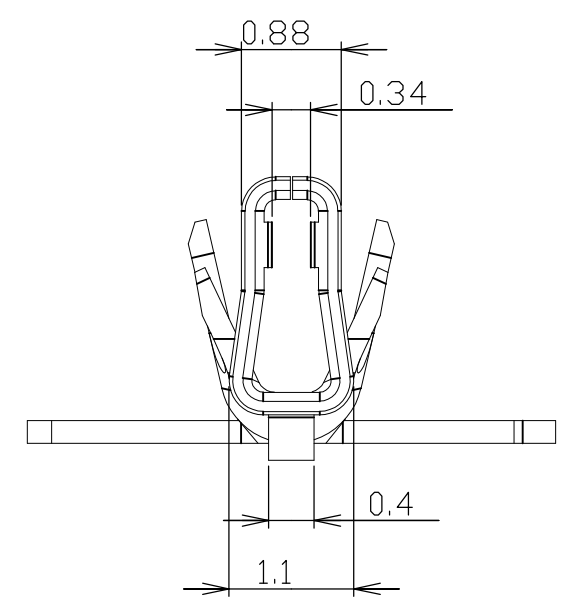
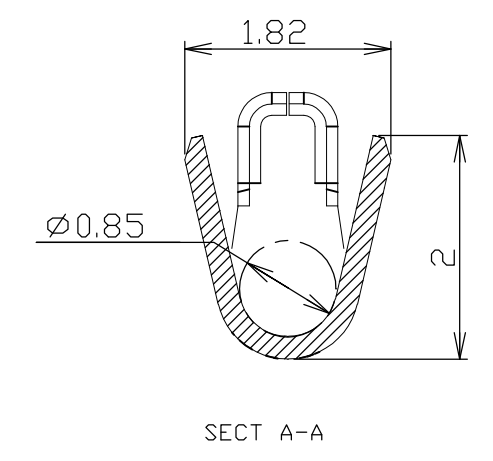
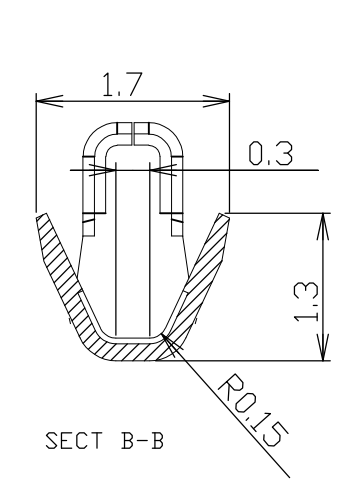
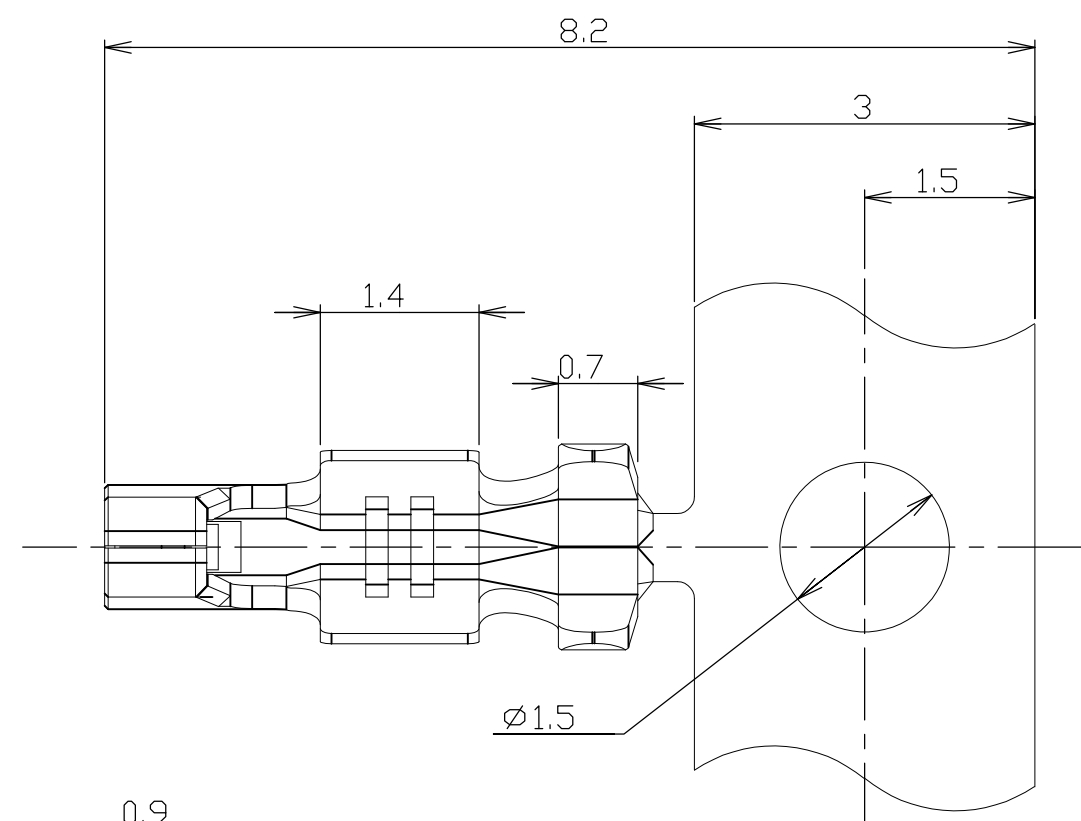
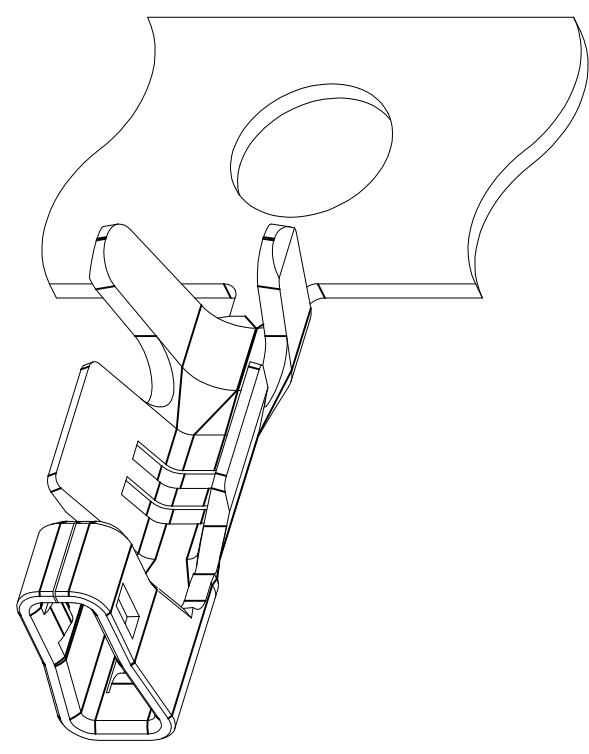
3

2

1

THIS DRAWING IS UNPUBLISHED. RELEASED FOR PUBLICATION
 © COPYRIGHT - By - ALL RIGHTS RESERVED.

LOC	DIST	REVISIONS					
ES	00	P	LTR	DESCRIPTION	DATE	DWN	APVD
		C1		REVISED PER ECO-11-005033	25MAR11	RK	HMR



NOTES:
 1. LOOSE PIECE CONTACT P/N:353918-1
 2. USE WITH HOUSING P/N:X-353908-X

353907-1 AS SHOWN

GENERAL TOLERANCE

10 ≥	: ±0.2
30 ≥ > 10	: ±0.25
100 ≥ > 30	: ±0.3
ANGLES: ±3°	

THIS DRAWING IS A CONTROLLED DOCUMENT.

DIMENSIONS:	TOLERANCES UNLESS OTHERWISE SPECIFIED:
mm	
	0 PLC ±-
	1 PLC ±-
	2 PLC ±-
	3 PLC ±-
	4 PLC ±-
	ANGLES ±-
MATERIAL	FINISH
PHOS-BRONZE, 0.2mm THK	PRE-TIN

WIRE RANGE 0.22mm ² ~ 0.08mm ² (AWG#24~AWG#28)		INSULATION DIA Ø1.05~Ø0.85	
DWN H.HOSHINO 26.APR'97	TE Connectivity AMP MINI COMMON TERMINATED (CT) CONNECTOR 1.5mm PITCH RECEPTACLE CONTACT(AWG#24~#28), CRIMP TYPE		
CHK J.TANIGAWA 26.APR'97			
APVD WL CHOO	NAME	SIZE	CAGE CODE
PRODUCT SPEC 108-60025		DRAWING NO	RESTRICTED TO
APPLICATION SPEC 114-5245	WEIGHT 0.02g/ea	A300779	C-353907
CUSTOMER DRAWING		SCALE NON	SHEET 1 OF 1
		REV C1	