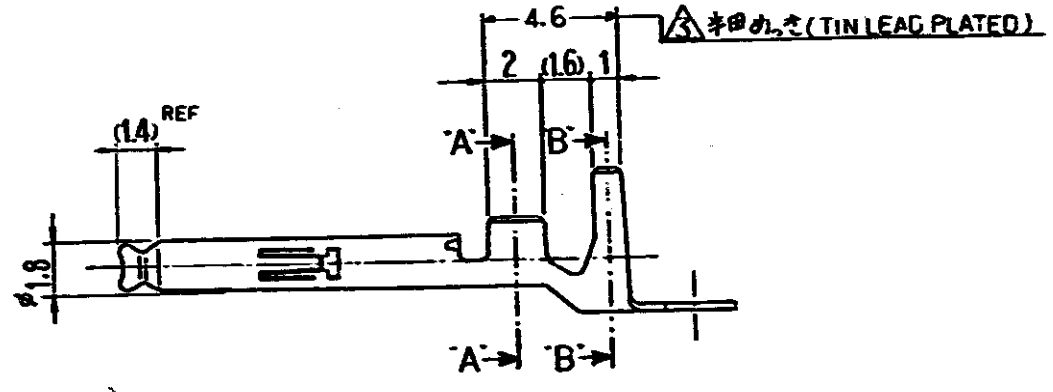
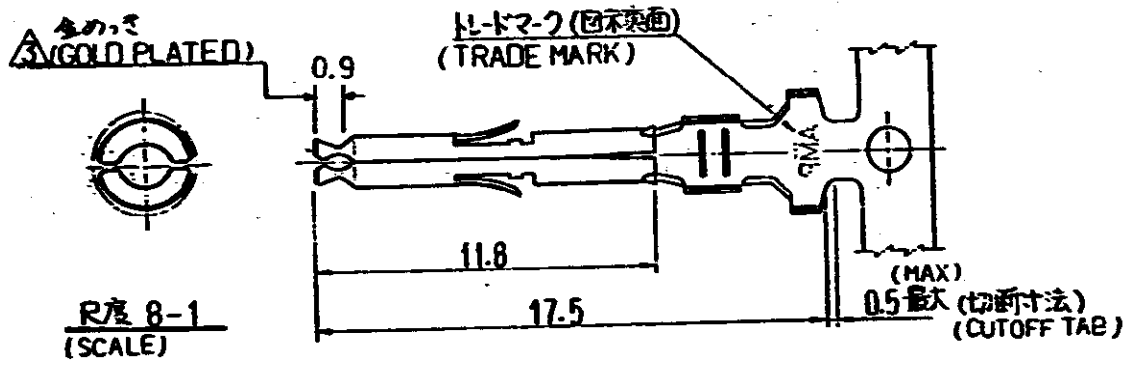


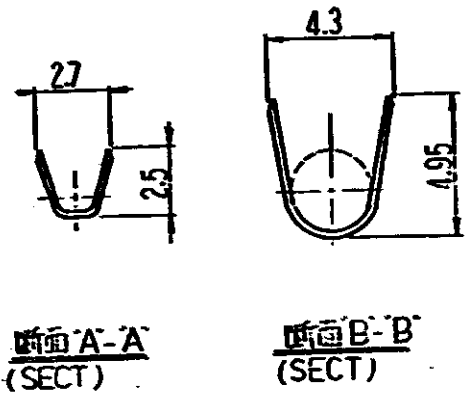
PART NUMBER  
C-171637

**△** GOLD PLATED 0.76<sup>MIN</sup> ON CONTACT AREA, TIN LEAD PLATED ON BARREL AREA OVER NICKEL PLATED.



注: 1. 適用規格  
 製品規格 108-5151, 108-5138.  
 取付適用規格 114-5050  
 取扱説明書 IS-105J

- △** 2芯着面取電線  
 AWG#20 (VSF被覆外形φ2.4)×2
- △** ニッケルめき下地に、金めき(0.76<sup>μm</sup>最小厚被覆部)  
 及びバレル部 金めき



NOTES: 1. PRODUCT SPECIFICATION 108-5151, 108-5153  
 APPLICATION SPECIFICATION 114-5050  
 INSTRUCTION SHEET IS-105J

**△** APPLICABLE WIRE FOR TWO-WIRE CRIMP  
 AWG#20 (VSF INSULATION DIAMETER φ2.4)×2

**4** OBSOLETE

|   |                   |  |                   |
|---|-------------------|--|-------------------|
| 171639-1  |                   | △ 黄銅めき (板厚0.25)<br>GOLD PLATED BRASS (0.25T) | <b>4</b> 171637-3 |
| バラ端子 (LOOSE PIECE)  |                   | △ 黄銅めき (板厚0.25)<br>PRE TINNED BRASS (0.25T)  | 171637-1          |
|   |                   | 仕上げ 材料                                       | 型番 (P/N)          |
| REF. MATERIAL<br>表参照 (SEE TABLE)  |                   | TE Connectivity                              |                   |
| FIN. FINISH   |                   |  |                   |
| ELECTRICAL WIRE RANGE<br>△ 05-13 AWG#20-16  |                   | CLASS  |                   |
| MATE. INSULATION DIA.<br>20-32.24×2   |                   | TYPE   |                   |
| C2 REVISED PER ECR-15-006702  | NK PQ 29 JUL 2015 | REV. C2                                      |                   |
| LTR 変更 REVISION RECORD  | DR CHK DATE       | REV. C2                                      |                   |
| DR  | DE                | REV. C2                                      |                   |
| CHK   | APP               | REV. C2                                      |                   |
| REF. NAME: SOCKET CONTACT (MINI UNIVERSAL M-N-L)<br>ソケットコンタクト (ミニユニバーサルメテロク確達用形型コネクタ) |                   |  |                   |

単位: 1E DIMENSIONS IN MM. DO NOT SCALE PRINT