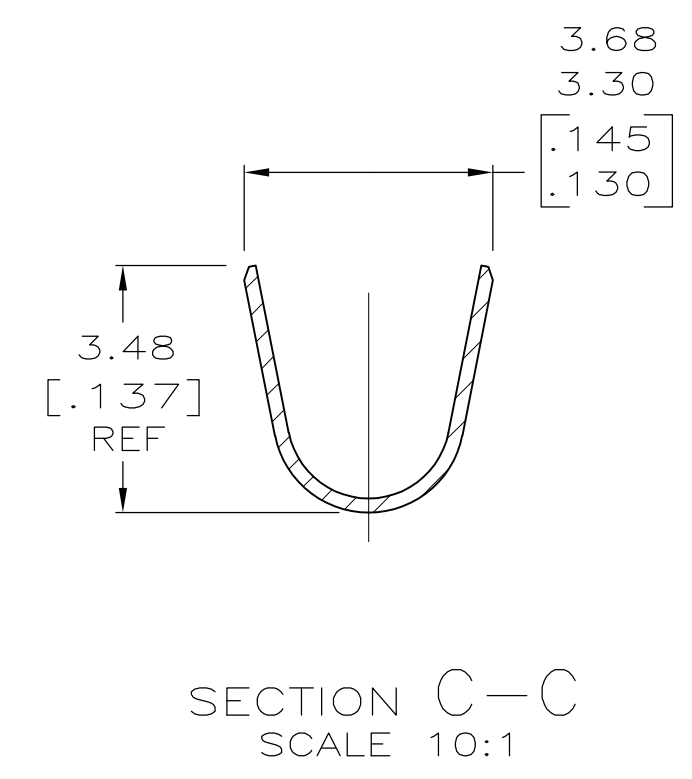
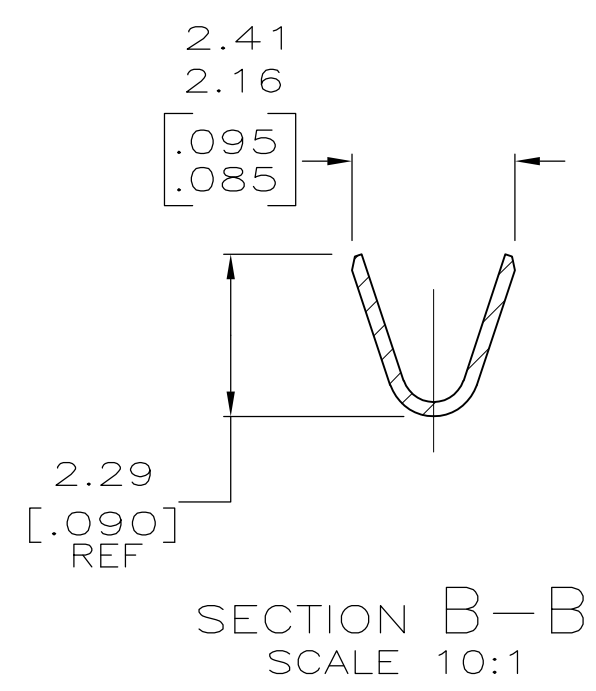
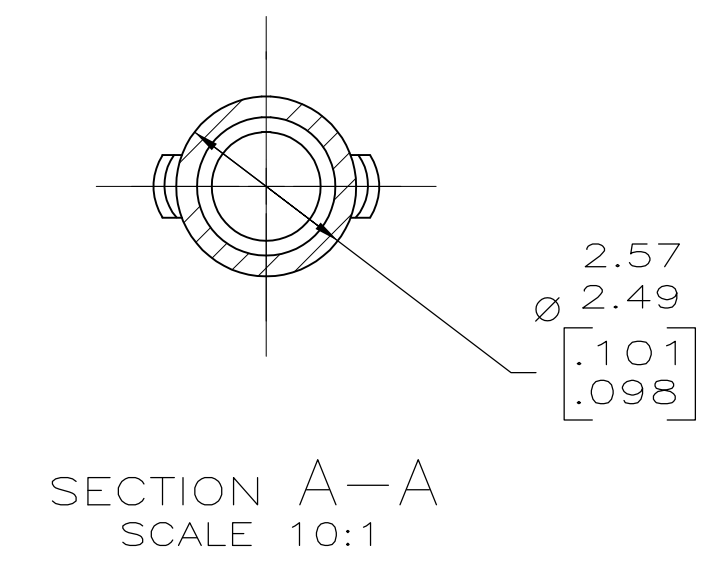
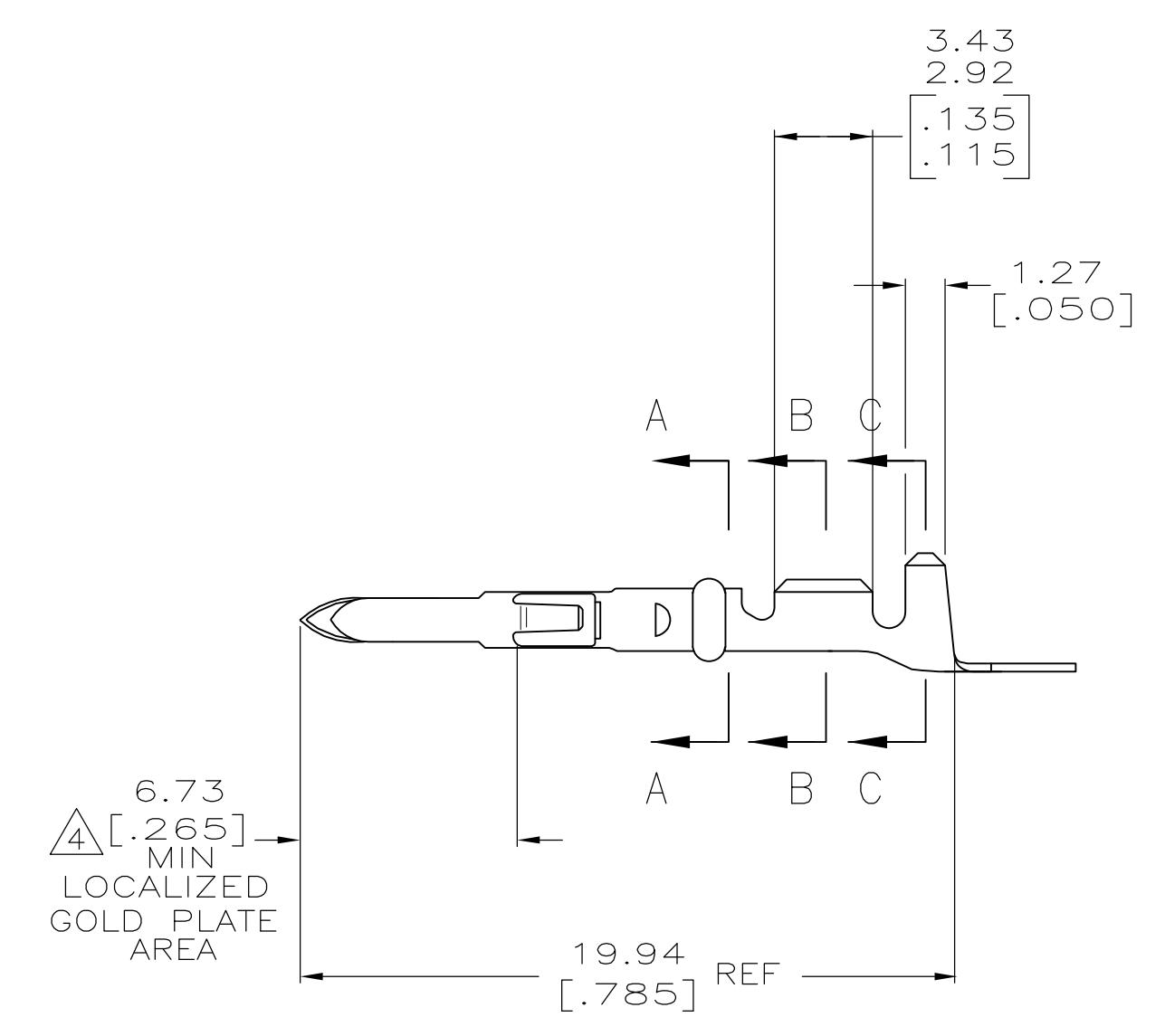
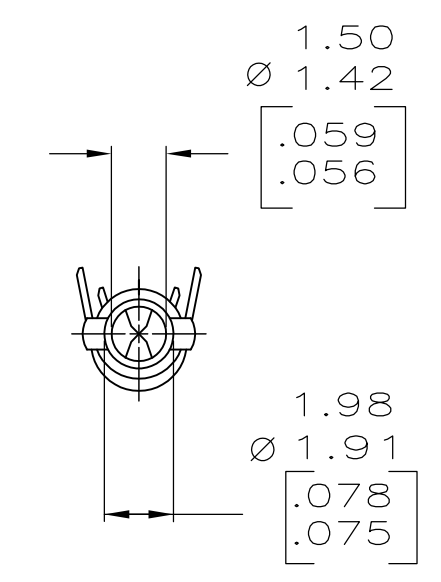
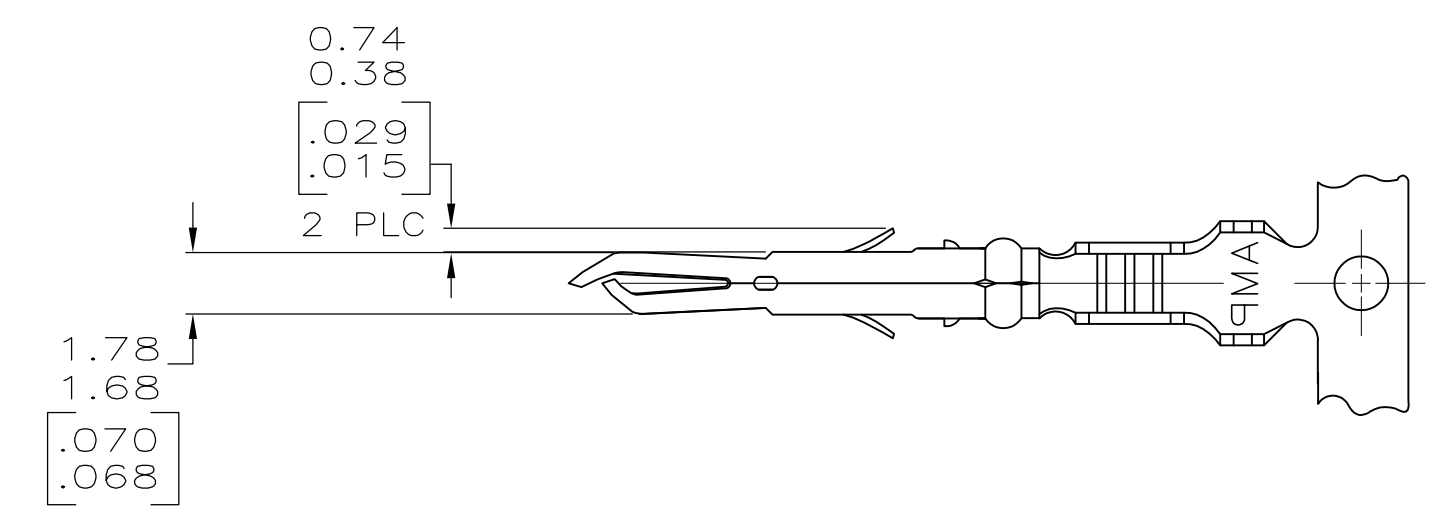


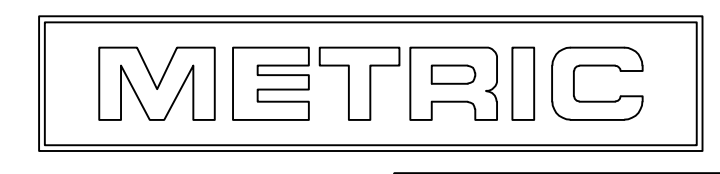
LOC		DIST		REVISIONS			
CM	52	REV	DESCRIPTION	DATE	OWN	APVD	
		L1	REVISED PER ECO-11-004917	11MAR11	RK	HMR	

- 1 WIRE RANGE: 0.12-0.9mm² (26-18 AWG).
 - 2 INSULATION RANGE: 1.27-2.92 [.050-.115] MAX. DIA.
 - 3 DIMENSIONS IN BRACKETS ARE IN INCHES.
- ⚠ TIP PLATE WITH 0.00076-0.00091 [.000030-.000036] MIN GOLD IN THE LOCALIZED GOLD PLATE AREA OVER 0.00127 [.000050] MIN NICKEL UNDERPLATE.



△ GOLD PLATE	0.20 [.008] PHOS BRZ	350967-2
PRE-TIN	0.20 [.008] PHOS BRZ	350967-1
FINISH	MATERIAL	PART NO

THIS DRAWING IS A CONTROLLED DOCUMENT.		DRW: K. SALMON 3-21-95	TE Connectivity
DIMENSIONS: MM(INCHES)		CHK: R. SWING 3-21-95	
TOLERANCES UNLESS OTHERWISE SPECIFIED:		APVD: W. LONG 3-21-95	NAME: MR PIN
0 PLC	±	PRODUCT SPEC	SIZE: A1
1 PLC	±	APPLICATION SPEC	CAGE CODE: 00779
2 PLC	±	RESTRICTED TO	DRAWING NO: C-350967
3 PLC	± 0.13 [.005]	SCALE: 5:1	SHEET 1 OF 1
4 PLC	±	REV: 1	REV: 1
ANGLES	±	CUSTOMER DRAWING	



THIS DRAWING IS A CONTROLLED DOCUMENT FOR AMP INCORPORATED. IT IS SUBJECT TO CHANGE AND THE CONTROLLING ENGINEERING ORGANIZATION SHOULD BE CONTACTED FOR THE LATEST REVISION.