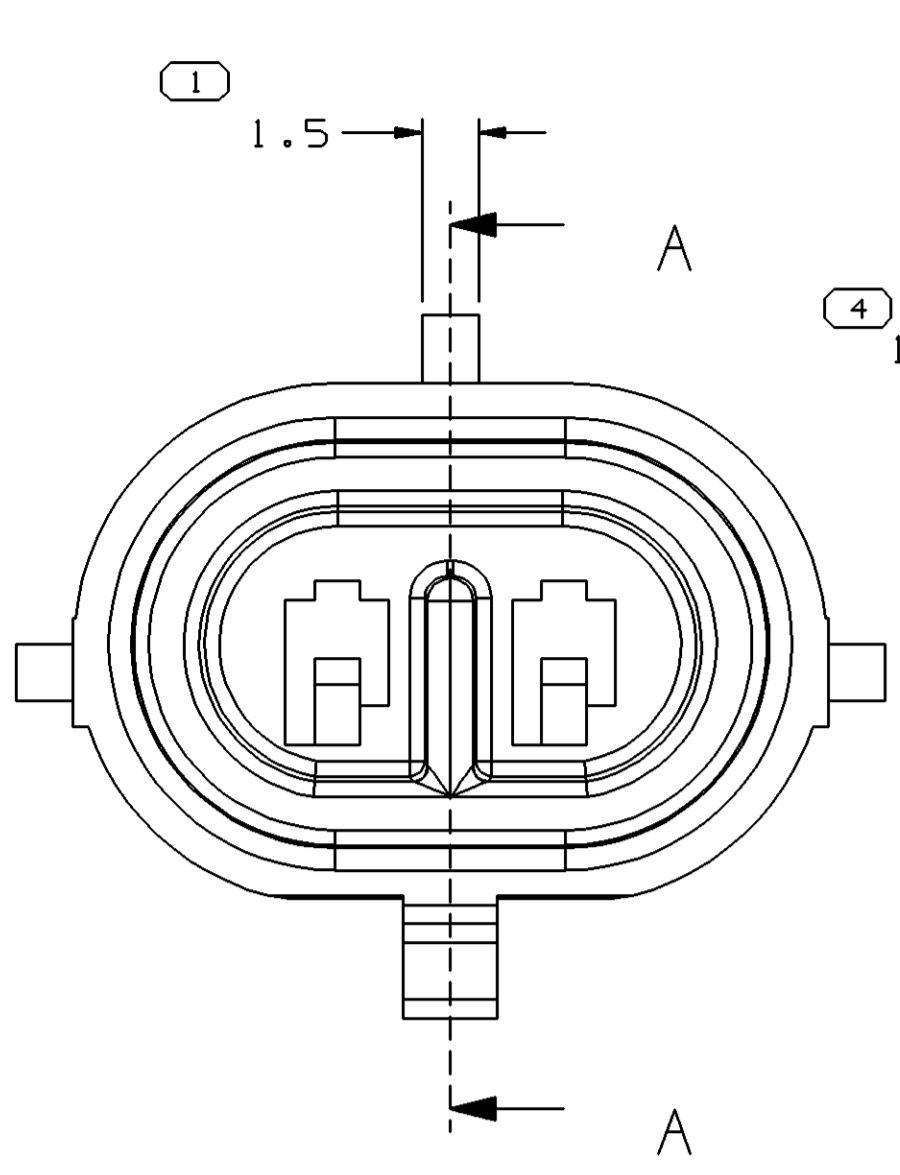
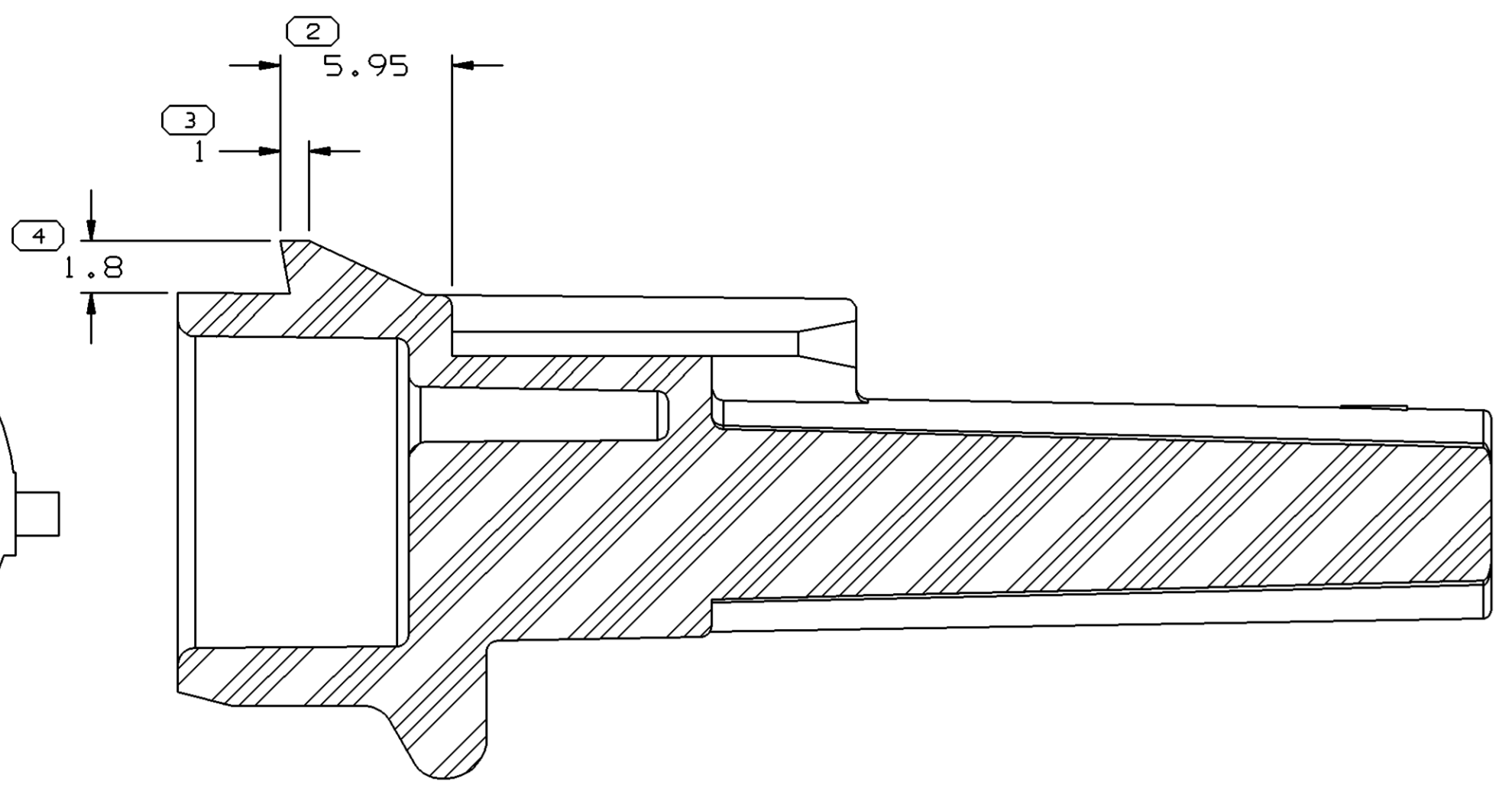


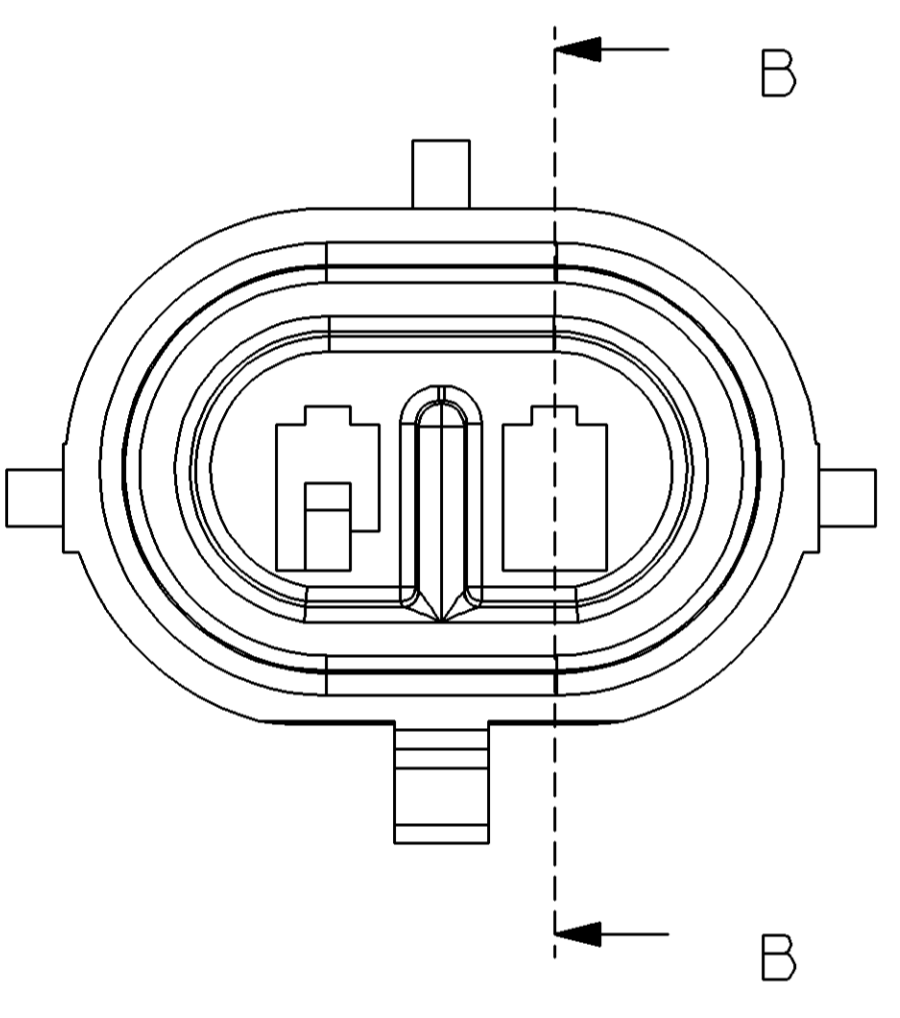
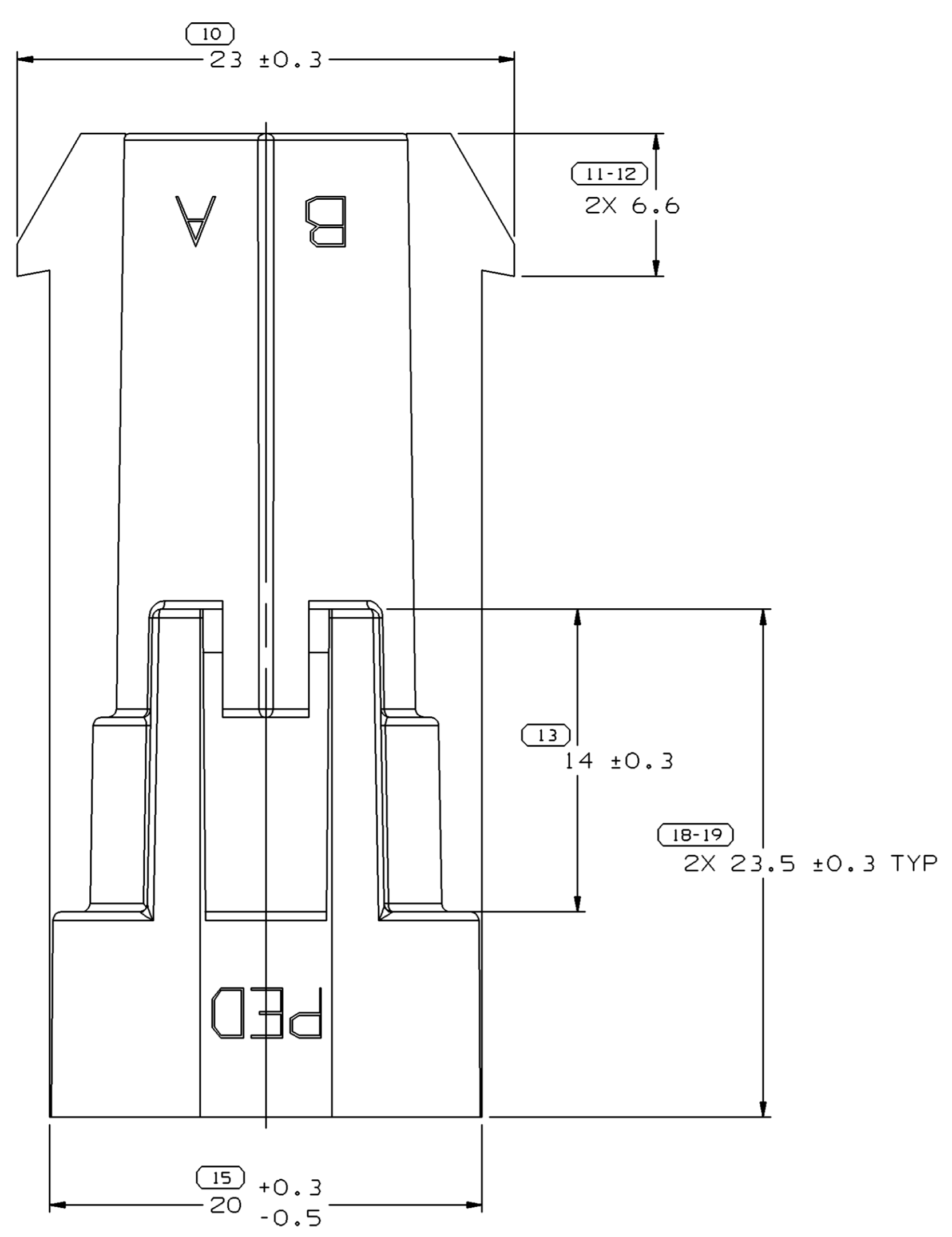
SYMBOL DEFINITION		MISSING NUMBERS		DATE				REVISION HISTORY				AUTH		DR		APVD	
A DIMENSION WITHOUT AN INSPECTION REPORT SYMBOL () DOES NOT REQUIRE INSPECTION. IT MAY BE CONTROLLED ON AN INDIVIDUAL COMPONENT DRAWING.	TOTAL NO. OF SYMBOLS ON DRAWING	17		12AP02	R	01	-	15433700	-	RELEASED	222327	LEG	BEG	1	2		
	LAST NO. USED	19		23MY05	R	02	-	12052647	-	RESTRICTED AND REPLACED BY	268283	RTV	JVM	BDS	M		
				13JN05	R	03	-	12052647	-	NON-PHYSICAL REVISION LEVEL DB WAS D1	268863	RH	RH	BDS			



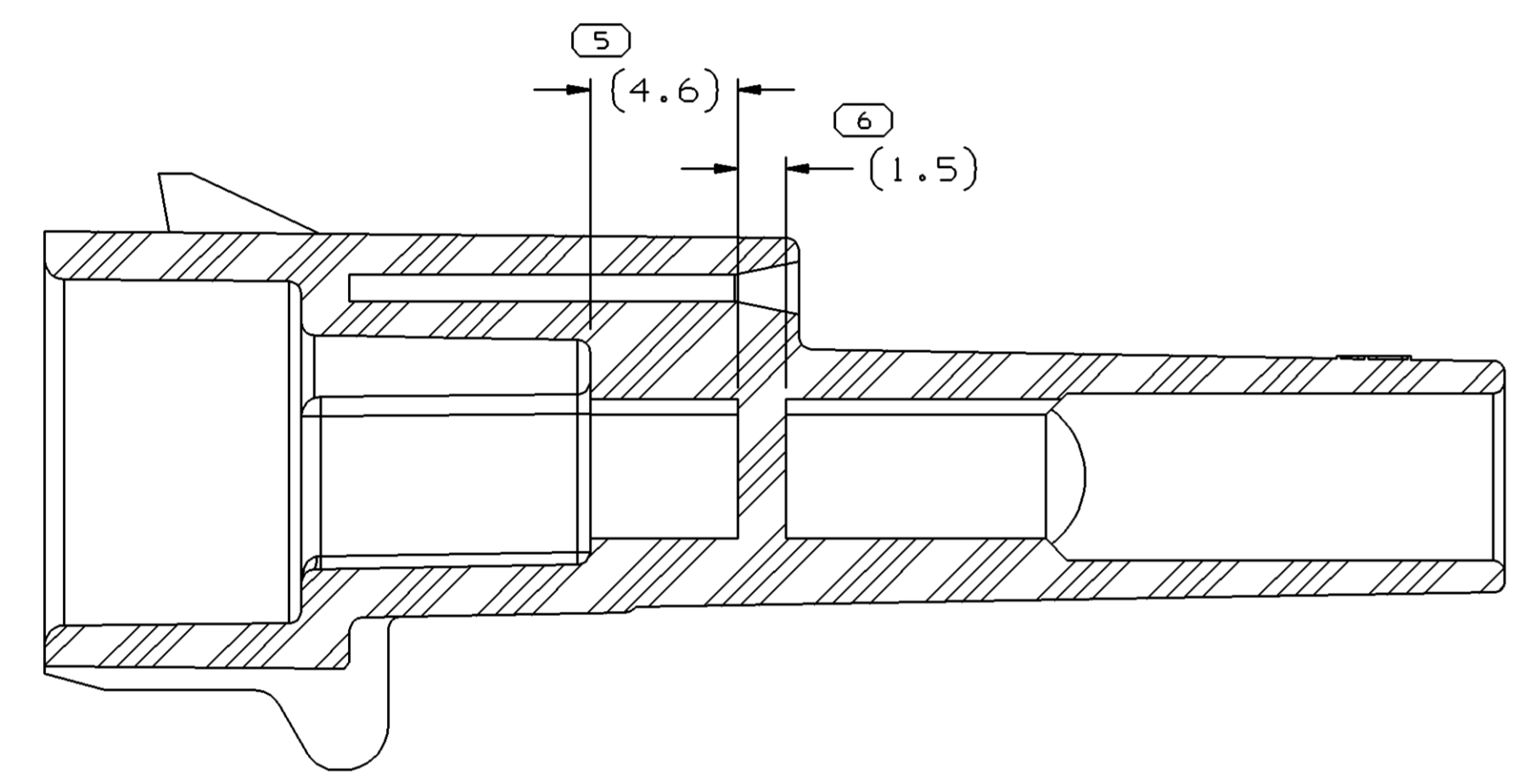
TYPE 102
SAME AS TYPE 101
EXCEPT AS SHOWN



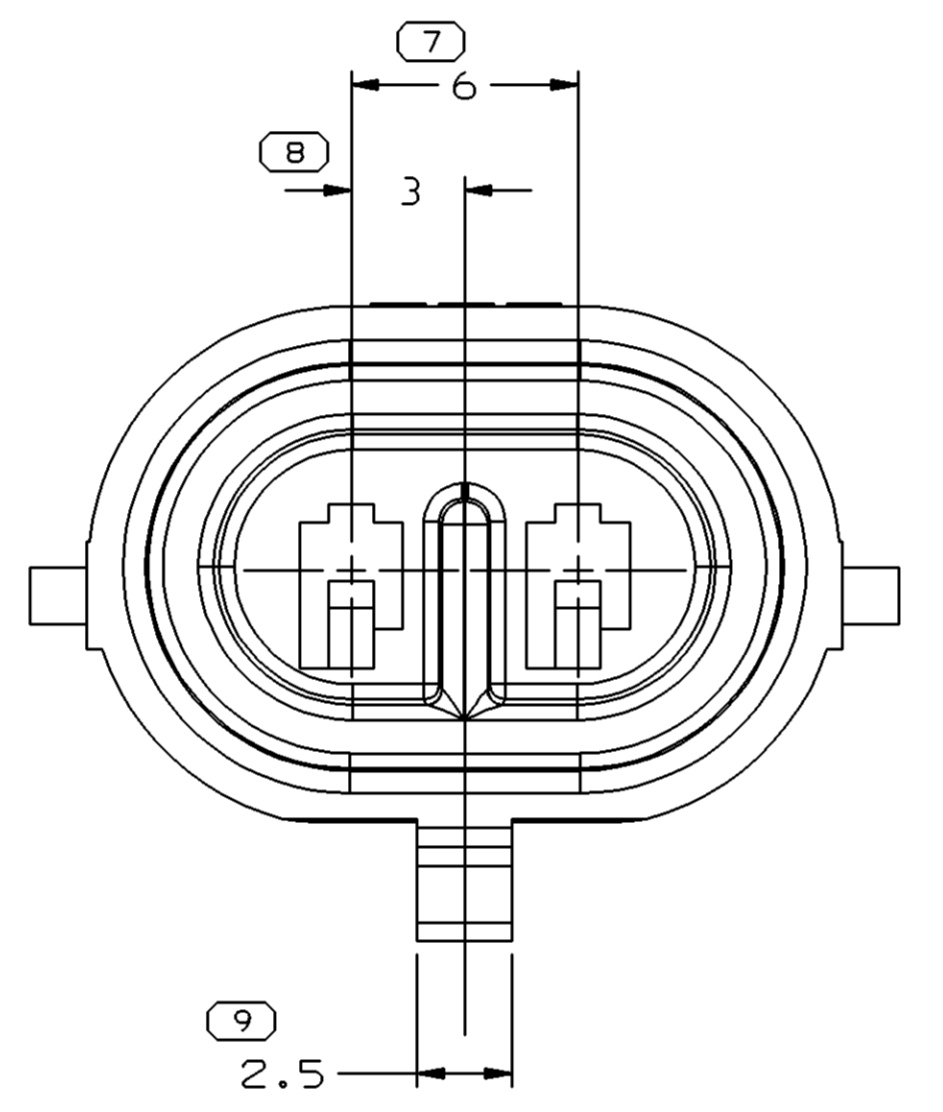
SECTION A-A



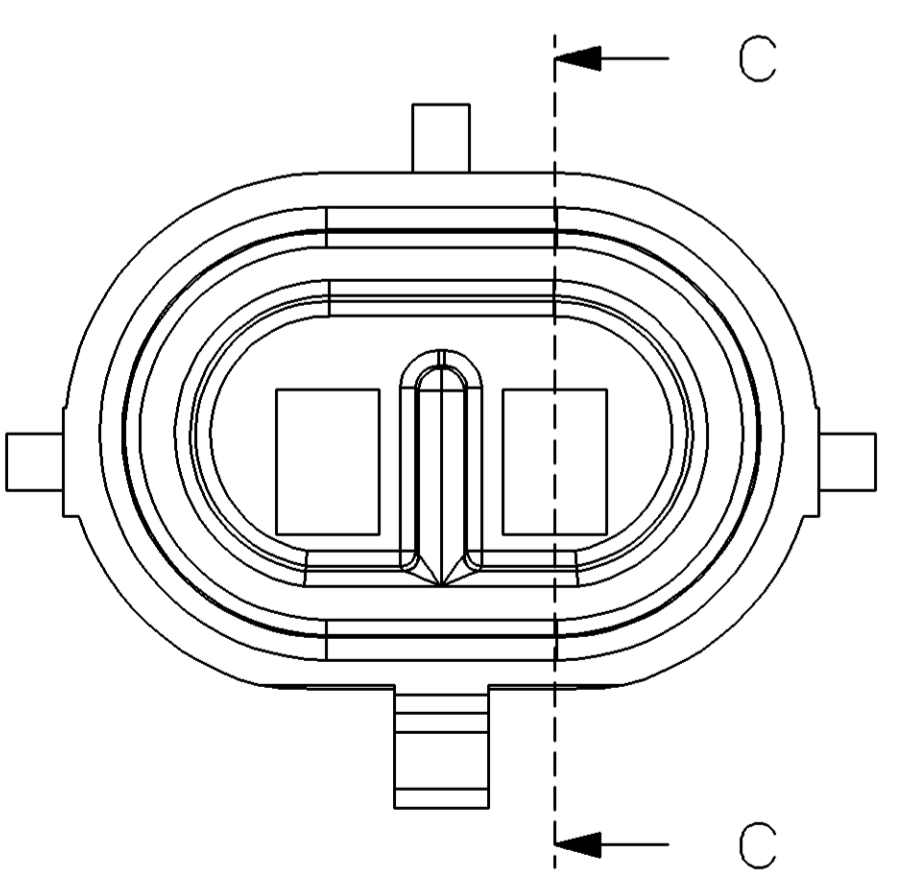
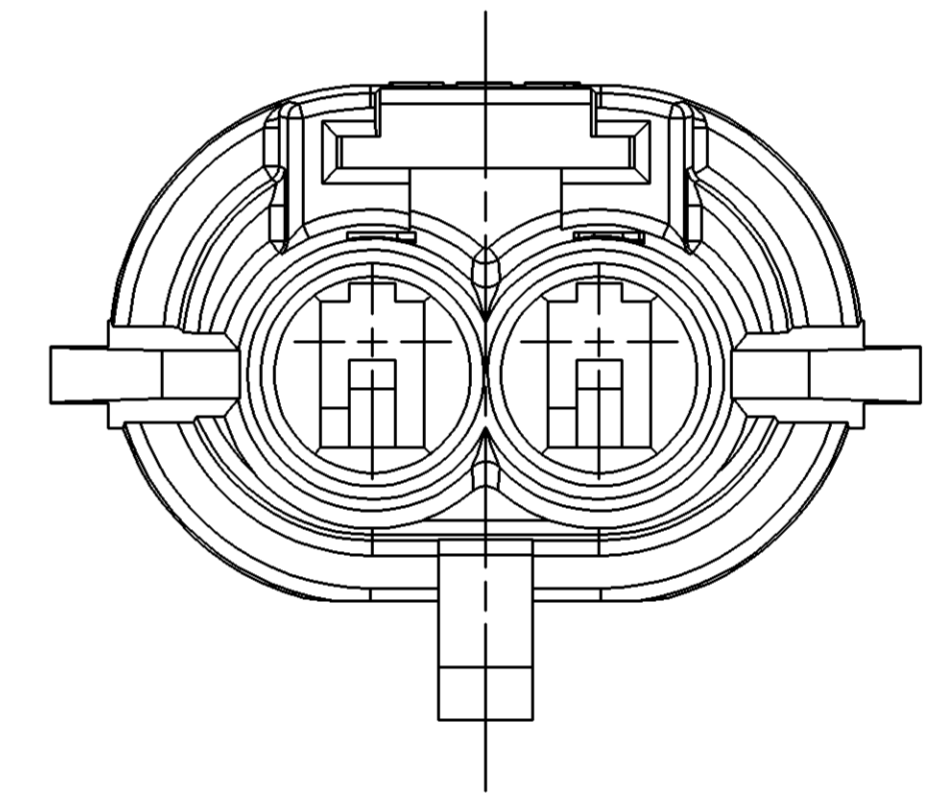
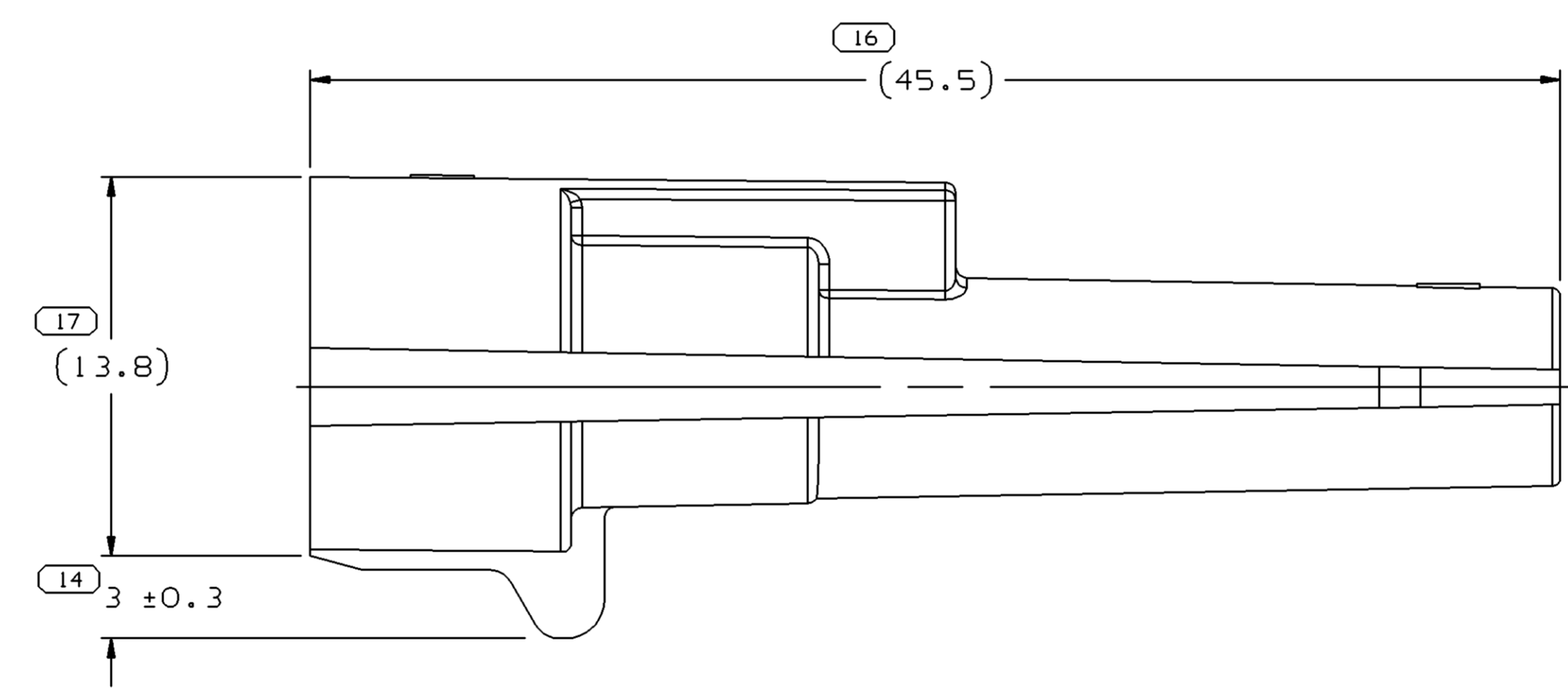
TYPE 103
SAME AS TYPE 102
EXCEPT AS SHOWN



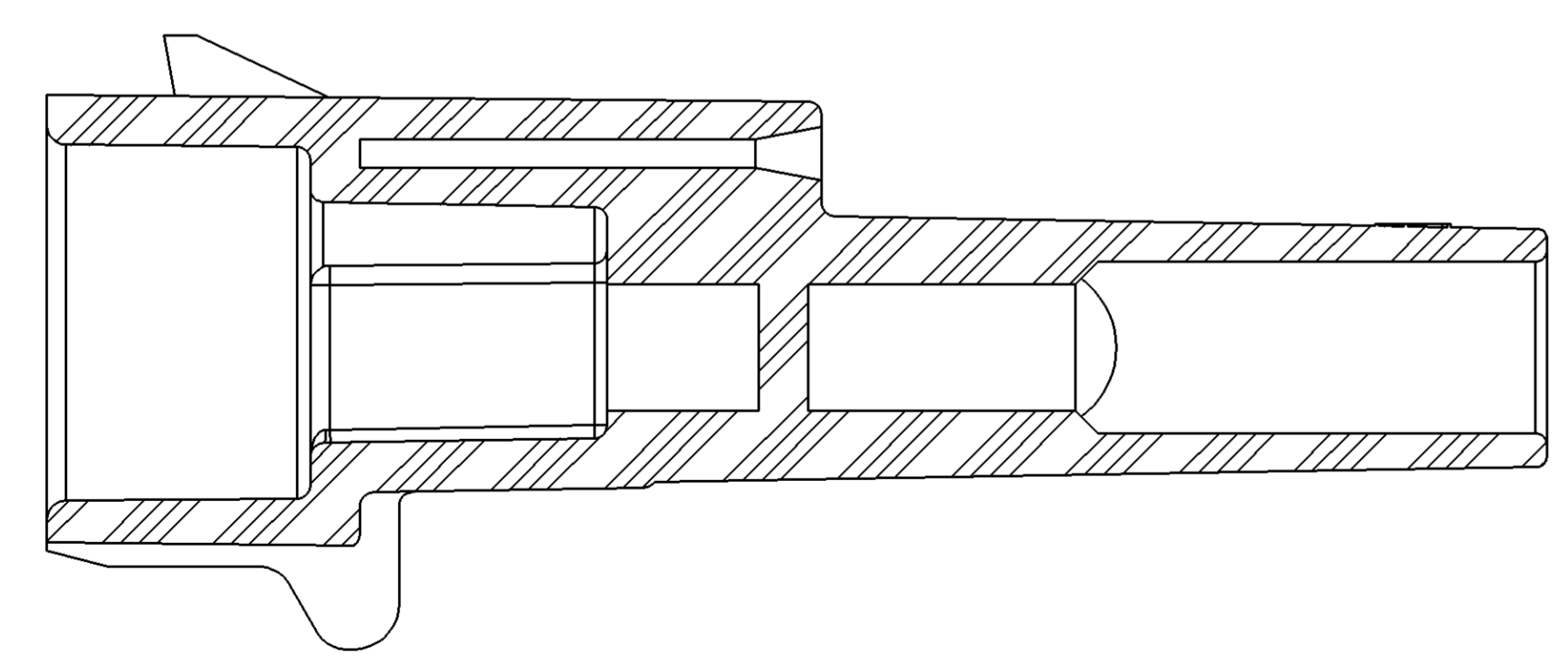
SECTION B-B



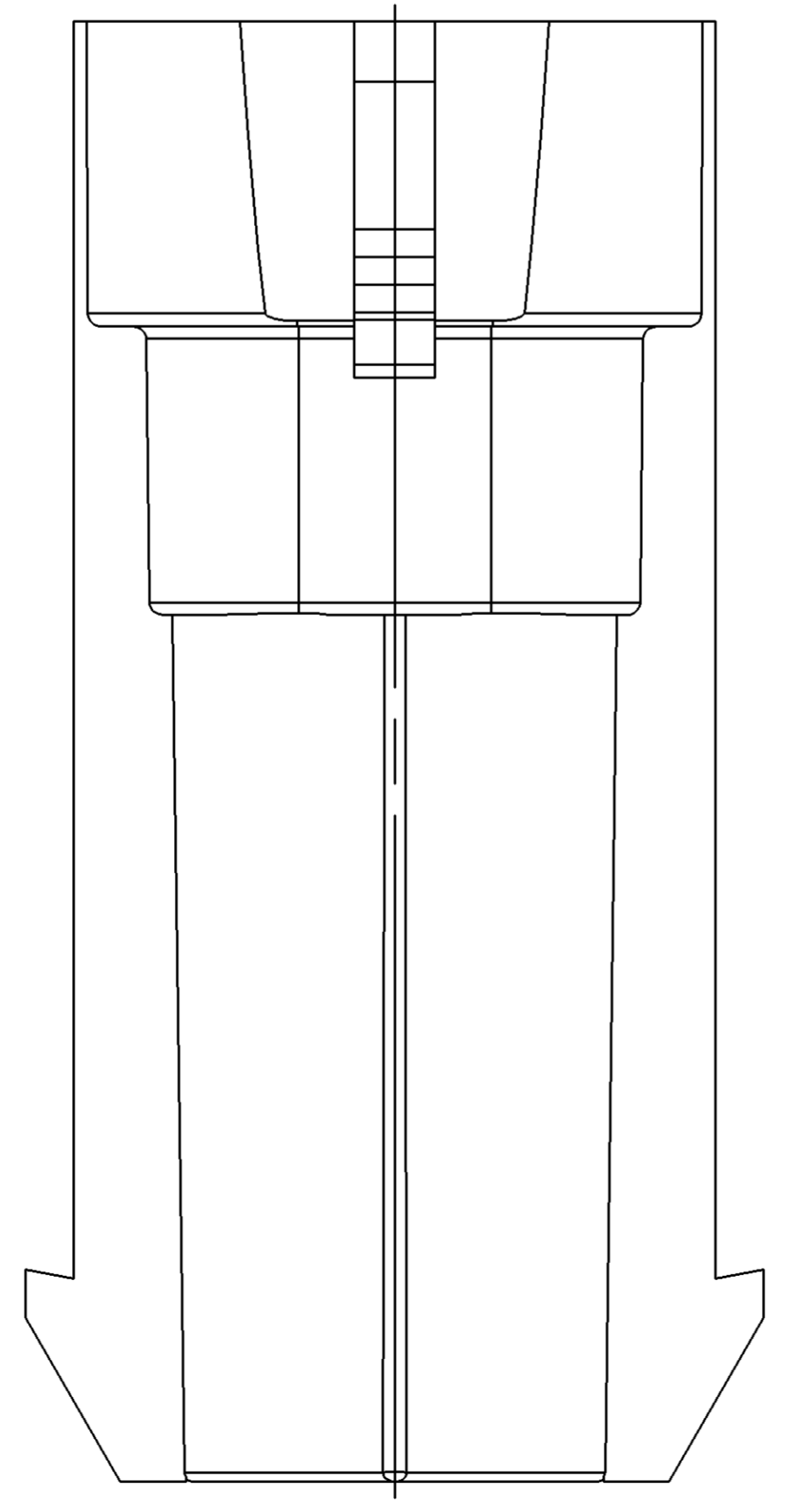
TYPE 101



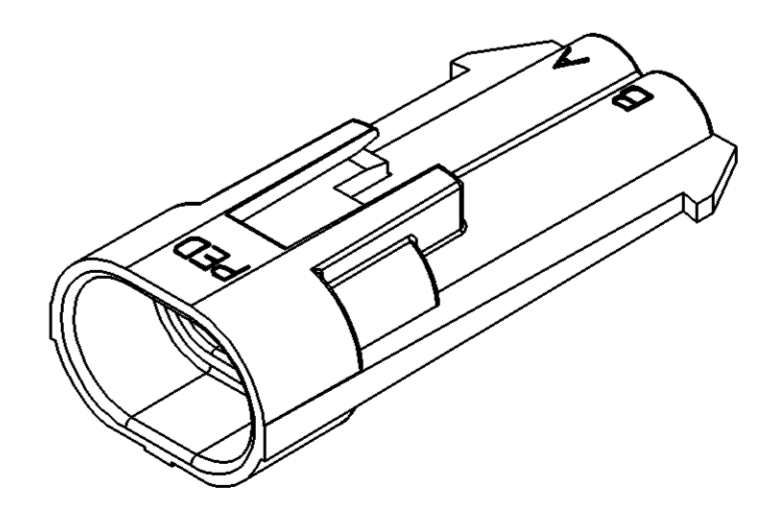
TYPE 104
SAME AS TYPE 102
EXCEPT AS SHOWN



SECTION C-C



- NOTES
- UNLESS OTHERWISE SPECIFIED AND/OR INDICATED:
DIMENSIONS ARE TO FACE OF VIEW SHOWN AND AUTOMATICALLY ROUNDED BY COMPUTER FOR INSPECTION. (SEE MATH MODEL FOR PRECISE DIMENSIONS.) FOR ALL OTHER DIMENSIONS NOT SHOWN BUT REQUIRED FOR TOOL BUILD, SEE MATH MODEL FOR PRECISE TOOL PATH DATA.
 - REFERENCE MATING COMPONENTS OR EQUIVALENT:
CONNECTOR AND SEAL ASSEMBLY 12052641
 - THIS PART ACCEPTS THE FOLLOWING COMPONENTS OR EQUIVALENT:
SECONDARY TERMINAL LOCK 12052634
TERMINAL 12045773
MAX CABLE O.D. 2.8 MM
CABLE SEAL 12048086
 - MATERIAL RECYCLING CODE PER ISO 11469. (2.31X(0.1) RAISED CHARACTERS AS SHOWN TO BE LOCATED ON ANY EXTERIOR SURFACE. OPTIONAL CONSTRUCTION TO BE NO MATERIAL RECYCLING CODE.
 - (2.31X(0.1) RAISED DELPHI CORPORATE BRAND TO BE LOCATED ON ANY EXTERIOR SURFACE, PREFERABLY VISIBLE AT FINAL ASSEMBLY. OPTIONAL CONSTRUCTION TO BE "PED" OR NO LOGO.



VIEW SCALE DOES NOT REFLECT ACTUAL PART SIZE

PART NO	REV	N/P	STATUS	TYPE	MATERIAL SPECIFICATION AND COLOR	VOL CM ³	BLOCKED CAVITIES	REPLACED BY
15433700	01	-	-	104	M3592012 PA66 HS IM GRA LT	3.592	A,B	-
12162689	A	-	OBSOLETE	103	M3592001 PA66 HS IM BLK	3.755	B	-
12162000	A	-	-	102	M3592001 PA66 HS IM BLK	3.572	NONE	-
12052647	DB	-	RESTRICTED	101	M3592001 PA66 HS IM BLK	3.568	NONE	12162000

DIMENSIONAL RANGE (MM)	TOLERANCE UNLESS OTHERWISE SPECIFIED	CHART ET
FROM > 0	> 20	> 30
TO 20	30	70
	70	100
	100	150
	150	200
	200	250
	250	300
	300	400

DELPHI
DELPHI PACKARD ELECTRIC SYSTEMS
WARREN, OH

DR	DATE
APVD1 A. LASES	28DE94
APVD2 D. BRANTINGHAM	28DE94
APVD3 D. PADILLA	27FE95
APVD4	
APVD5	

UNLESS OTHERWISE SPECIFIED
THIS DOCUMENT IS IN ACCORDANCE WITH ASME Y14.5M-1994
AS AMENDED BY THE 2003 DIMENSIONING AND TOLERANCING ADDENDUM - 1997. ALL GEOMETRIC TOLERANCES AND RELATED SURFACE PROPERTIES SHALL BE IDENTIFIED BY FEATURE CONTROL PLAN. UNLESS OTHERWISE SPECIFIED, TOLERANCES SHALL BE ESTABLISHED BY ORIENTATION OR LOCATION TOLERANCES, REGARDLESS OF DATUM REFERENCE.
ALL DIMENSIONS ARE IN MILLIMETERS.

DRAWING NAME
TAXI CONN M/M/P 150 SLD

DRAWING NUMBER
12162690

SIZE A0 SCALE 5:1 FRAME NO 1 OF 1 SHEET NO 1 OF 2 REV N/P R 03