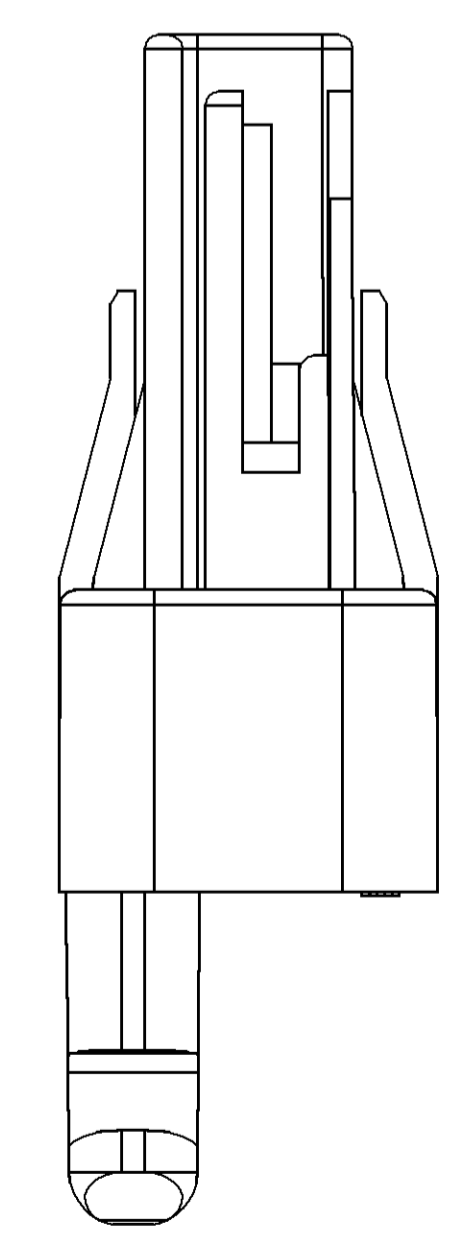
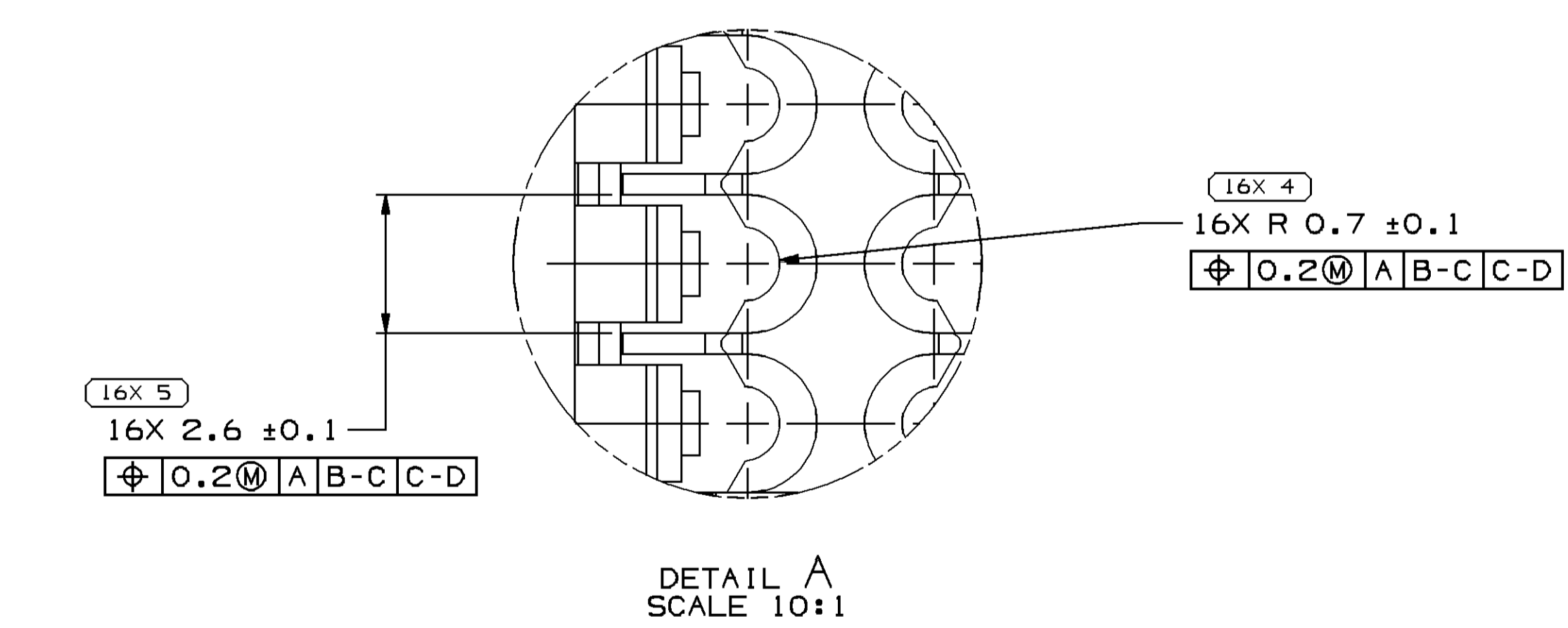
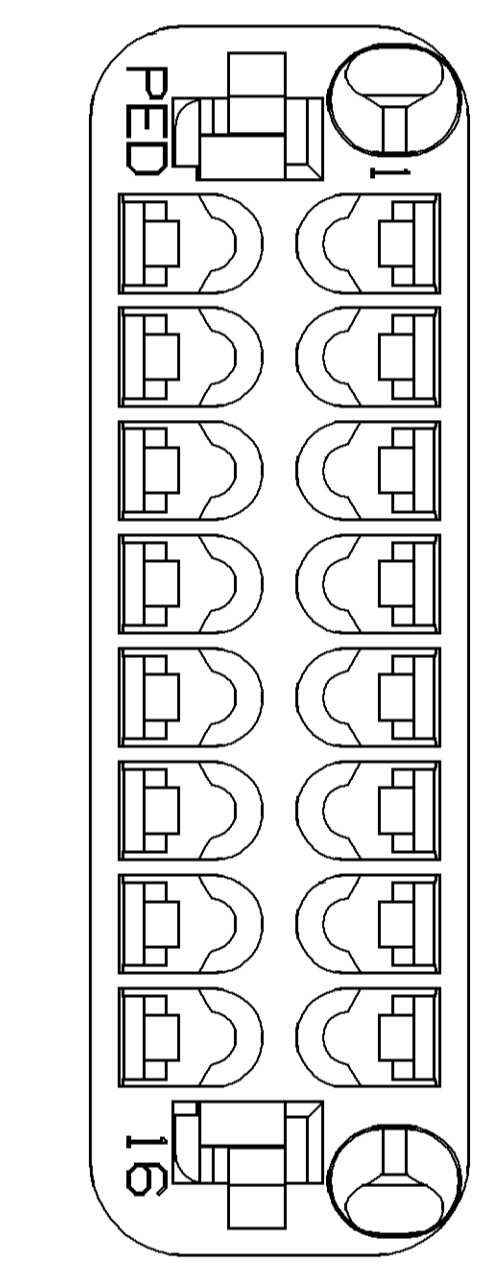
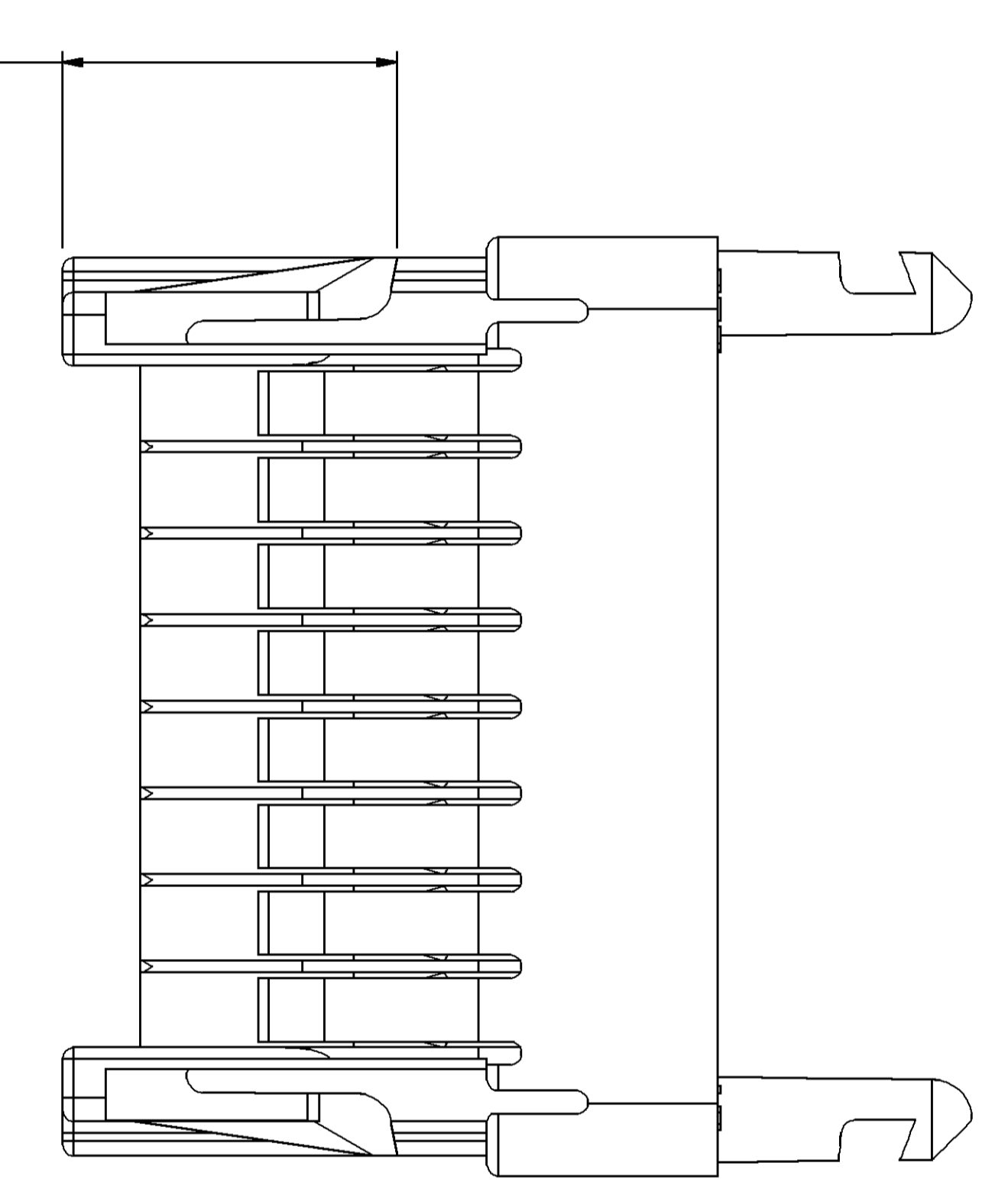
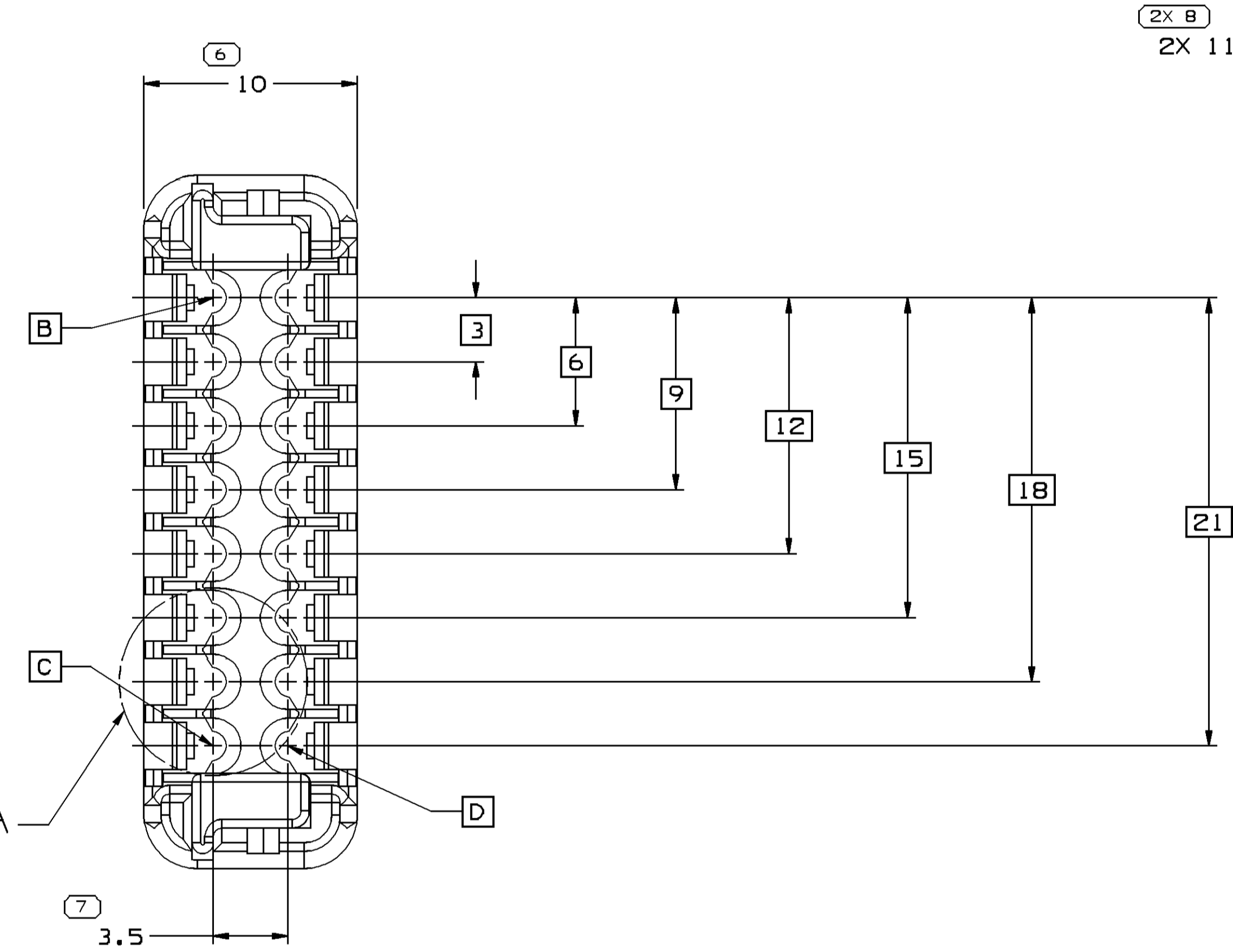
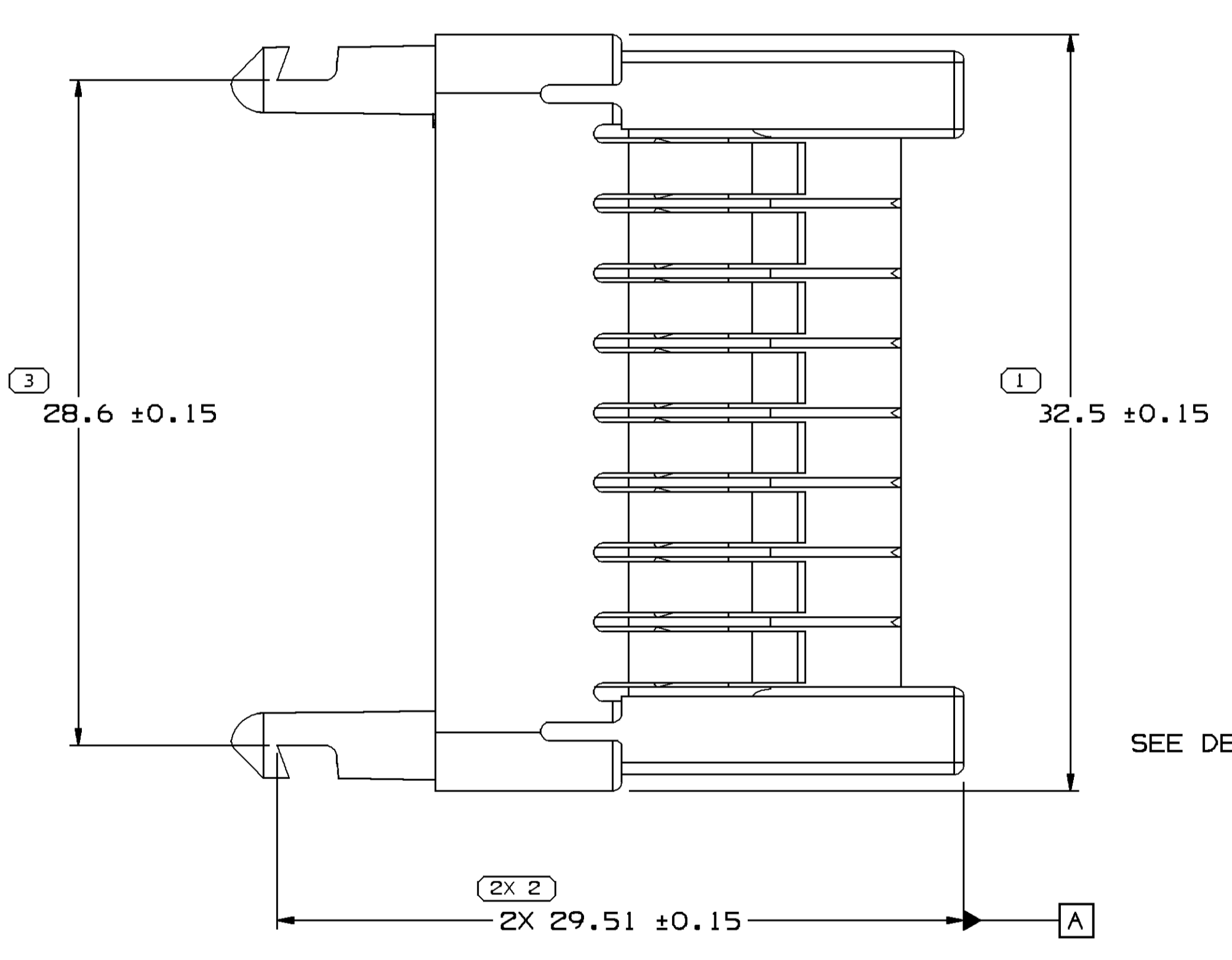
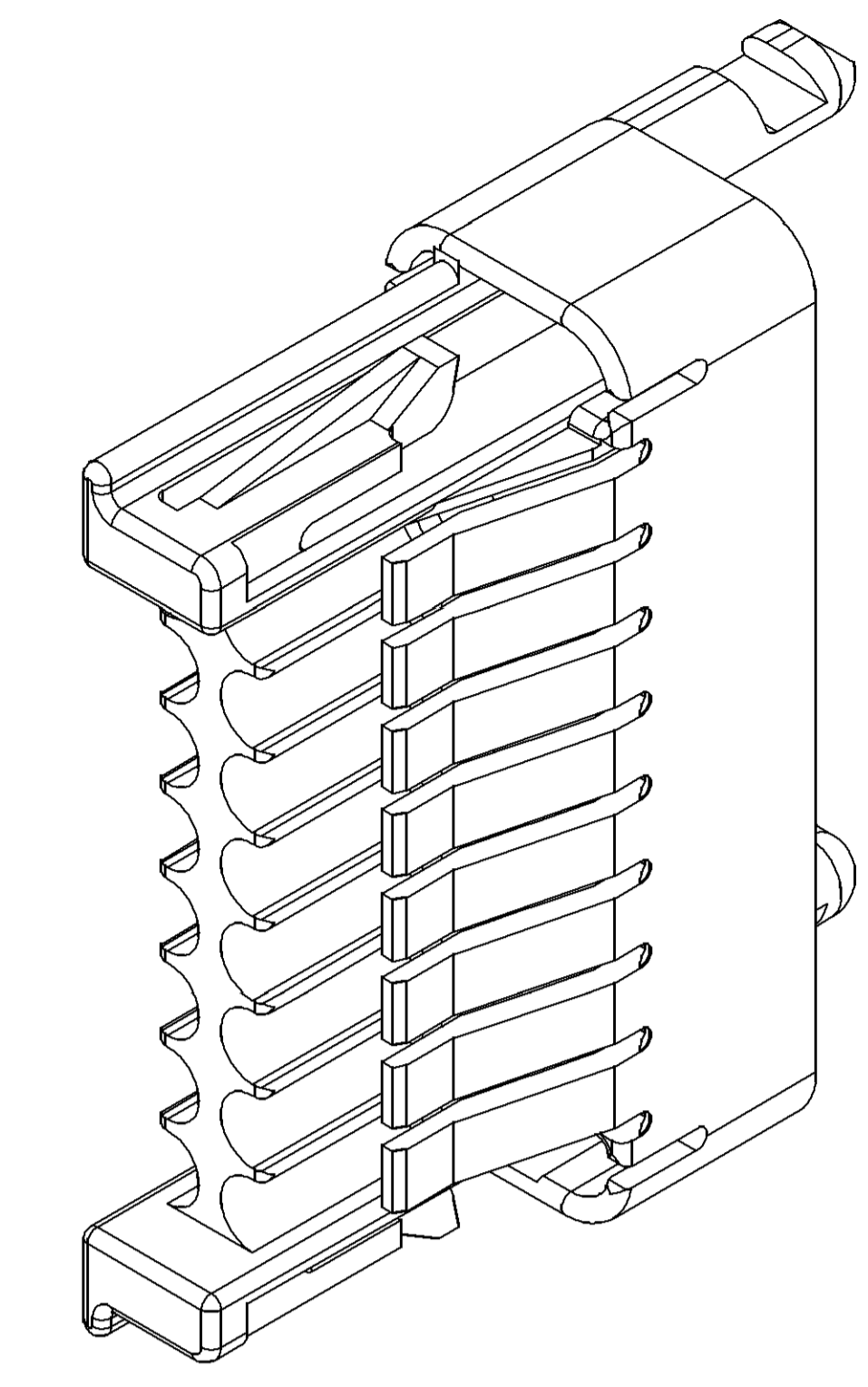
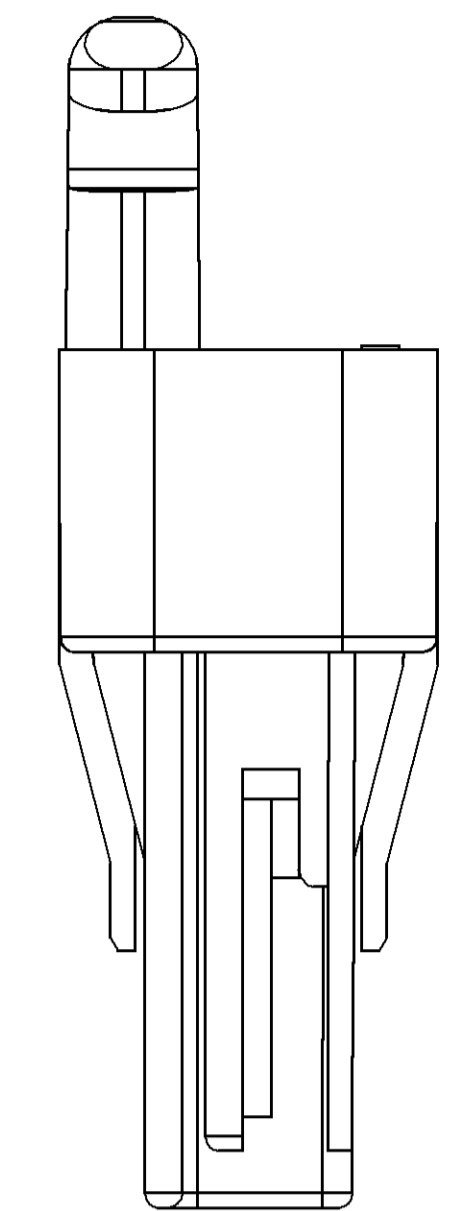


SYMBOL DEFINITION		TOTAL NO OF INSPECTIONS REQUIRED		MISSING SYMBOLS	
A DIMENSION WITHOUT AN INSPECTION REPORT SYMBOL DOES NOT REQUIRE INSPECTION. IT MAY BE CONTROLLED ON THE INDIVIDUAL COMPONENT DRAWING.		40		NO MISSING SYMBOL NUMBER	
		8		LAST NO. USED	

DWG STATUS				REVISION HISTORY				AUTH					
DATE	STG	REV	N/P	CHG	ZONE								
01.10.09	R	A3	-	-	-	UPDATED MATERIAL CALLOUT				407330	CBG	CBG	LHD



NOTES

- UNLESS OTHERWISE SPECIFIED AND/OR INDICATED:
DIMENSIONS ARE TO FACE OF VIEW SHOWN AND AUTOMATICALLY ROUNDED BY COMPUTER FOR INSPECTION (SEE MATH MODEL FOR PRECISE DIMENSIONS). FOR ALL OTHER DIMENSIONS NOT SHOWN BUT REQUIRED FOR TOOL BUILD, SEE MATH MODEL FOR PRECISE TOOL PATH DATA.
- MATING COMPONENTS:
STRAIN RELIEF 12191068
TERMINAL 12084912 OR EQUIVALENTE
TPA 12191067 OR EQUIVALENTE
SEAL 12191066 OR EQUIVALENTE
CAVITY PLUG(S) 12129557
CONNECTOR POSITION ASSURANCE LOCK 12110299
WHEN FULLY ASSEMBLED MATES TO HEADER CONNECTOR ASSEMBLY 12191064
- PART IS MANUFACTURED TO GEOMETRIC TOLERANCES. CENTERLINE DIMENSIONS ARE FOR REFERENCE ONLY.
- MATERIAL RECYCLING CODE PER ISO 11469. (0.1)X(1) CHARACTERS AS SHOWN TO BE LOCATED ON ANY EXTERIOR SURFACE. OPTIONAL CONSTRUCTION TO BE NO MATERIAL RECYCLING CODE.
- THIS PRODUCT IS NOT CATEGORIZED AS AN APPEARANCE ITEM, MINOR IMPERFECTIONS INCLUDING, BUT NOT LIMITED TO, FLOW MARKS, COLOR BLEMISHES, GATE VESTIGE, AND SOFT FLASH THAT DO NOT AFFECT THE FIT, FORM, OR FUNCTION OF THE PART ARE PERMISSIBLE PER DPNP-4.7-CS-01.
- (0.1)X(1) DELPHI CORPORATE BRAND TO BE LOCATED ON ANY EXTERIOR SURFACE, PREFERABLY VISIBLE AT FINAL ASSEMBLY. OPTIONAL CONSTRUCTION FOR EXISTING TOOLING MAY BE "PED" OR NO LOGO.

DIMENSIONAL RANGE (MM)		SHORT ET	
FROM	TO	FROM	TO
> 0	> 30	> 70	> 100
> 30	> 70	> 100	> 150
> 70	> 100	> 150	> 200
> 100	> 150	> 200	> 250
> 150	> 200	> 250	> 300
> 200	> 250	> 300	> 400
TOLERANCE UNLESS OTHERWISE SPECIFIED			
±0.15	±0.2	±0.3	±0.4
±0.5	±0.6	±0.8	±1.0
ANGULAR TOLERANCE 2°			

DWG TYPE		PART DRAWING	
STYLE		DISTR CODE	D
VOLUME 10/P	2, 376		
UNLESS OTHERWISE SPECIFIED			
THIS DOCUMENT IS IN ACCORDANCE WITH ASME Y14.5M-1994 AS MODIFIED BY THE IN-SUPPLY DIMENSIONING PRACTICES ADDENDUM. SEPARATE WRITINGS OF FEATURES MAY BE BASED SEPARATELY PER DPNP-4.7-CS-01.			
ALL DIMENSIONS ARE IN MILLIMETERS			
THIRD ANGLE PROJECTION			
DO NOT SCALE USE MATH DATA			

DELPHI
DELPHI PACKARD ELECTRICAL/ELECTRONIC ARCHITECTURE
NAPER, OH

DR	DATE
APV01 MANUEL VEGA	030C94
APV02 MANUEL VEGA	030C94
APV03 P. OLBRYCH	09N094
APV04	
APV05	

SUBSTANCES OF CONCERN AND RECYCLED CONTENT PER DELPHI 10947001

MATERIAL: POLYAMIDE COMPOUND NATURAL

DRAWING NAME:
CONN 16 F MIC/P 100W SLD MODULAR

DRAWING NUMBER:
12191065

SIZE	SCALE	FRAME NO	SHEET NO	STG	REV	N/P
A0	5:1	1	OF 2	1	OF 1	R A3 -