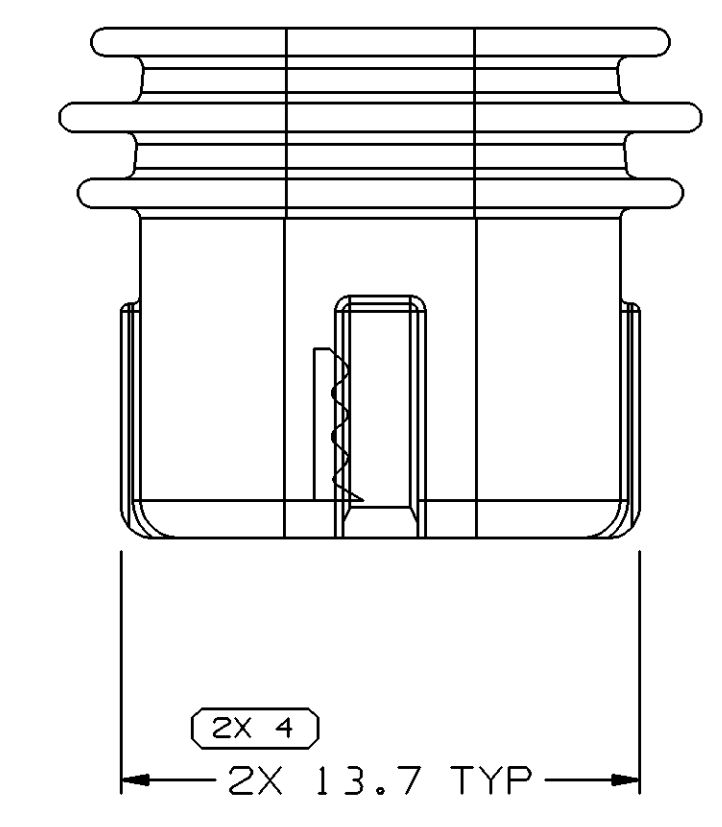
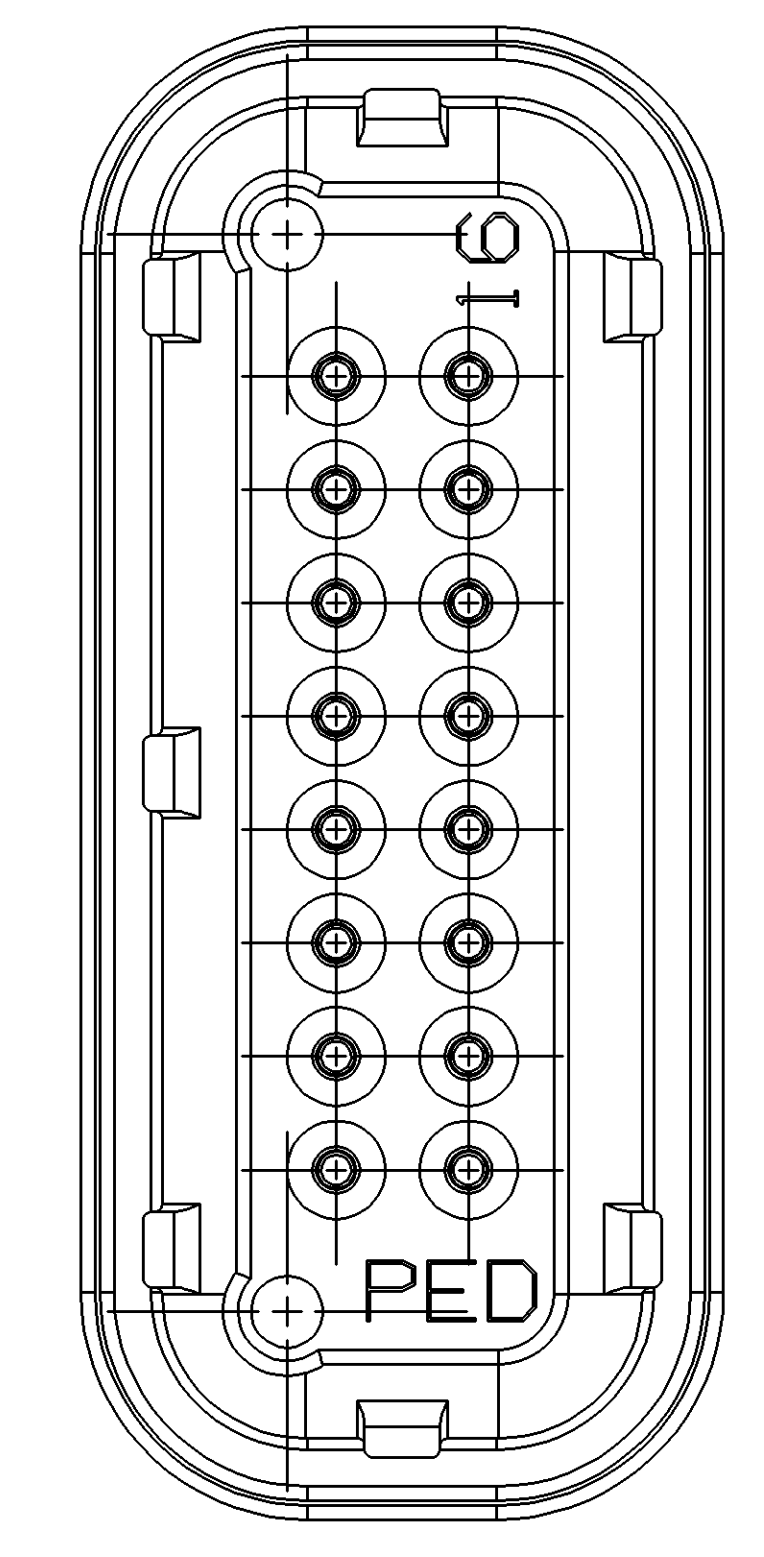
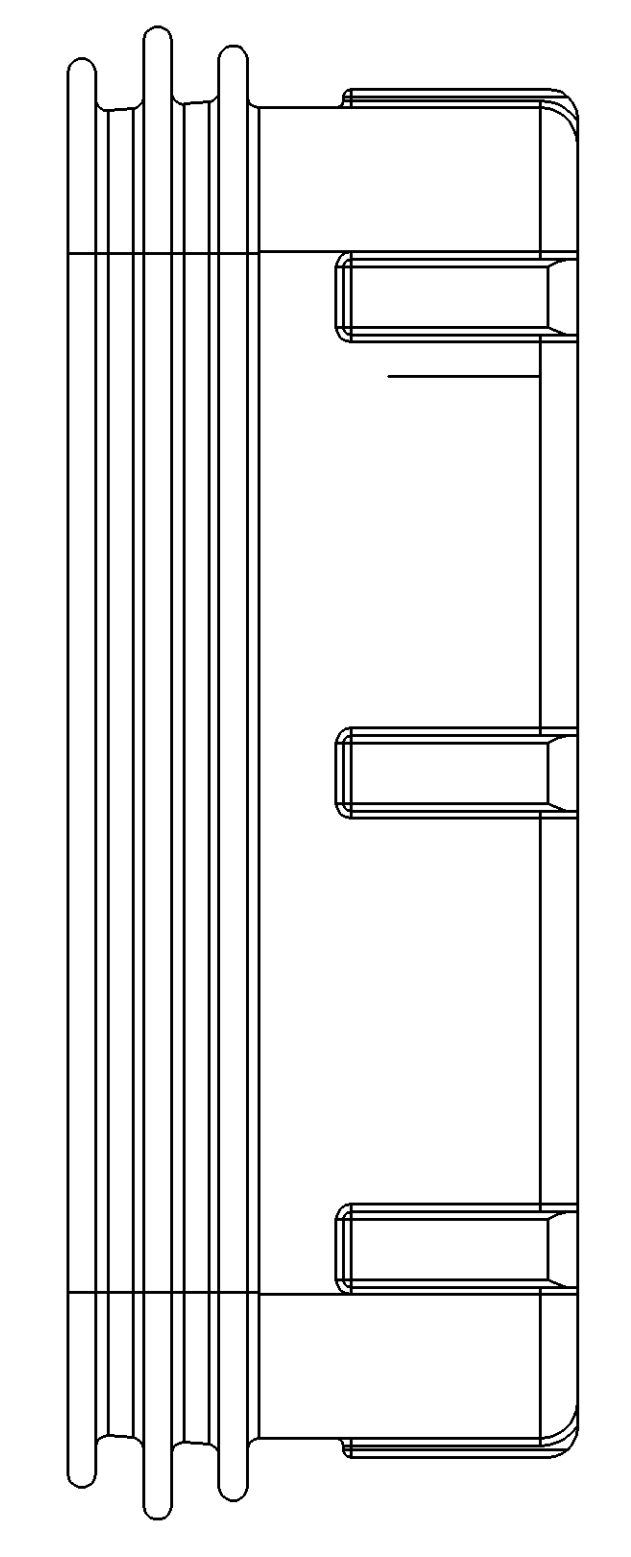
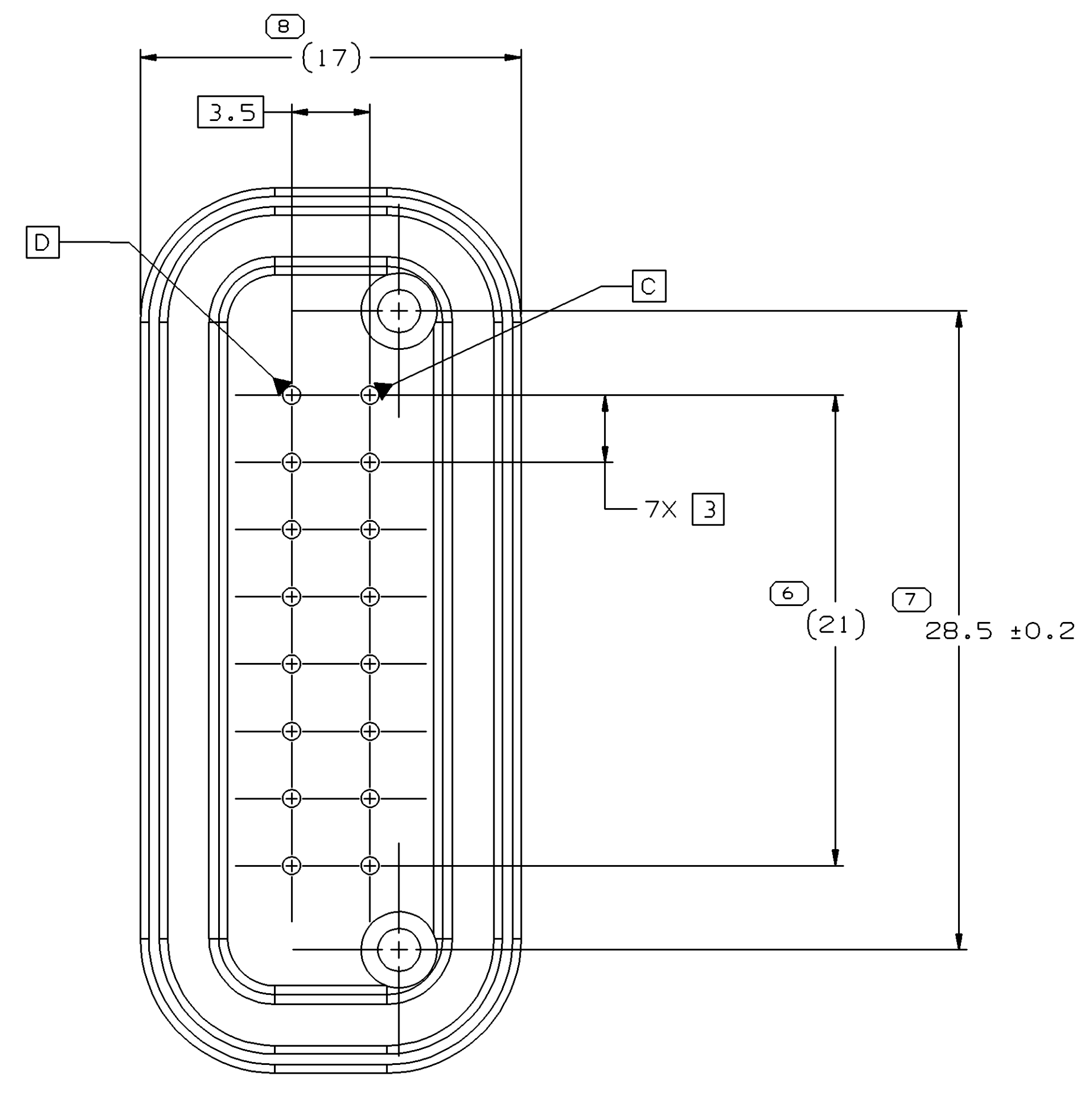
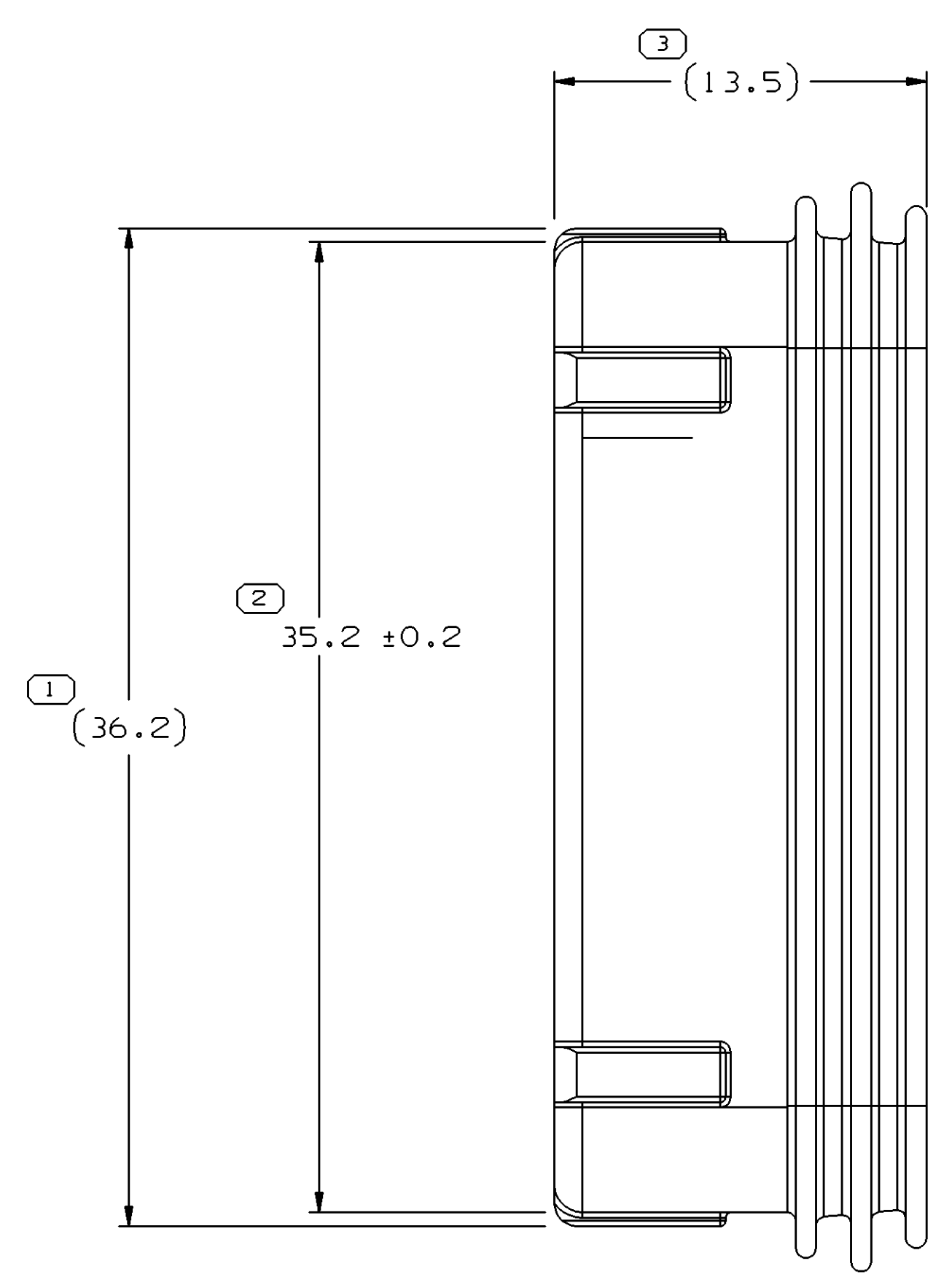
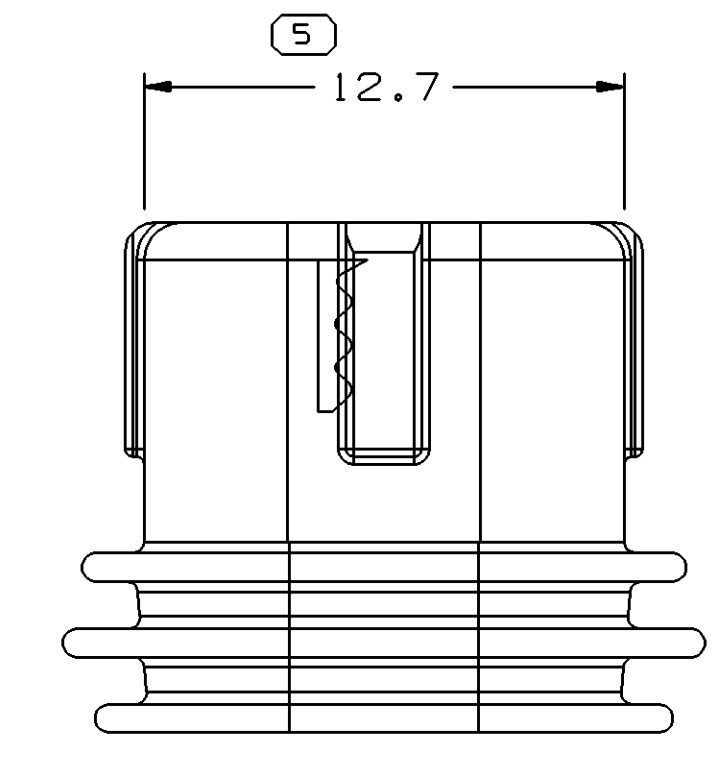


SYMBOL DEFINITION		TOTAL NO OF INSPECTIONS REQUIRED		MISSING SYMBOLS	
A DIMENSION WITHOUT AN INSPECTION REPORT SYMBOL DOES NOT REQUIRE INSPECTION. IT MAY BE CONTROLLED ON THE INDIVIDUAL COMPONENT DRAWING.		9		NO MISSING SYMBOL NUMBER	
		8			

DWO STATUS						REVISION HISTORY			AUTH	DR	APVD	APVD
DATE	STG	REV	N/P	CHG	ZONE							
23SE94	-	A	-	-	-	PID CREATED		950012	KLJ	KLJ	MVA	2
01SE95	-	A1	-	-	-	WAS PE043934 & RELEASED		950005	CTC	CTC	JGS	M
14AU96	-	B	-	-	-	MATERIAL WAS PM00226-001 & REVISED		174017	CRM	CRM	PYP	
14JA05	R	B1	-	-	-	REVISED TOLERANCE		262964	MM	MM	MR	



NOTES

- UNLESS OTHERWISE SPECIFIED AND/OR INDICATED:
DIMENSIONS ARE TO FACE OF VIEW SHOWN AND AUTOMATICALLY ROUNDED BY COMPUTER FOR INSPECTION (SEE MATH MODEL FOR PRECISE DIMENSIONS). FOR ALL OTHER DIMENSIONS NOT SHOWN BUT REQUIRED FOR TOOL BUILD, SEE MATH MODEL FOR PRECISE TOOL PATH DATA.
- MATERIAL RECYCLING CODE PER ISO 11469. (1,6)X(0,1) CHARACTERS AS SHOWN TO BE LOCATED ON ANY EXTERIOR SURFACE.
- THIS PART ACCEPTS THE FOLLOWING COMPONENTS OR EQUIVALENT:
STRAIN RELIEF 12191068
CONNECTOR 12191065
TERMINAL 12084912
CONNECTOR POSITION LOCK 12110299
RETAINER 12191067
- THIS PART USED IN ASSEMBLY 12191064 OR EQUIVALENT.
- (1,6)X(0,1) DELPHI CORPORATE BRAND TO BE LOCATED ON ANY EXTERIOR SURFACE, PREFERABLY VISIBLE AT FINAL ASSEMBLY. OPTIONAL CONSTRUCTION TO BE "PED".
- PART IS MANUFACTURED TO GEOMETRIC TOLERANCES. CENTERLINE DIMENSIONS ARE FOR REFERENCE ONLY.

DWO TYPE		PART DRAWING	
STYLE		DISTR CODE	D
VOLUME (COP)	3,104		
UNLESS OTHERWISE SPECIFIED			
THIS DOCUMENT IS IN ACCORDANCE WITH ASME Y14.5M-1994 AS AMENDED BY THE DIMENSIONING AND TOLERANCING ADDENDUM-2001. SEPARATE PATTERNING OF FEATURES MAY BE OBTAINED SEPARATELY REGARDLESS OF DATUM REFERENCES.			
ALL DIMENSIONS ARE IN MILLIMETERS			
REFERENCE			
(N/A) PROCESS SENSITIVE DIMENSION			
DIMENSIONS ENCLOSED IN () INDICATE RETROFIT DIMENSIONS AND NO TOLERANCE LIMITS ARE ESTABLISHED			
DIMENSIONAL RANGE (MM)	CHART	E	
FROM 0	> 20	> 30	> 70
TO 20	30	70	100
TOLERANCE UNLESS OTHERWISE SPECIFIED			
±0.15 ±0.2 ±0.3 ±0.4 ±0.5			
ANGULAR TOLERANCE 12°			
THIRD ANGLE PROJECTION		DO NOT SCALE	
USE MATH DATA		UNSPRINGS	

DELPHI
DELPHI PACKARD ELECTRIC SYSTEMS
WARREN, OH

DR	DATE
DR K. JONES	23SE94
APVD1 K. JONES	23SE94
APVD2 MANUEL VEGA	28SE94
APVD3 P. OLBRYCH	01NO94
APVD4	
APVD5	

MATERIAL M2260005 ELASTOMER 30 SHORE A, SELF-BLEEDING SIL ORN

DRAWING NAME: SEAL CBL 16W ORN

DRAWING NUMBER: 12191066

SIZE	SCALE	FRAME NO	SHEET NO	STG	REV	N/P
A0	5:1	1	1	1	1	R B1