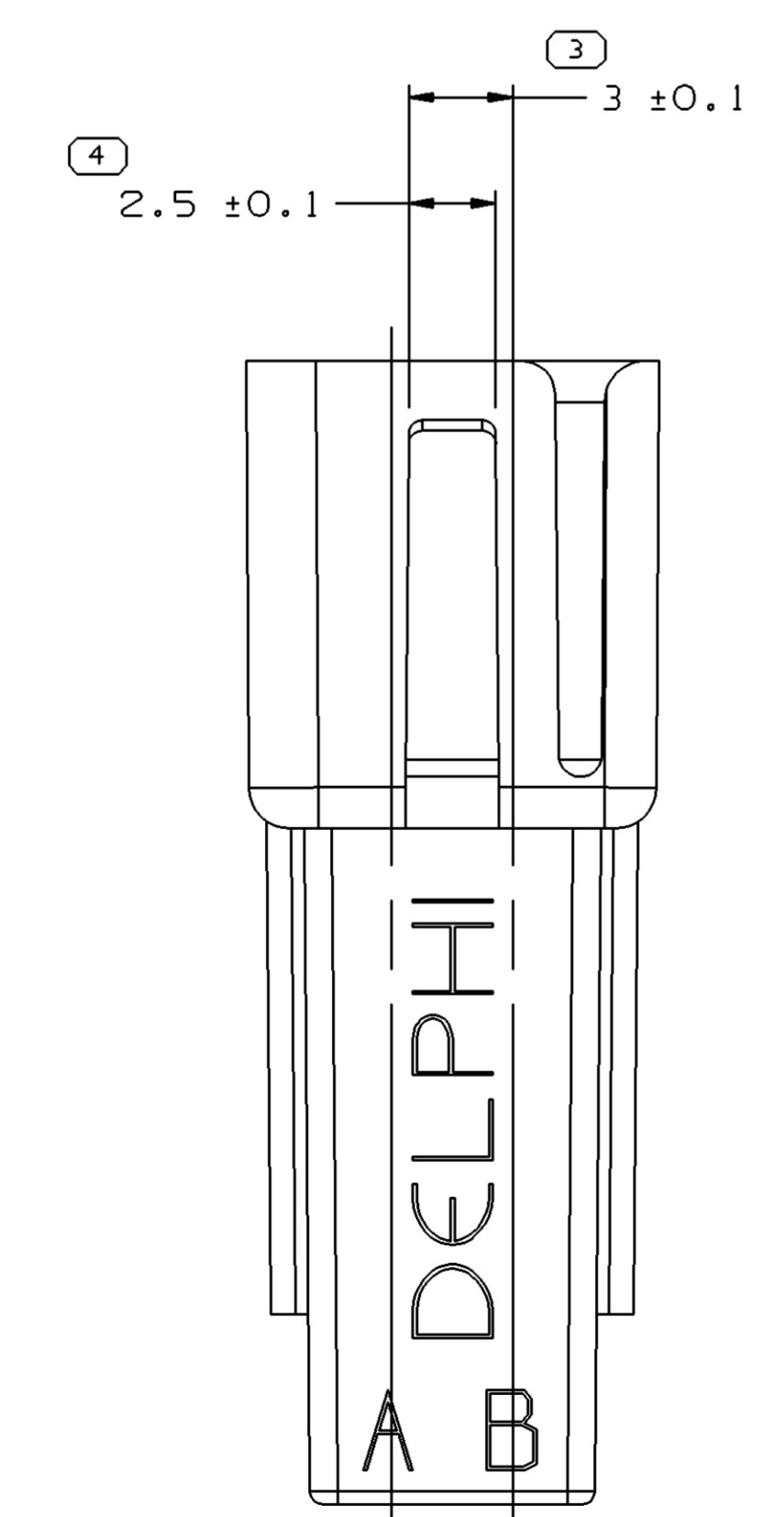
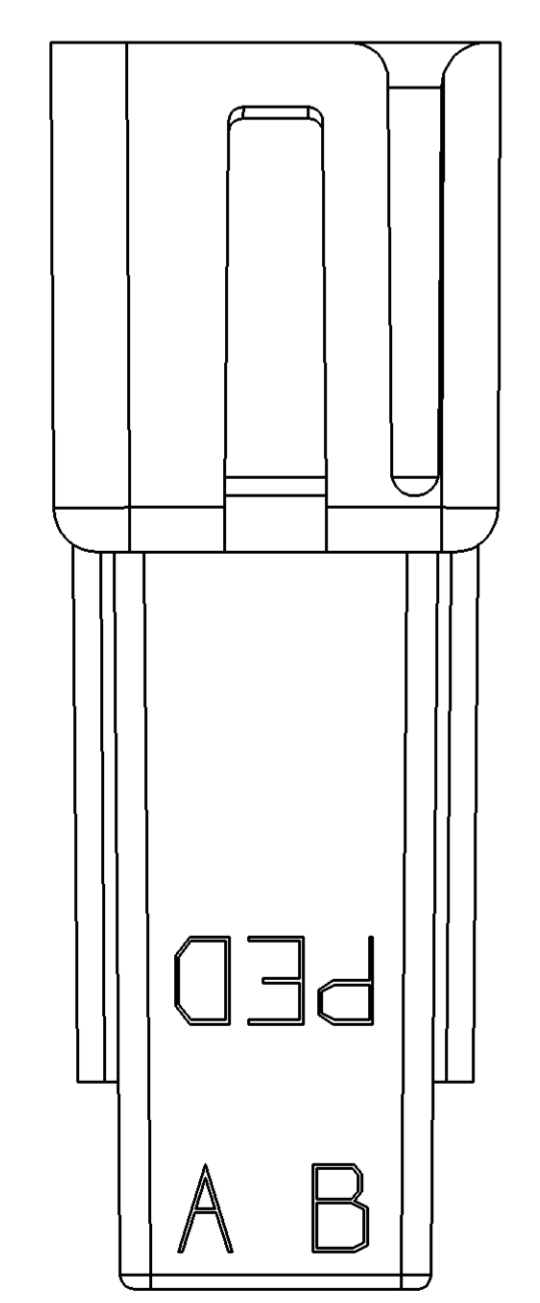
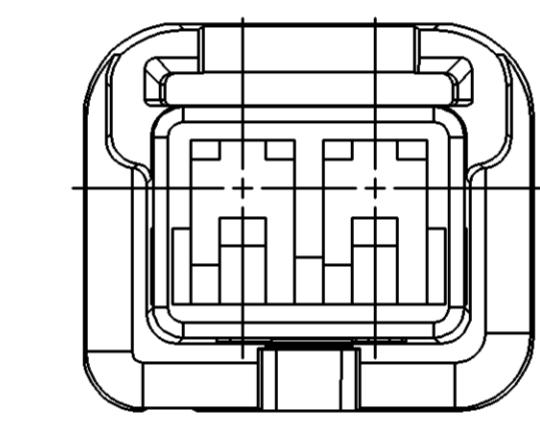
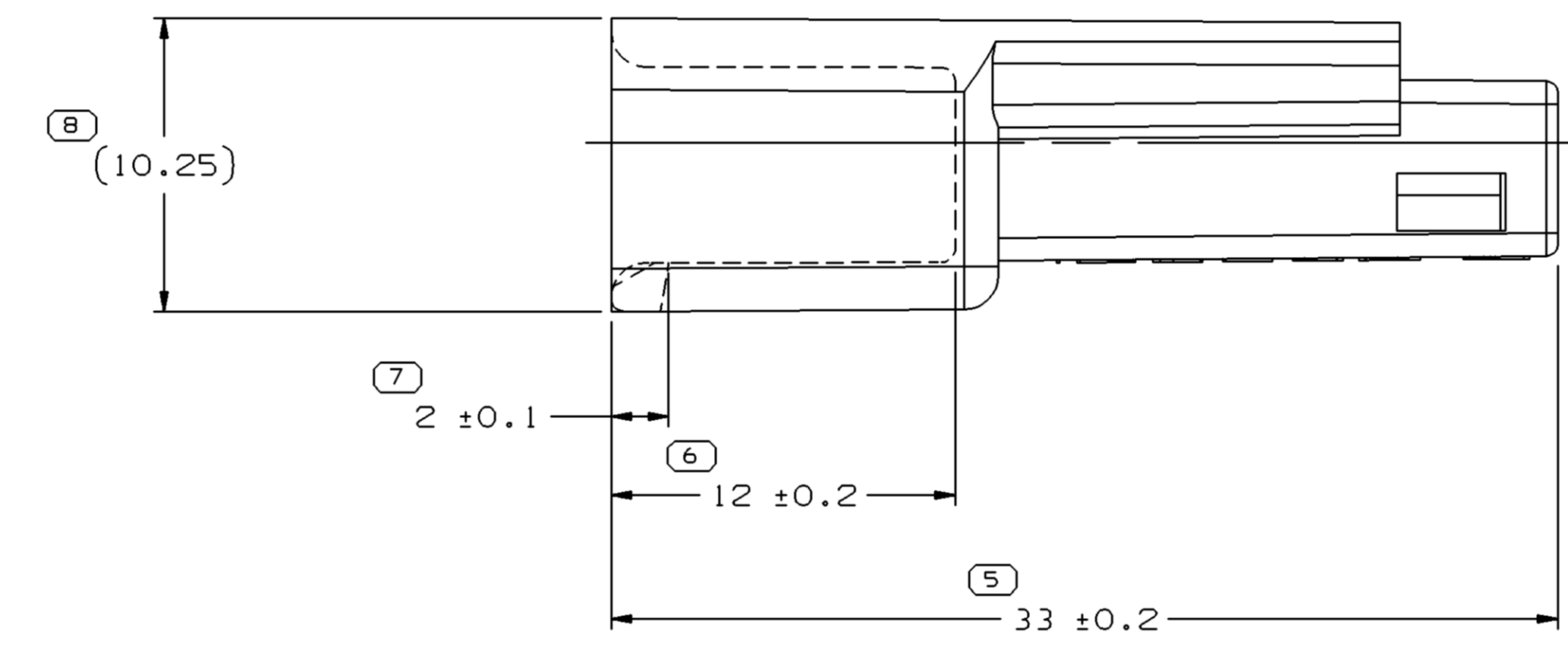
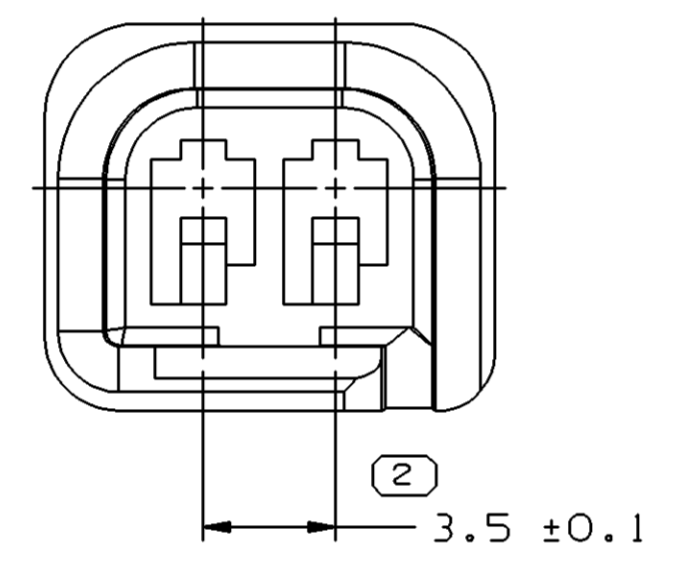
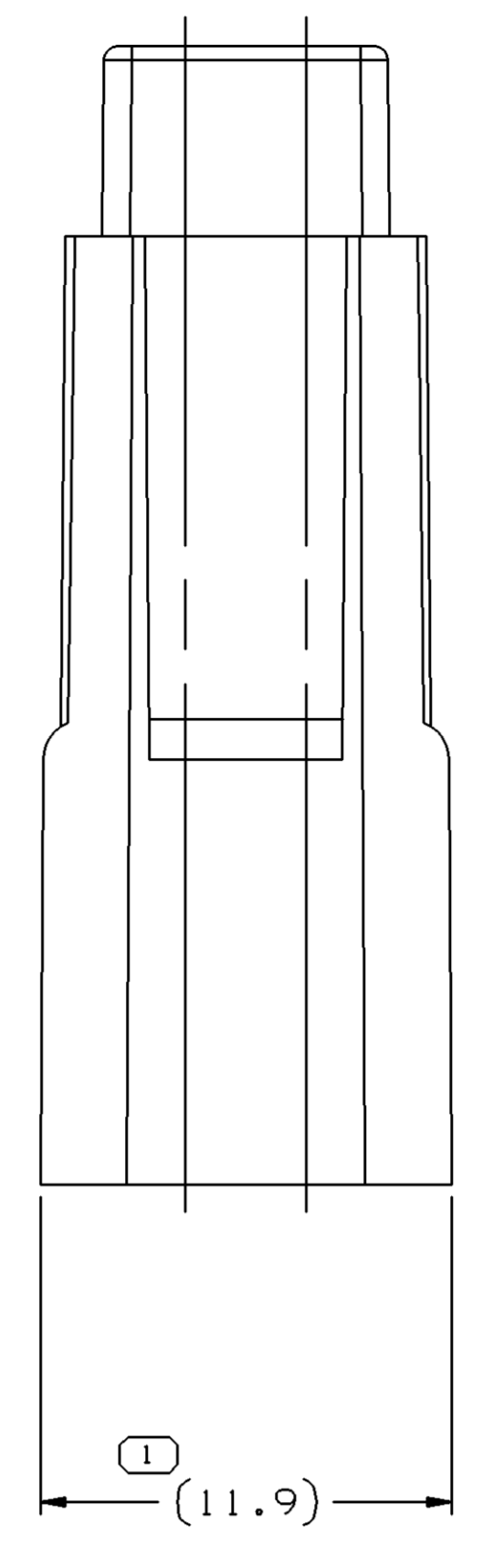


SYMBOL DEFINITION		MISSING SYMBOLS	
A DIMENSION WITHOUT AN INSPECTION REPORT SYMBOL DOES NOT REQUIRE INSPECTION. IT MAY BE CONTROLLED ON THE INDIVIDUAL COMPONENT DRAWING.	TOTAL NO OF INSPECTIONS REQUIRED	NO MISSING SYMBOL NUMBER	
	B		
	LAST NO. USED	B	

DWO STATUS					REVISION HISTORY			AUTH	DR	APVD	APVD	
DATE	STG	REV	N/P	CHG	ZONE						1	2
05AP01	R	07	-	-		ALL PARTS - REDRAWN TO PD & ADDED OPTIONAL CONSTRUCTION			207684	HH	EDV	SMC
29MR04	R	08	-	-		ALL PARTS - REVISED "PART ACCEPTS" NOTE TO "2.65 WIDE"			253521	ADK	ADK	BG
060C05	R	09	-	-		12059282 - TAXI NAME WAS CONN M/P 150; 12059250 - MAT'L SPEC WAS M3592002			273120	MDH	JAA	EST



OPTIONAL CONSTRUCTION

NOTES

- UNLESS OTHERWISE SPECIFIED AND/OR INDICATED:
DIMENSIONS ARE TO FACE OF VIEW SHOWN AND AUTOMATICALLY ROUNDED BY COMPUTER FOR INSPECTION (SEE MATH MODEL FOR PRECISE DIMENSIONS). FOR ALL OTHER DIMENSIONS NOT SHOWN BUT REQUIRED FOR TOOL BUILD, SEE MATH MODEL FOR PRECISE TOOL PATH DATA.
- REFERENCE MATING COMPONENTS OR EQUIVALENT:
CONNECTOR SEE CHART
- THIS PART ACCEPTS THE FOLLOWING COMPONENTS OR EQUIVALENT:
TERMINAL 12040993
MAX INSULATION CRIMP MUST BE LESS THAN 3 HIGH AND 2.65 WIDE.
SECONDARY LOCK 12047665
- THIS CONNECTOR WILL PASS THRU A Ø 14.5 MIN HOLE..
- MATERIAL RECYCLING CODE PER ISO 11469. (2.3)x(0.1) CHARACTERS AS SHOWN TO BE LOCATED ON ANY EXTERIOR SURFACE. OPTIONAL CONSTRUCTION TO BE NO MATERIAL RECYCLING CODE.
- (2.3)x(0.1) DELPHI CORPORATE BRAND TO BE LOCATED ON ANY EXTERIOR SURFACE, PREFERABLY VISIBLE AT FINAL ASSEMBLY. OPTIONAL CONSTRUCTION FOR EXISTING TOOLING MAY BE "PED".

VIEW SCALE DOES NOT REFLECT ACTUAL PART SIZE

PART NO	STG	REV	N/P	STATUS	MATERIAL SPECIFICATION AND COLOR	MATING CONNECTOR
12059250	R	04	-		M3592024 PA66 HS 1M CRM	12059249
12059248	R	C2	-		M3592025 PA66 HS 1M-GRA MD	12059247
12047663	R	C2	-		M3592001 PA66 HS 1M-BLK	12047662

DIMENSIONAL RANGE (MM)		CHART ET	
FROM	TO	1	2
> 0	> 20	> 70	> 100
> 20	> 30	> 100	> 150
> 30	> 40	> 150	> 200
> 40	> 50	> 200	> 250
> 50	> 60	> 250	> 300
> 60	> 70	> 300	> 400

DWO TYPE		PART DRAWING	
STYLE		DISTR CODE	D
VOLUME (CM³)	1.467		
UNLESS OTHERWISE SPECIFIED			
THIS DOCUMENT IS IN ACCORDANCE WITH ASME Y14.5M-1994 AS AMENDED BY THE 2003 DIMENSIONING AND TOLERANCING ADDENDUM (2003). SEPARATE PATTERNING OF FEATURES MAY BE GIVEN SEPARATELY REGARDLESS OF DATUM REFERENCES.			
ALL DIMENSIONS ARE IN MILLIMETERS			
REFERENCE		THIRD ANGLE PROJECTION	DO NOT SCALE
		USE MATH DATA	UNSPRINTED

DELPHI
DELPHI PACKARD ELECTRIC SYSTEMS
WARREN, OH

DR	DATE
APVD1 J. REEVES	210C86
APVD2 T. MUDREY	270C86
APVD3 S. NORLING	280C86
APVD4	
APVD5	

SUBSTANCES OF CONCERN AND RECYCLED CONTENT PER DELPHI 10949001

MATERIAL SEC CHART

DRAWING NAME
TAXI CONN 2 M M/P 150 CRM

DRAWING NUMBER
12059282

SIZE A0 SCALE 5:1 FRAME NO 1 OF 1 SHEET NO 1 OF 1 STG REV N/P R 09