



# Coupling connectors

Sicma

## 2 way mini-sealed coupling housings for 1.5 mm terminals

### Features

- 2 position housings
- 3.33 mm pitch
- Reduced size sealed housings
- Female part can be used as an aggregate housing
- Circumferencial interface seal on female housing
- Rear sealing ensured by a pre-mounted mat-seal
- Pre-assembled front grids support blade terminal guiding and mating
- Terminal position assurance (T.P.A.)
- CPA optional available
- GO-NO-GO housing locking principle
- Mechanical polarization
- Several colour codings available



### Performance characteristics

- Temperature range: from -40°C to +125°C
- Contact retention force: > 100 N
- Contact insertion force: < 12 N
- Connector mating force: < 60 N
- Sealing protection: IP 68
- Acceptable wire range: 0.5 mm<sup>2</sup> to 2 mm<sup>2</sup> for 1.5 mm

### Construction

- Housing material: PBT
- Interface seal: Silicone
- Rear mat-seal: Silicone

### Tooling

- T.P.A. removal tool: 210S040
- Terminal removal tool
  - Female terminal: 2115015
  - Male terminal: 2115016
- Cavity plug: 210A015019

### Connector compatibility

- Usable terminals:
  - Sicma-2 1.5 mm female terminals
  - Sicma-2 1.5 mm male terminals
  - Sicma-3 1.5 mm female terminals
  - Sicma-3 1.5 mm male terminals

Part number	No. of position	Terminal size	Type	Colour	Full schroud
211 PC022S0049	2	1.5 mm	Female	Black	N
211 PC022S1049	2	1.5 mm	Female	Brown	N
211 PC022S2049	2	1.5 mm	Female	Red	N
211 PC022S3049	2	1.5 mm	Female	Orange	N
211 PC022S4049	2	1.5 mm	Female	Yellow	N
211 PC022S5049	2	1.5 mm	Female	Green	N
211 PC022S6049	2	1.5 mm	Female	Blue	N
211 PC022S8049	2	1.5 mm	Female	Grey	N
211 PC022S9049	2	1.5 mm	Female	White	N
211 PC022S0081	2	1.5 mm	Female	Black	Y
211 PC022S1081	2	1.5 mm	Female	Brown	Y
211 PC022S2081	2	1.5 mm	Female	Red	Y
211 PC022S3081	2	1.5 mm	Female	Orange	Y



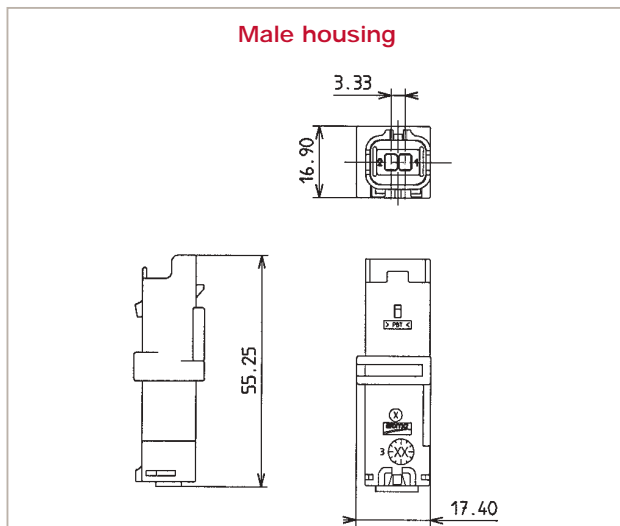
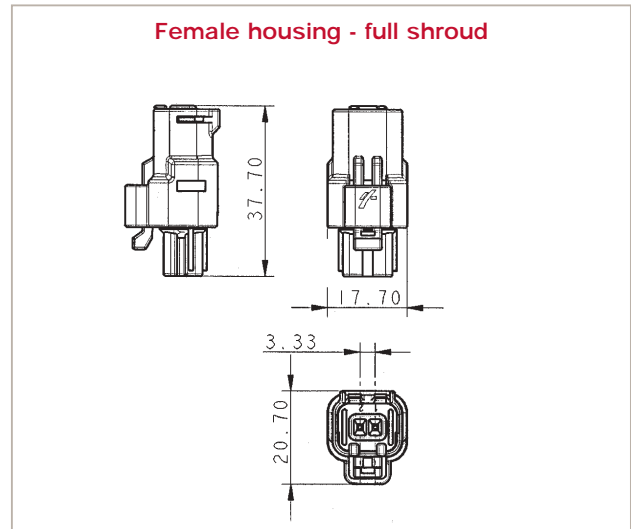
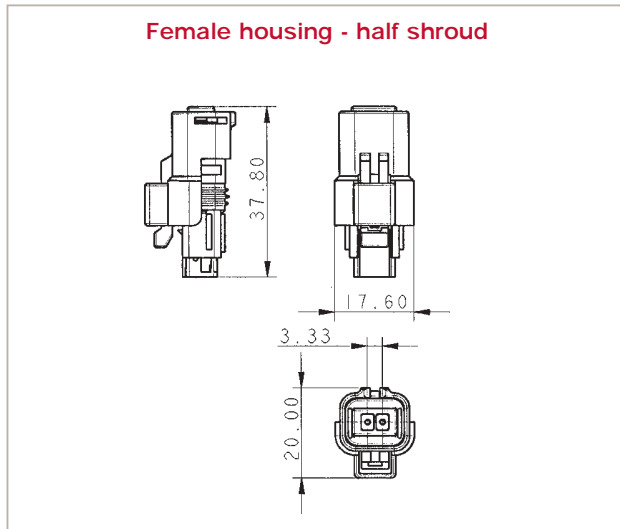
# Coupling connectors

Sicma

## 2 way mini-sealed coupling housings for 1.5 mm terminals

Part number	No. of position	Terminal size	Type	Colour	Full shroud
211 PC022S4081	2	1.5 mm	Female	Yellow	Y
211 PC022S5081	2	1.5 mm	Female	Green	Y
211 PC022S6081	2	1.5 mm	Female	Blue	Y
211 PC022S8081	2	1.5 mm	Female	Grey	Y
211 PC022S9081	2	1.5 mm	Female	White	Y
211 PL022S0049	2	1.5 mm	Male	Black	N
211 PL022S1049	2	1.5 mm	Male	Brown	N
211 PL022S4049	2	1.5 mm	Male	Yellow	N
211 PL022S5049	2	1.5 mm	Male	Green	N
211 PL022S6049	2	1.5 mm	Male	Blue	N
211 PL022S8049	2	1.5 mm	Male	Grey	N

### Dimensional characteristics



Notes :

---



---



---



---



---



---



---



---