

HEADERS CODINGS

(CODING 2 SHOWN)

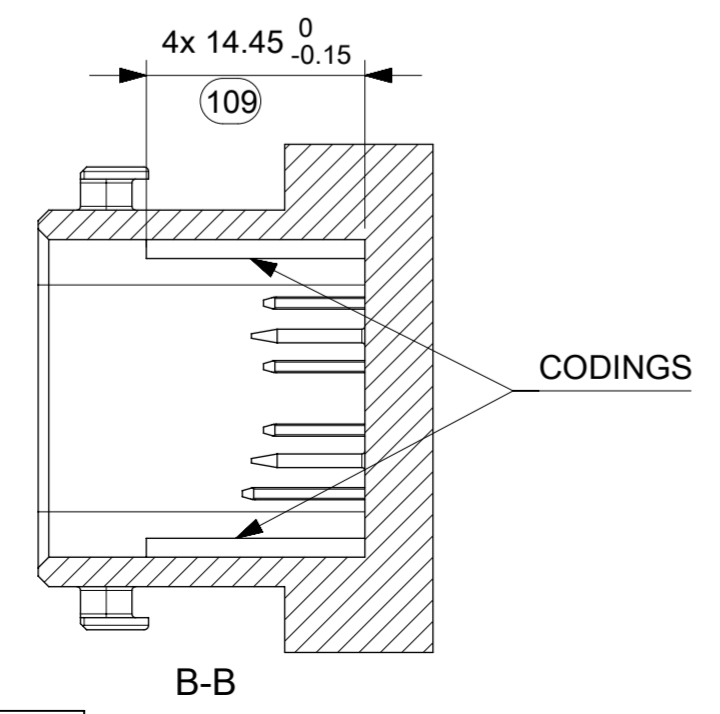
HEADER'S CODINGS FOR MODULE T2 (32W)					
COLOR	CODING	DIM. A	DIM. B	DIM. C	DIM. D
BLACK	1	9.1	4.3	5.9	4.3
GREY	2	7.5	5.9	9.1	5.9
BROWN	3	5.9	7.5	9.1	9.1
GREEN	4	7.5	9.1	4.3	4.3
BLUE	5	4.3	7.5	5.9	5.9
YELLOW	6	9.1	7.5	4.3	7.5

(CODING 3 SHOWN)

HEADER'S CODINGS FOR MODULE T3 (48W)					
COLOR	CODING	DIM. A	DIM. B	DIM. C	DIM. D
BLACK	1	12.9	6.3	8.5	6.3
GREY	2	10.7	8.5	12.9	8.5
BROWN	3	8.5	10.7	12.9	12.9
GREEN	4	10.7	12.9	6.3	6.3
BLUE	5	6.3	10.7	8.5	8.5
YELLOW	6	12.9	10.7	6.3	10.7

NOTE:

- 1- INTERFACE DEFINITION BASED ON NFR13-462 STANDARD.
- 2- HEADER: ELASTICITY MODULUS: 8000Mpa min. (INITIAL CONDITION BEFORE AGEING)



THIS DRAWING CONTAINS INFORMATION THAT IS PROPRIETARY TO MOLEX ELECTRONIC TECHNOLOGIES, LLC AND SHOULD NOT BE USED WITHOUT WRITTEN PERMISSION

DIMENSION UNITS: mm	SCALE: 2:1	CURRENT REV DESC: NX RE-MASTERING	
GENERAL TOLERANCES (UNLESS SPECIFIED)		EC NO: 603689	
ANGULAR TOL	± 2.0°	DRWN: SLAFAURE	2018/07/17
4 PLACES	± 0.10	CHK'D: OPLESSIS	2018/08/31
3 PLACES	± 0.10	APPR: SLAFAURE	2018/09/03
2 PLACES	± 0.10	INITIAL REVISION:	
1 PLACE	± 0.10	DRWN: G.DESBRUERES	2008/10/02
0 PLACES	±	APPR: OPLESSIS	2008/10/06
DRAFT WHERE APPLICABLE MUST REMAIN WITHIN DIMENSIONS	FIRST ANGLE PROJECTION	DRAWING: A2-SIZE	SERIES: 98644

32 & 48CKT CMC INTERFACE

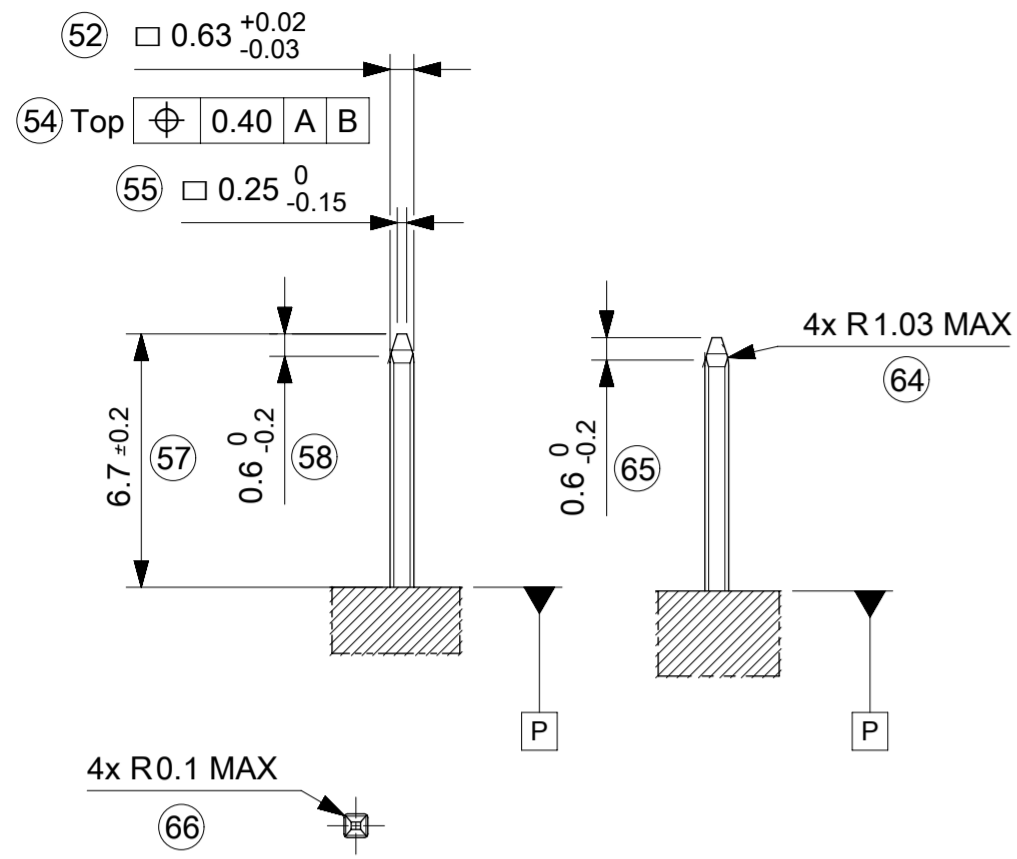
PRODUCT CUSTOMER DRAWING

DOCUMENT NUMBER	DOC TYPE	DOC PART	REVISION
SD-98644-006	PSD	001	B1

MATERIAL NUMBER	CUSTOMER	SHEET NUMBER
N/A	GENERAL MARKET	1 OF 3

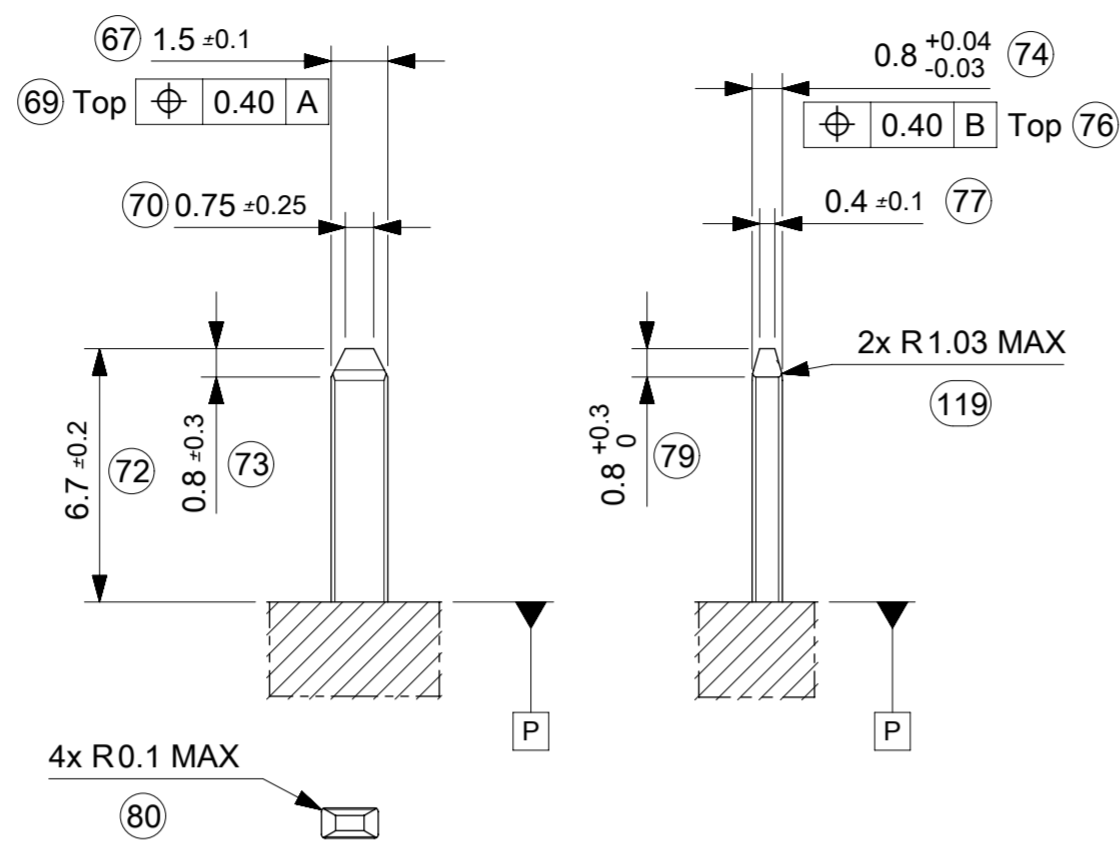
PINS 0.635 DEFINITION

5:1



TABS 1.5 DEFINITION

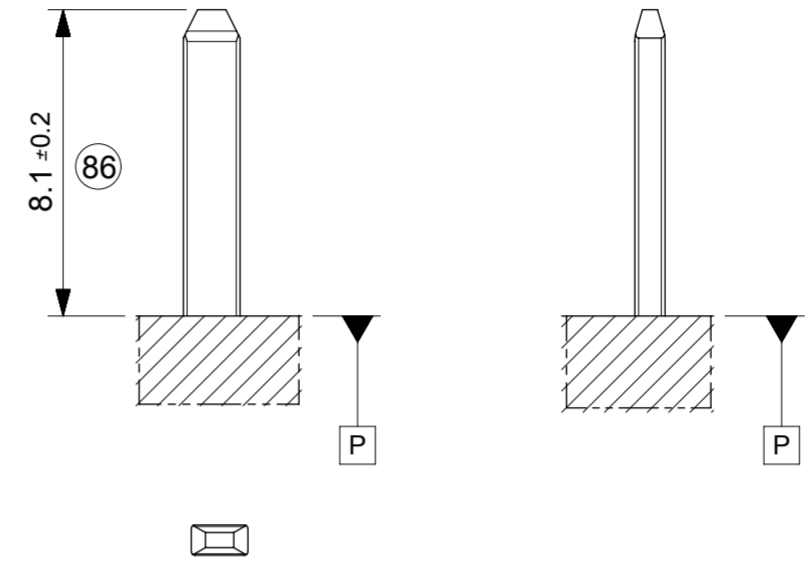
5:1



GROUND TABS 1.5 DEFINITION

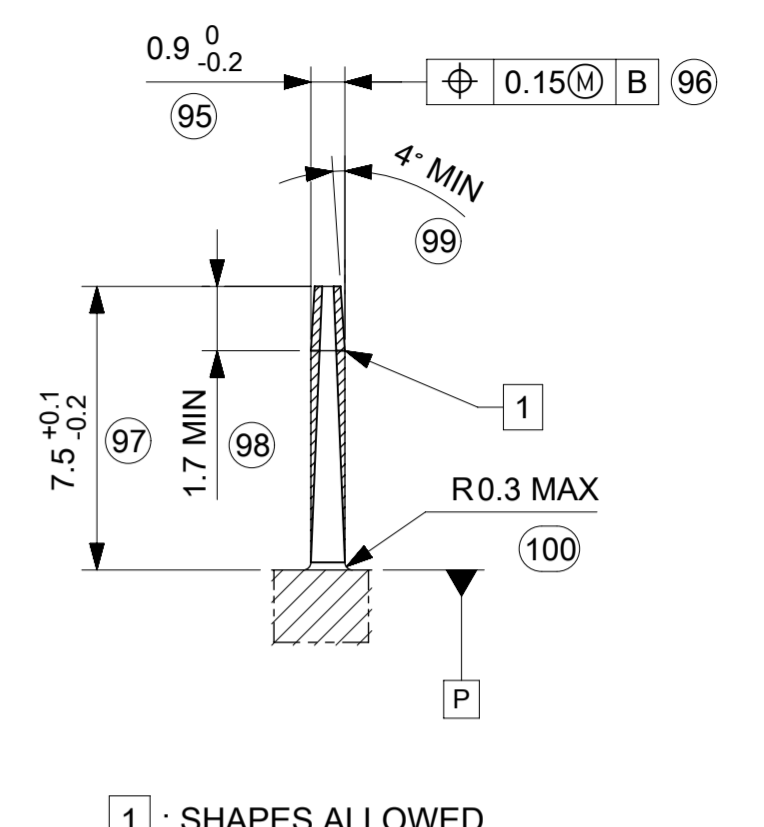
5:1

FOR OTHER DIMENSIONS
SEE TABS 1.5 DEFINITION



PROTECTION WALL DEFINITION

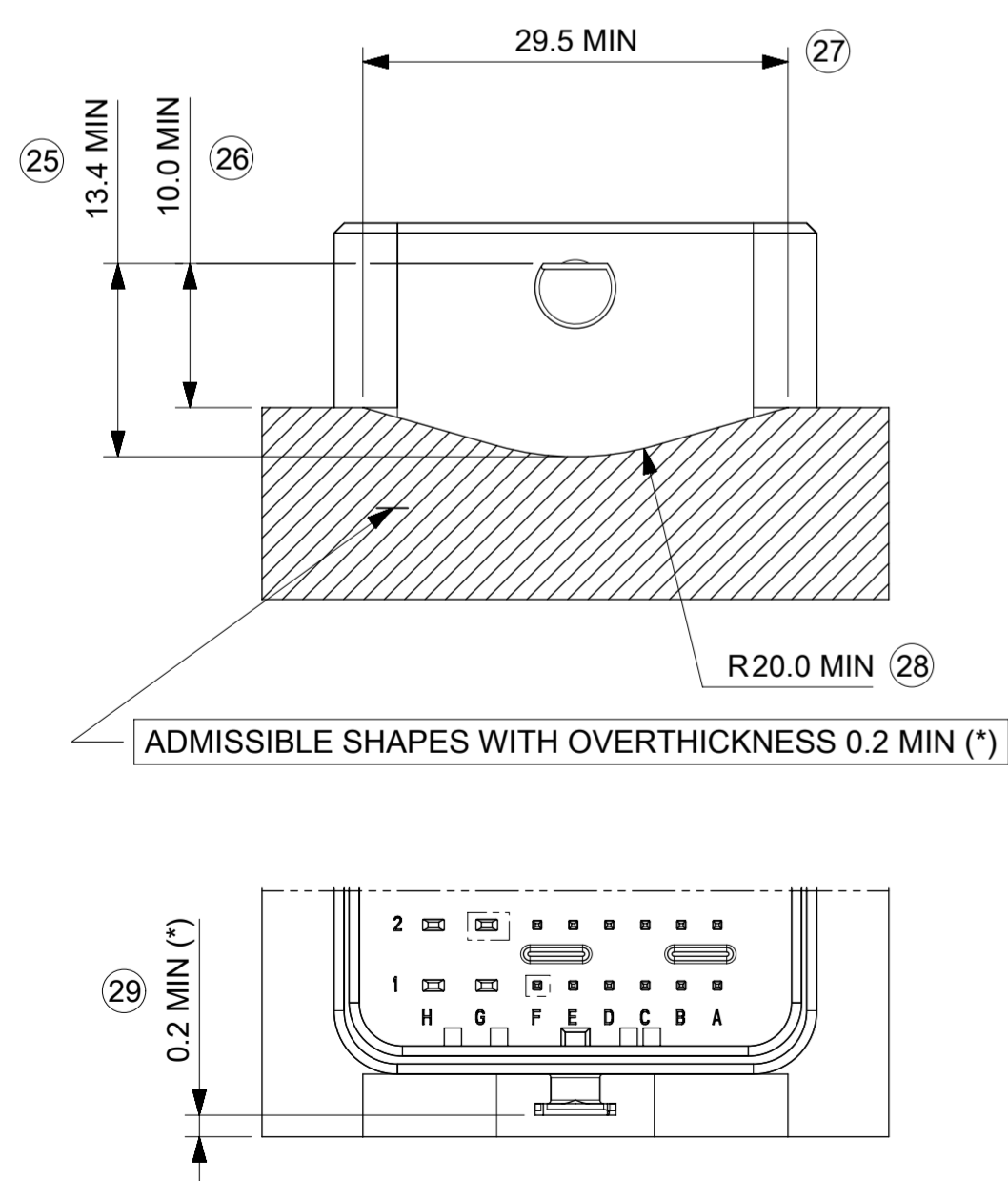
5:1



LOCKING AXIS PROTECTION

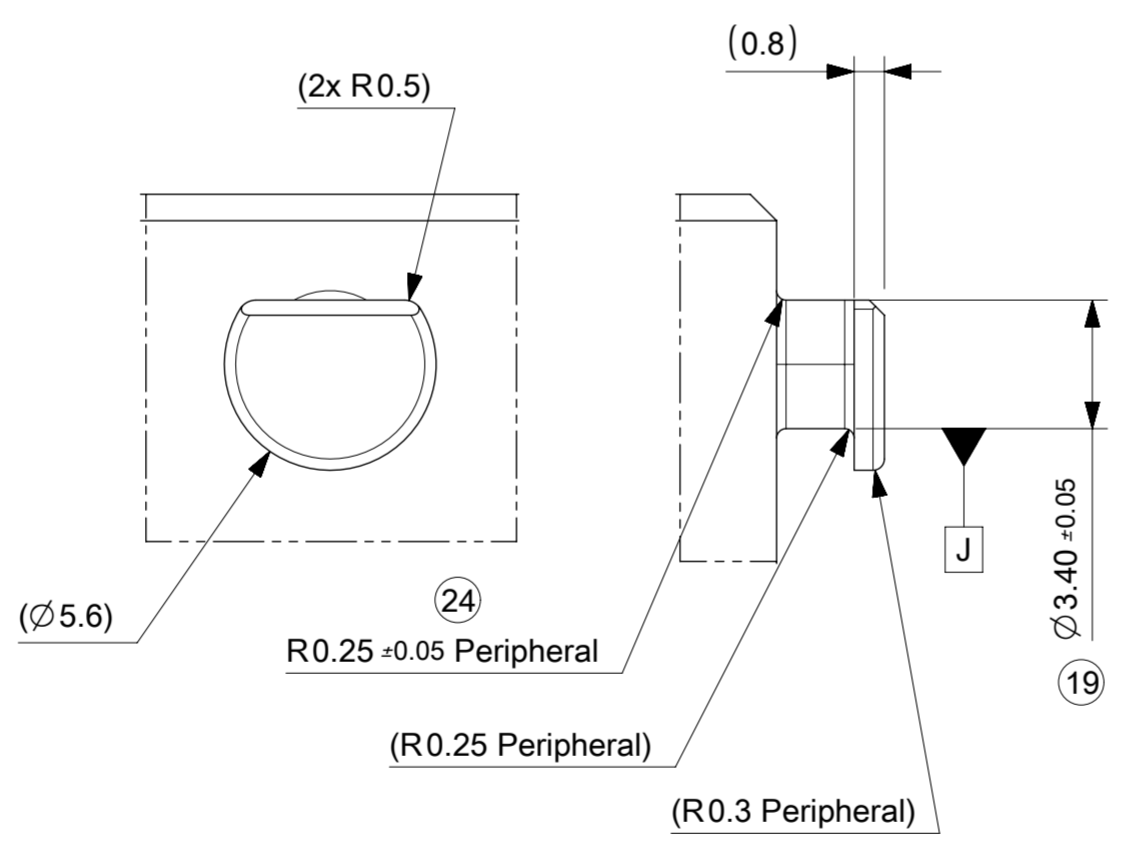
5:1

MANDATORY OVERTHICKNESS: dimension noted (*)
IF THE LOCKING AXIS ARE OUT OF
EQUIPMENT OVERALL DIMENSIONS.



LOCKING AXIS DEFINITION

5:1



THIS DRAWING CONTAINS INFORMATION THAT IS PROPRIETARY TO MOLEX ELECTRONIC TECHNOLOGIES, LLC AND SHOULD NOT BE USED WITHOUT WRITTEN PERMISSION

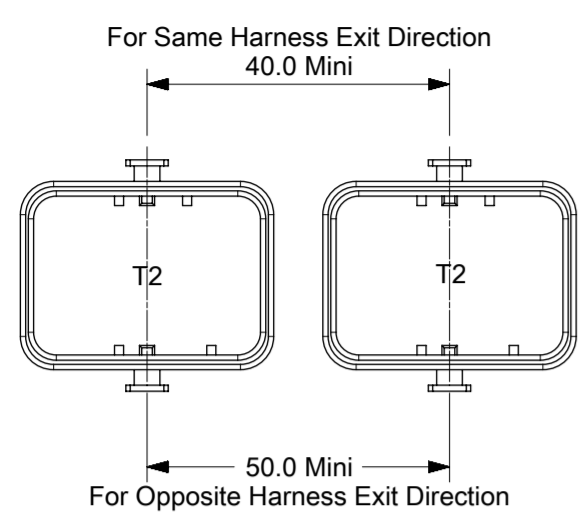
DIMENSION UNITS	SCALE	CURRENT REV DESC: NX RE-MASTERING	
mm	1:1		
GENERAL TOLERANCES (UNLESS SPECIFIED)			
ANGULAR TOL	± 2.0°	EC NO: 603689	
4 PLACES	± 0.1	DRWN: GMANIVANNAN 2018/07/17	
3 PLACES	± 0.1	CHK'D: OPLESSIS 2018/08/31	
2 PLACES	± 0.1	APPR: SLAFAURE 2018/09/03	
1 PLACE	± 0.1	INITIAL REVISION:	
0 PLACES	±	DRWN: GDESBRUERES 2008/10/02	
		APPR: OPLESSIS 2008/10/06	
DRAFT WHERE APPLICABLE MUST REMAIN WITHIN DIMENSIONS	FIRST ANGLE PROJECTION	DRAWING	SERIES
		A2-SIZE	98644
DOCUMENT STATUS	DOC TYPE	CUSTOMER	SHEET NUMBER
P1	PSD	GENERAL MARKET	2 OF 3
RELEASE DATE	DOCUMENT NUMBER	MATERIAL NUMBER	REVISION
2018/09/03	SD-98644-006	N/A	001 B1

molex

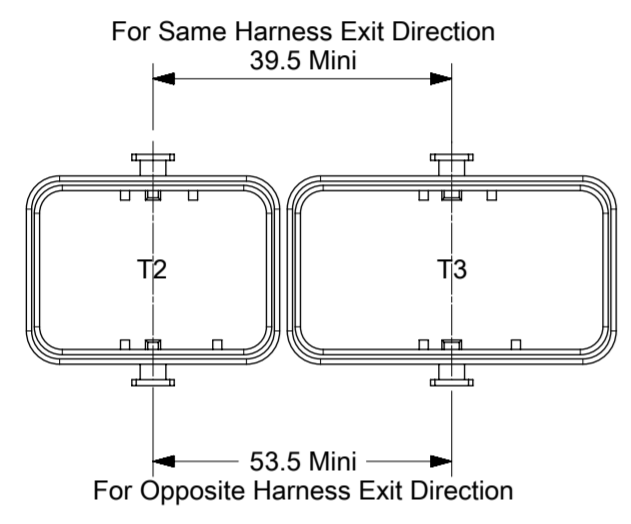
32 & 48CKT CMC INTERFACE

PRODUCT CUSTOMER DRAWING

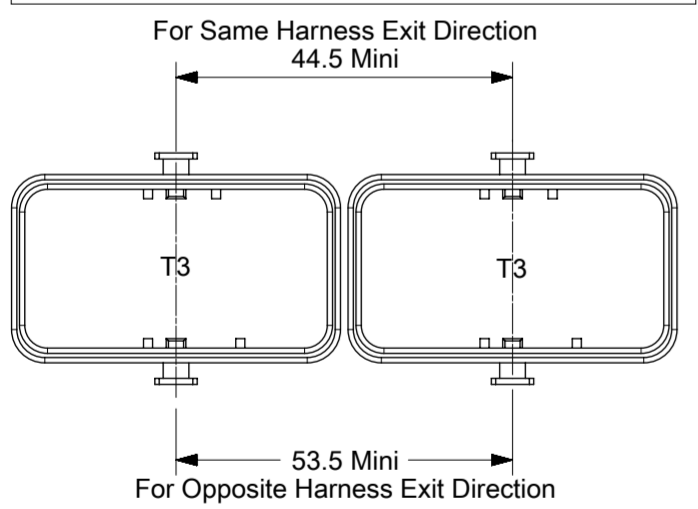
LAYOUT FOR TWO INTERFACES T2 (32W)



LAYOUT FOR TWO INTERFACES T2 (32W) AND T3 (48W)



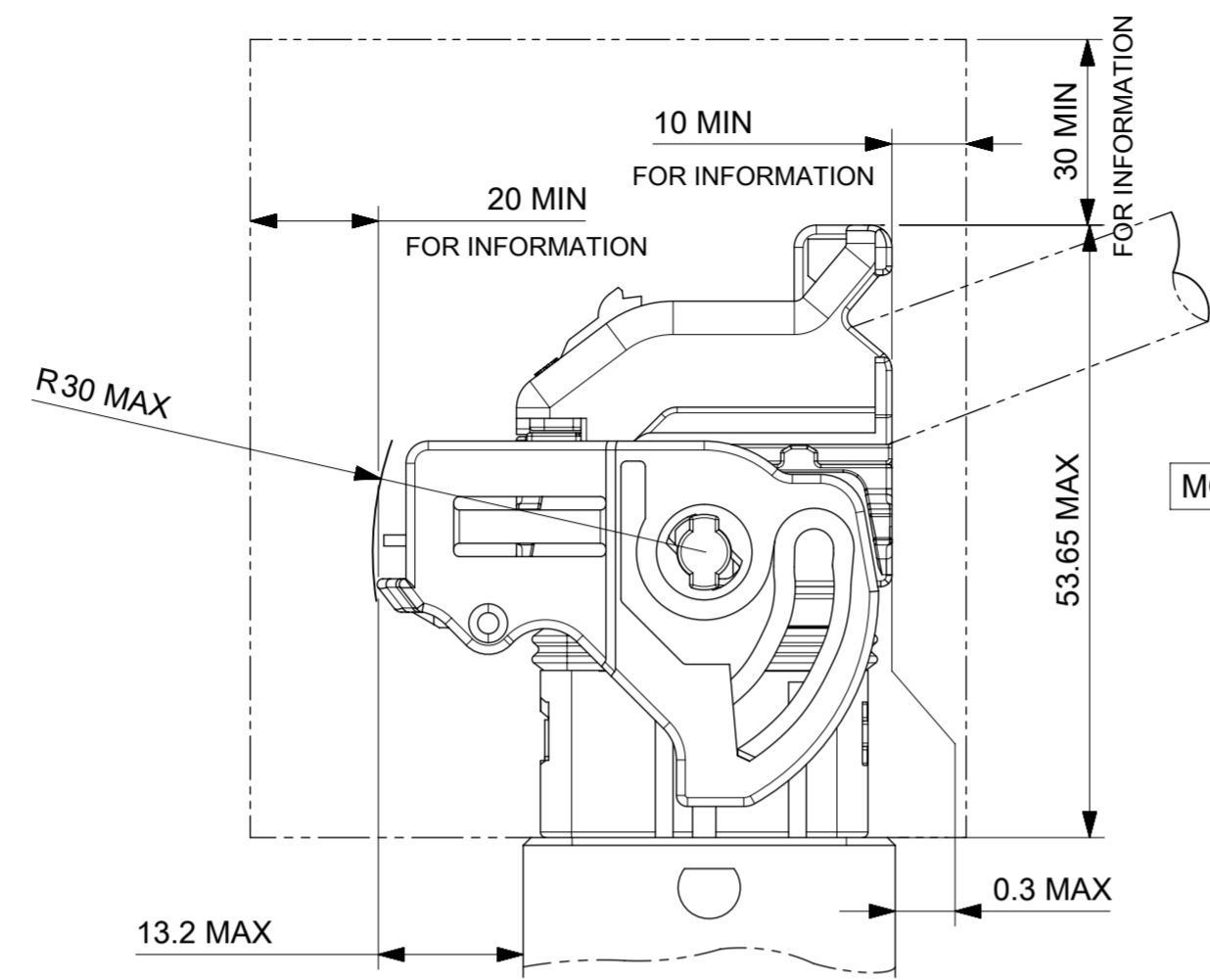
LAYOUT FOR TWO INTERFACES T3 (48W)



MULTI - HEADERS LAYOUT

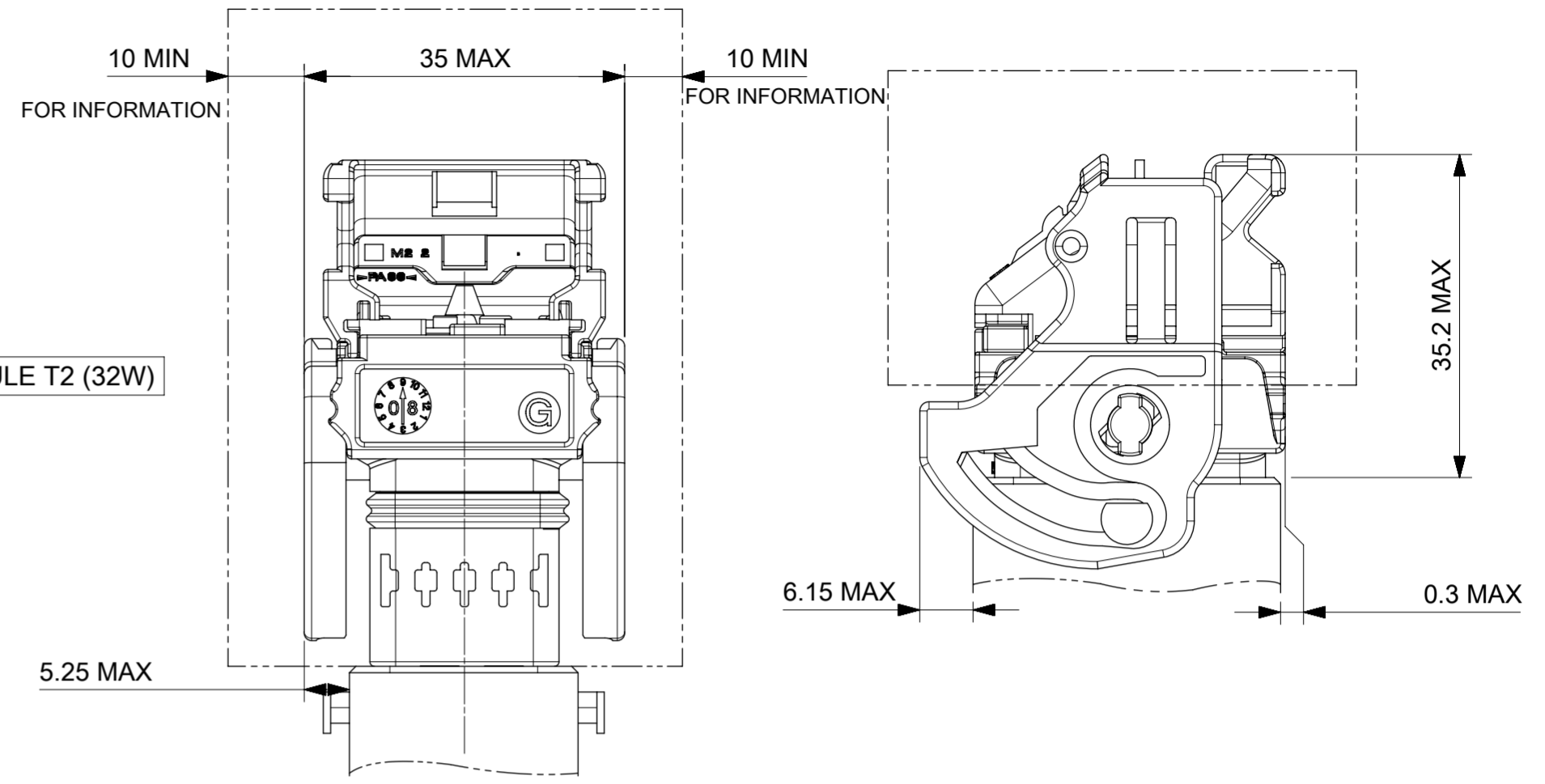
CONNECTOR ON HEADER - OVERALL DIMENSIONS

UNLOCKED CONNECTOR - OVERALL DIMENSIONS

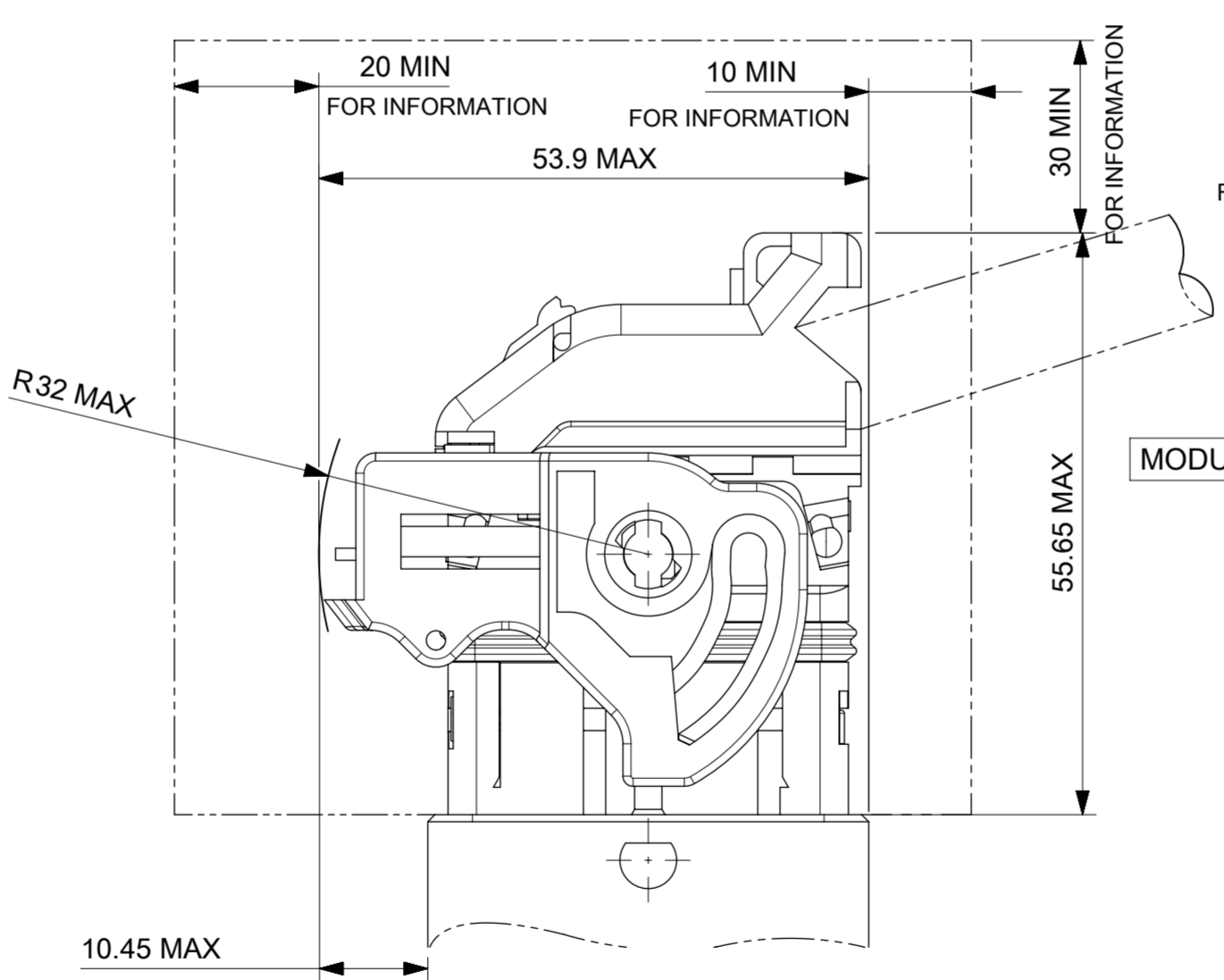


MODULE T2 (32W)

LOCKED CONNECTOR - OVERALL DIMENSIONS

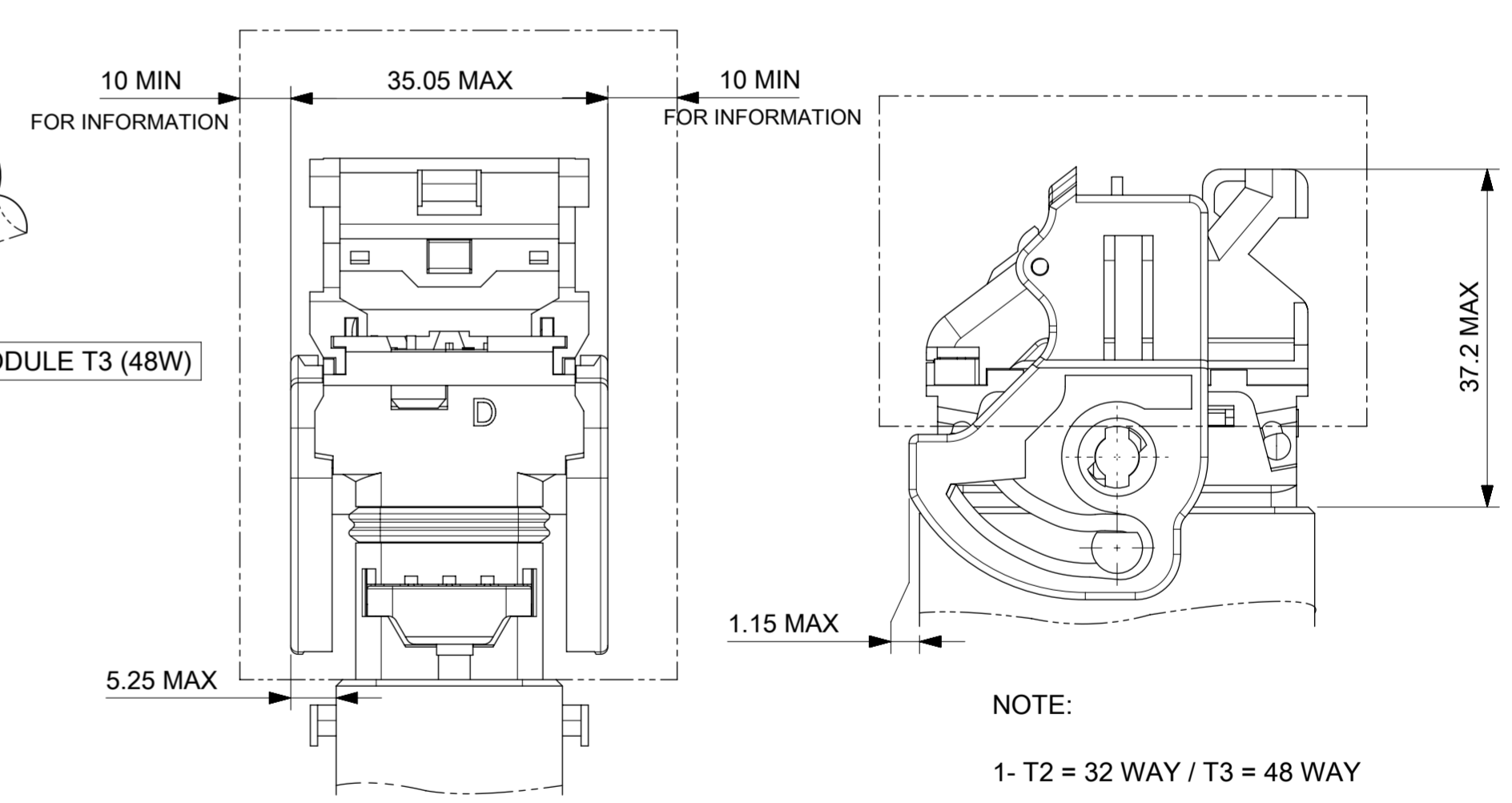


UNLOCKED CONNECTOR - OVERALL DIMENSIONS

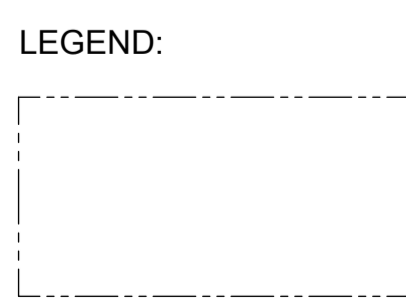


MODULE T3 (48W)

LOCKED CONNECTOR - OVERALL DIMENSIONS



NOTE:
1- T2 = 32 WAY / T3 = 48 WAY



LEGEND:
FREE VOLUME FOR MANUAL LOCKING AND UNLOCKING
DIMENSIONS GIVEN FOR INFORMATION ONLY BE
CONFIRMED BASED UPON VEHICLE CONFIGURATION.

THIS DRAWING CONTAINS INFORMATION THAT IS PROPRIETARY TO MOLEX ELECTRONIC TECHNOLOGIES, LLC AND SHOULD NOT BE USED WITHOUT WRITTEN PERMISSION

DIMENSION UNITS	SCALE	CURRENT REV DESC: NX RE-MASTERING	
mm	1:1		
GENERAL TOLERANCES (UNLESS SPECIFIED)			
ANGULAR TOL	± 2.0°	EC NO:	603689
4 PLACES	± 0.1	DRWN:	SLAFAURE 2018/07/17
3 PLACES	± 0.1	CHK'D:	OPLESSIS 2018/08/31
2 PLACES	± 0.1	APPR:	SLAFAURE 2018/09/03
1 PLACE	± 0.1	INITIAL REVISION:	
0 PLACES	±	DRWN:	GDESBRUERES 2008/10/02
		APPR:	OPLESSIS 2008/10/06
DRAFT WHERE APPLICABLE MUST REMAIN WITHIN DIMENSIONS	FIRST ANGLE PROJECTION	DRAWING	SERIES
		A2-SIZE	98644

molex			
32 & 48CKT CMC INTERFACE			
PRODUCT CUSTOMER DRAWING			
DOCUMENT NUMBER	DOC TYPE	DOC PART	REVISION
SD-98644-006	PSD	001	B1
MATERIAL NUMBER	CUSTOMER	SHEET NUMBER	
N/A	GENERAL MARKET	3 OF 3	