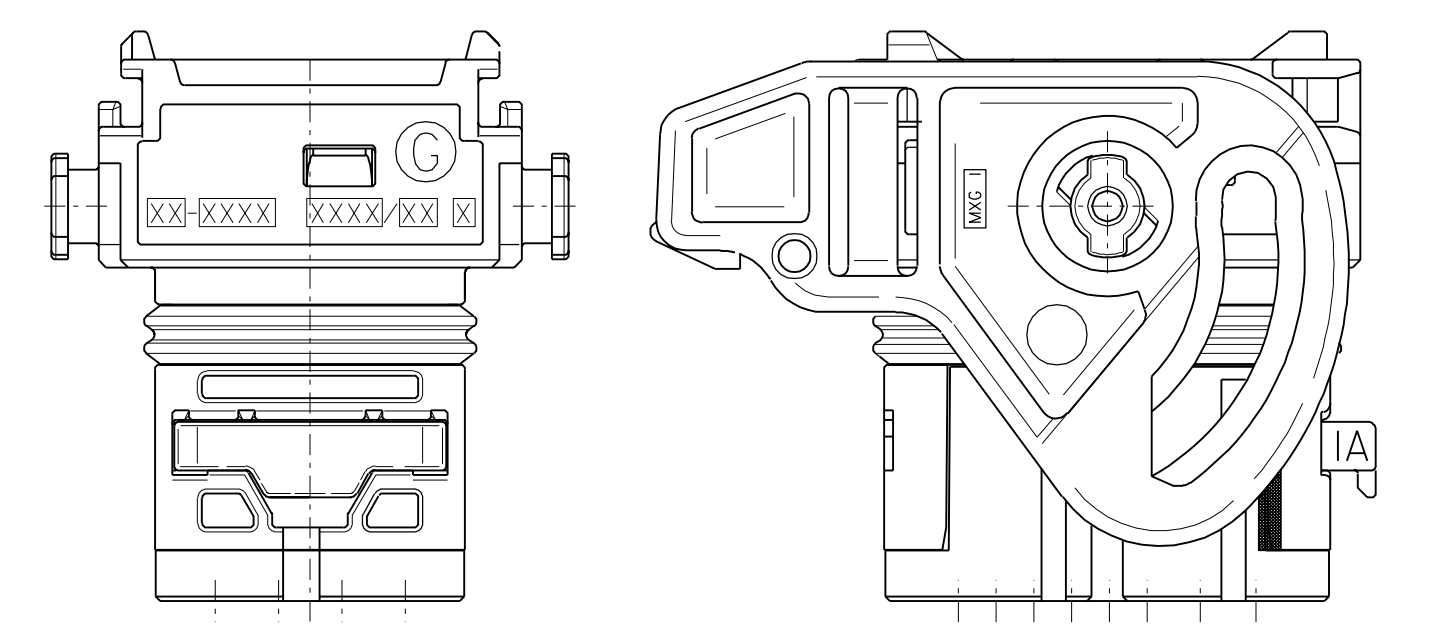
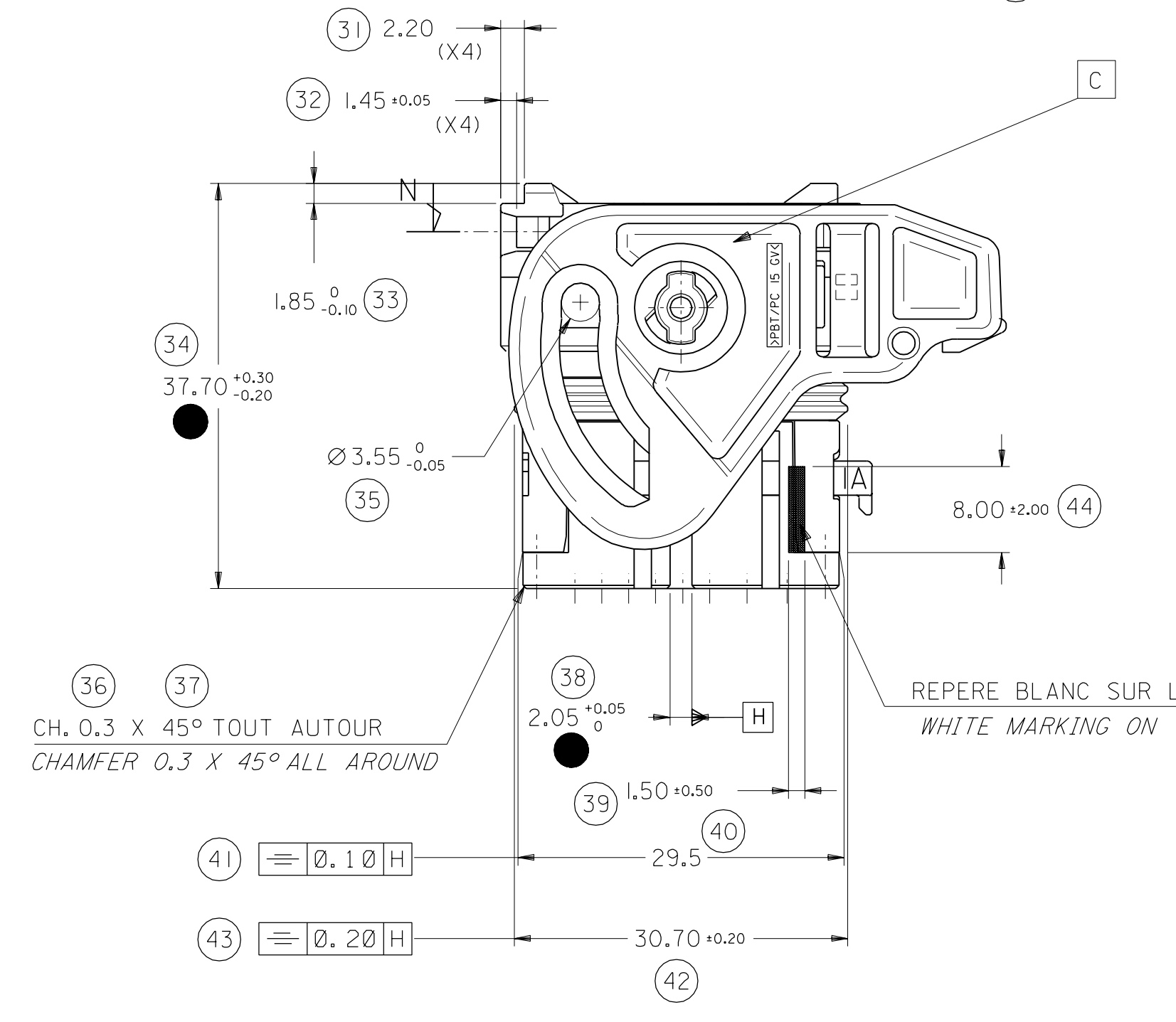
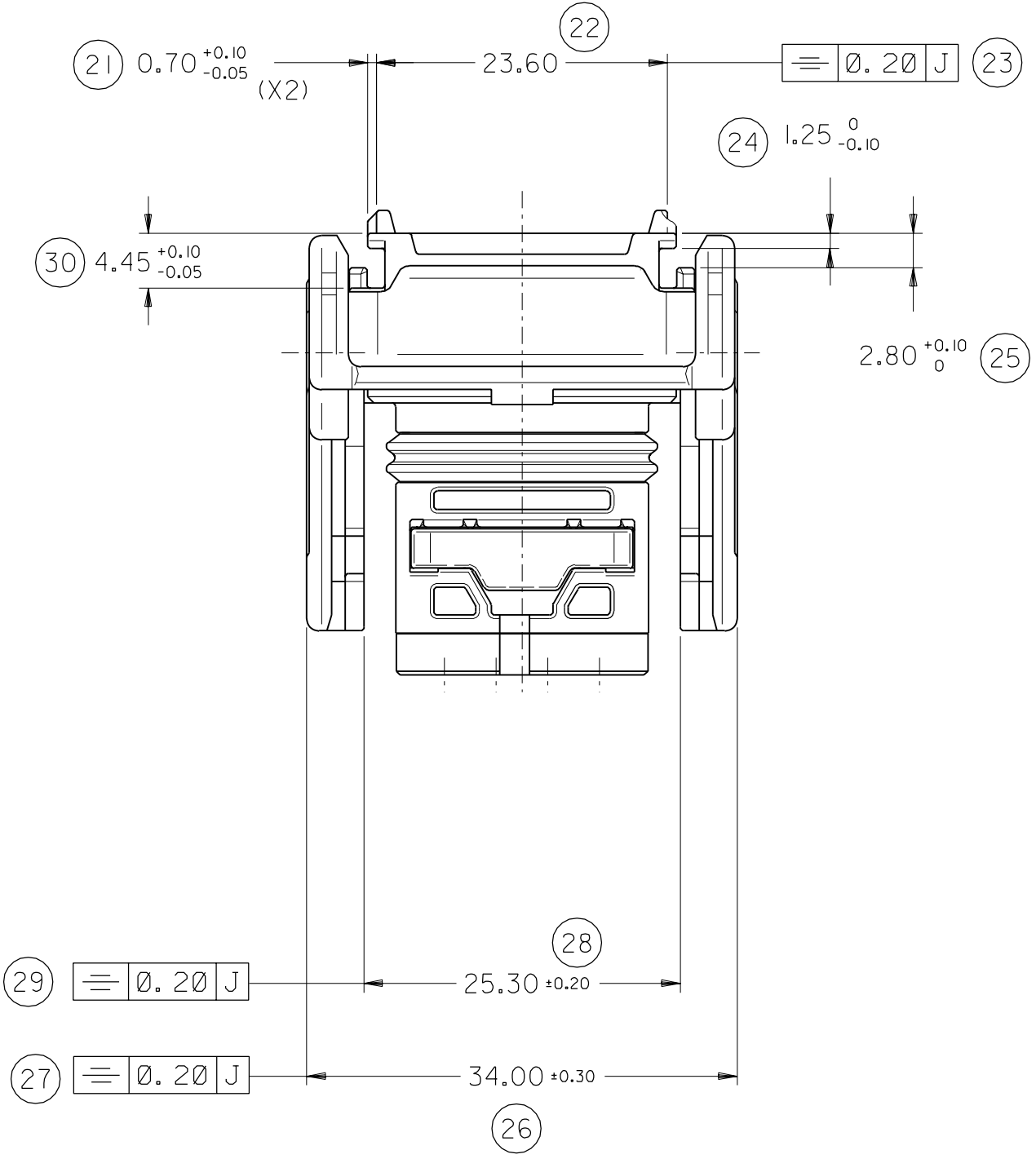


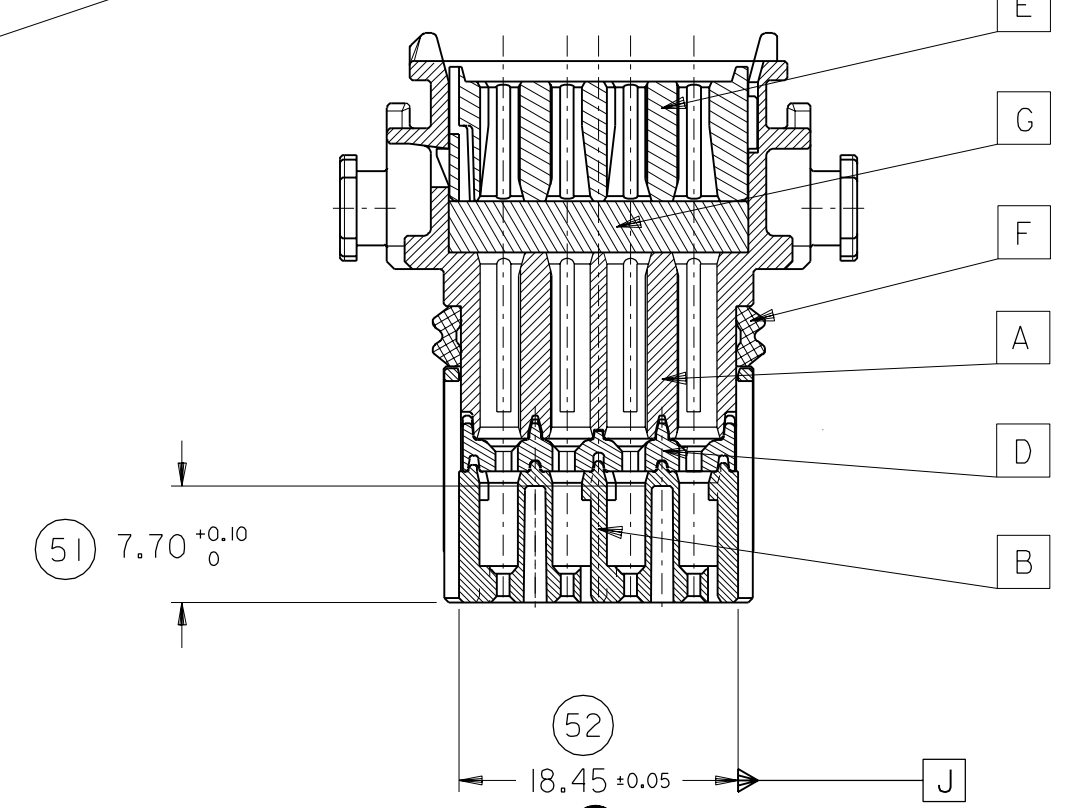
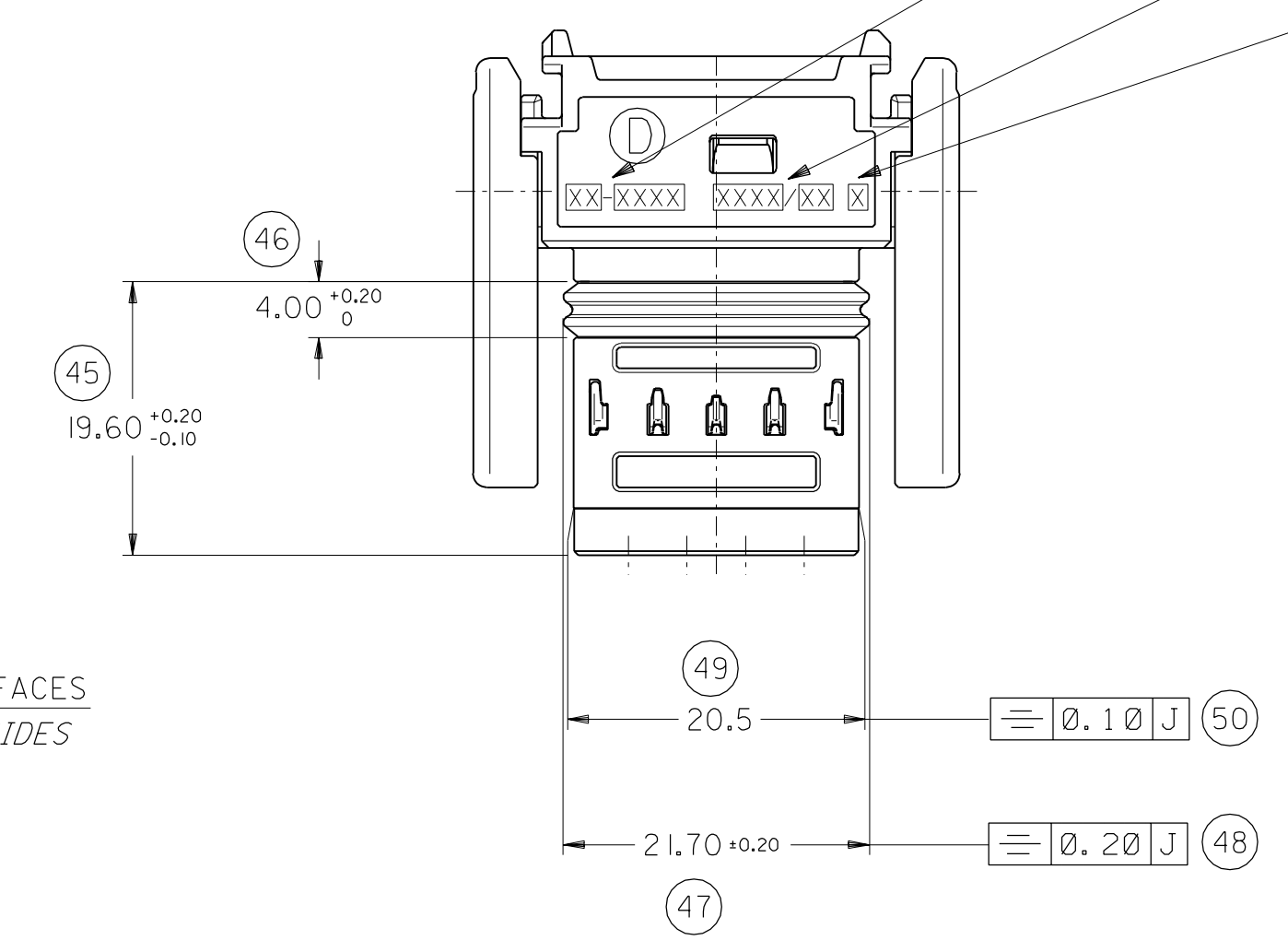
PORTE-CLIPS 32 VOIES SORTIE DROITE FEMALE MODULE 32 WAY RIGHT WIRE OUTPUT	
REF. MOLEX / MOLEX P/N	COULEUR / COLOUR
98644-2001	NOIR / BLACK
98644-2002	GRIS / GREY
98644-2003	MARRON / BROWN
98644-2004	VERT / GREEN
98644-2005	BLEU / BLUE
PORTE-CLIPS 32 VOIES SORTIE GAUCHE FEMALE MODULE 32 WAY LEFT WIRE OUTPUT	
REF. MOLEX / MOLEX P/N	COULEUR / COLOUR
98644-3001	NOIR / BLACK
98644-3002	GRIS / GREY
98644-3003	MARRON / BROWN
98644-3004	VERT / GREEN
98644-3005	BLEU / BLUE



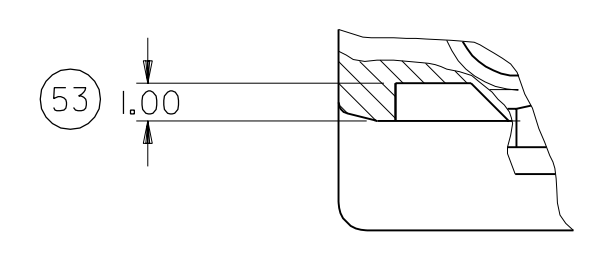
(LEVIER NON REPRESENTE)
(LEVER NOT SHOWN)
Lettre G visible. Sortie gauche
Letter G visible. Left wire output



REPERE BLANC SUR LES DEUX FACES
WHITE MARKING ON THE TWO SIDES
CH. 0.3 X 45° TOUT AUTOUR
CHAMFER 0.3 X 45° ALL AROUND



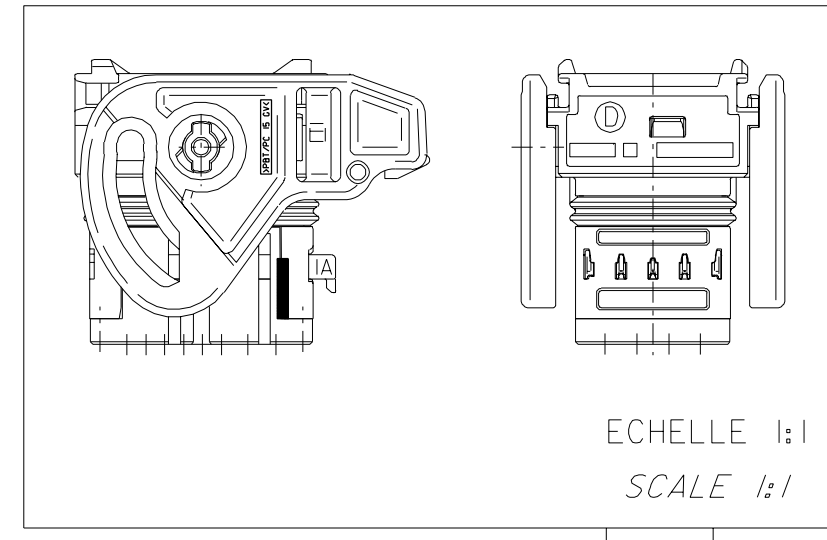
SECTION A-A
(LEVIER NON REPRESENTE)
(LEVER NOT SHOWN)



SECTION N
(ECH. 5:1)

NOTES:

- LE PORTE-CLIPS ASSEMBLE REPRESENTE EST LA VERSION SORTIE DROITE CODAGE I
FOR ILLUSTRATION PURPOSE THE FEMALE MODULE SHOWN IS THE RIGHT WIRE OUTPUT VERSION CODING I
- IMPLANTATION DES CLIPS, ENCOMBREMENTS, DETROMPAGE SUIVANT INTERFACE CONNECTIQUE PSA STE 9629500099 ET RENAULT 7 710 001 079
CLIPS LAYOUT, CODING FOLLOWING PSA INTERFACE CONNECTIQUE STE 9629500099 AND RENAULT 7 710 001 079
- REFERENCE DES CONNEXIONS SUIVANT STE 9619749880 ET STE 962842138B
TERMINAL PART NUMBER FOLLOWING STE 9619749880 AND STE 962842138B
- PRODUIT CONFORME A LA SPECIFICATION PSA STE 9629568099
PRODUCT IN ACCORDANCE WITH PSA SPECIFICATION STE 9629568099
- CAHIER DE PRECONISATION: AS-98644-005
APPLICATION SPECIFICATION: AS-98644-005
- LE PORTE-CLIPS EQUIPE S'ASSEMBLE AVEC LE CAPOT REFERENCE: 98649-1001
THE ASSEMBLED FEMALE MODULE IS ASSEMBLED WITH THE COVER PART NUMBER: 98649-1001



ECHELLE 1:1
SCALE 1:1

98657-0001	G	JOINT GEL GROMMET GEL GROMMET SEAL	SILICONE	BLEU / BLUE
98656-0001	F	JOINT INTERFACIAL PERIMETER SEAL	SILICONE	BLEU / BLUE
98648-1001	E	GRILLE DE COMPRESSION REAR SEAL COVER	PBTP 20% G.F.	BLEU / BLUE
98647-1001	D	DOUBLE VERROUILLAGE SECONDARY LOCKING	PBTP 30% G.F.	VERT / GREEN
98646-1001	C	LEVIER / LEVER	PBT/PC 15% G.F.	GRIS / GREY
98645-1003	B	BOITIER INFERIEUR BOTTOM HOUSING	PBTP 20% G.F.	MARRON / BROWN
98645-1002				GRIS / GREY
98645-1001				NOIR / BLACK
98644-1001	A	BOITIER SUPERIEUR TOP HOUSING	PBTP 20% G.F.	NOIR / BLACK
REF. MOLEX MOLEX PART NUMBER	REP.	DESIGNATION	MATIERE / MATERIAL	COULEUR / COLOUR

INDICATION DIMENSIONS S.P.C
DENOTES S.P.C DIMENSIONS
 INDICATION DIMENSIONS FONCTIONNELLES
DENOTES FUNCTIONAL DIMENSIONS
 QUANTITE PAR FEUILLE INDIVIDUELLE
QUANTITY PER INDIVIDUAL SHEET
 = 0 PLACE(S) = 3 PLACE(S)

EC NO. G2002-0335 DRWN: CBO 02/06/04 CHK: / / / / / APPR: / / / / /	QUALITY SYMBOLS MAJOR = CRITICAL = C =	GENERAL TOLERANCES: (UNLESS SPECIFIED) <table border="1"> <tr> <th></th> <th>mm</th> <th>INCH</th> </tr> <tr> <td>4 PLACES</td> <td>±0.</td> <td>±.</td> </tr> <tr> <td>3 PLACES</td> <td>±0.</td> <td>±.</td> </tr> <tr> <td>2 PLACES</td> <td>±0.10</td> <td>±.</td> </tr> <tr> <td>1 PLACE</td> <td>±0.15</td> <td>±.</td> </tr> </table>		mm	INCH	4 PLACES	±0.	±.	3 PLACES	±0.	±.	2 PLACES	±0.10	±.	1 PLACE	±0.15	±.	SCALE 2:1 DESIGN UNITS mm INCH X mm ONLY	DRAWN BY & DATE PGR 99/12/12 CHECKED BY & DATE PDE 00/02/02 APPROVED BY & DATE CBO 00/02/02	FIRST ANGLE PROJECTION THIRD ANGLE PROJECTION	DIMENSIONS: <input type="checkbox"/> mm <input type="checkbox"/> INCH <input checked="" type="checkbox"/> mm ONLY	SHT 2 REV B REVISE ON CAD ONLY
				mm	INCH																	
4 PLACES	±0.	±.																				
3 PLACES	±0.	±.																				
2 PLACES	±0.10	±.																				
1 PLACE	±0.15	±.																				
DRAFT WHERE APPLICABLE MUST REMAIN WITHIN DIMENSIONS	CAD FILENAME S98644X5.DGN MATERIAL NO. SEE CHART DRAWING NO. SD-98644-010 SHEET NO. 1 OF 2	TITLE: PORTE-CLIPS 32 VOIES CMC FEMALE MODULE CMC 32 WAY SALES DRAWING MOLEX INCORPORATED	THIS DRAWING CONTAINS INFORMATION THAT IS PROPRIETARY TO MOLEX INCORPORATED AND SHOULD NOT BE USED WITHOUT WRITTEN PERMISSION.	SIZE D																		