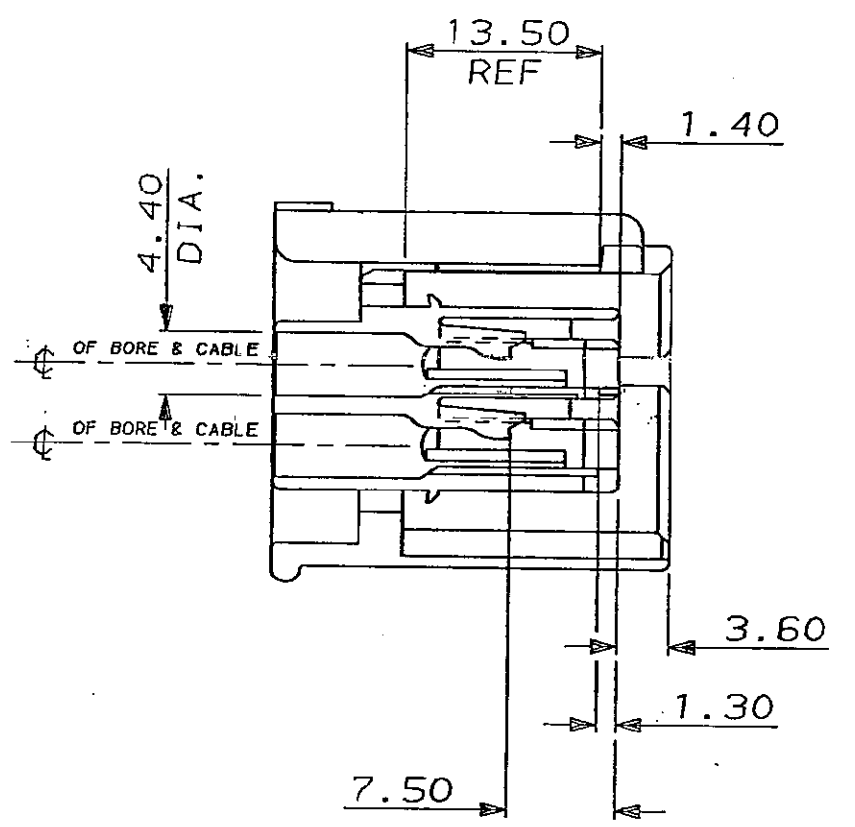
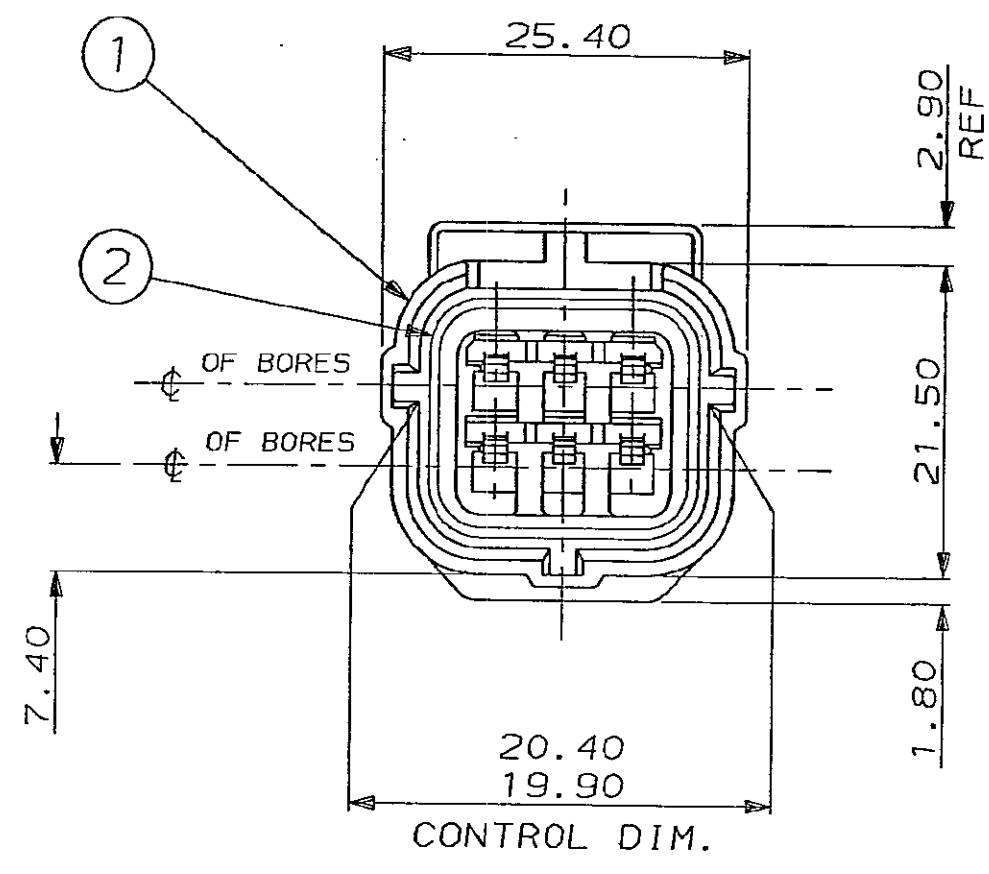
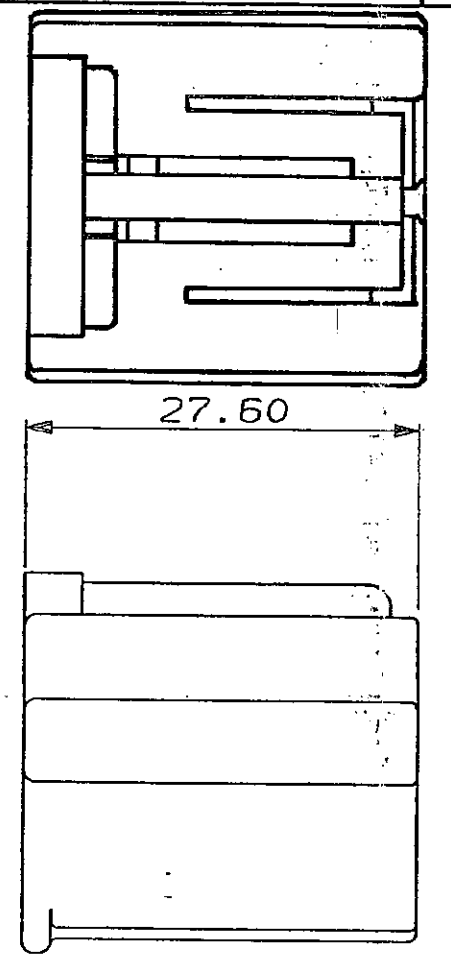
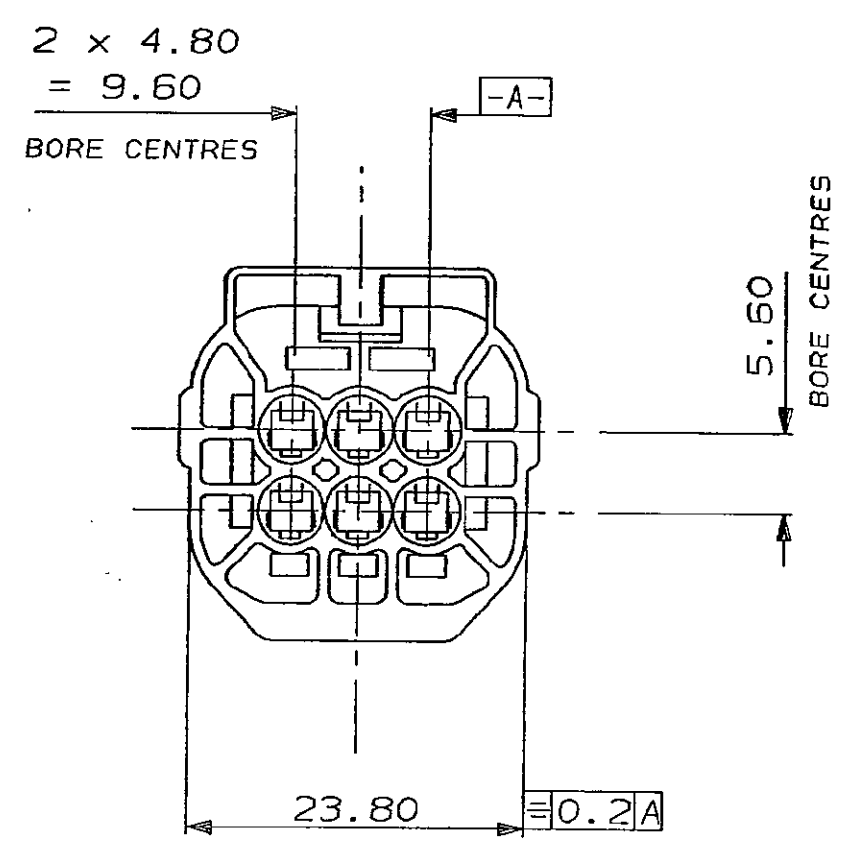


C.A.D. FILE CODE
S. C344267

DO NOT SCALE DIMENSIONS IN MM.



SCRAP VIEW (SEAL NOT SHOWN)

ITEM No.	MATERIAL	PT. NO. OR COLOUR	DESCRIPTION	QTY. PER ASSY.	ASSEMBLY PART No.
2	NITRILE RUBBER	GREY	PERIPHERAL SEAL	1	1-344267-4
1	NYLON 66	344266-4	6 WAY REC. HSG.	1	WHITE
2	NITRILE RUBBER	GREY	PERIPHERAL SEAL	1	1-344267-3
1	NYLON 66	344266-3	6 WAY REC. HSG.	1	BLUE
2	NITRILE RUBBER	GREY	PERIPHERAL SEAL	1	1-344267-2
1	NYLON 66	344266-2	6 WAY REC. HSG.	1	RED
2	NITRILE RUBBER	GREY	PERIPHERAL SEAL	1	1-344267-1
1	NYLON 66	344266-1	6 WAY REC. HSG.	1	BLACK
2	SILICONE RUBBER	ORANGE	PERIPHERAL SEAL	1	344267-4
1	NYLON 66	344266-4	6 WAY REC. HSG.	1	WHITE
2	SILICONE RUBBER	ORANGE	PERIPHERAL SEAL	1	344267-3
1	NYLON 66	344266-3	6 WAY REC. HSG.	1	BLUE
2	SILICONE RUBBER	ORANGE	PERIPHERAL SEAL	1	344267-2
1	NYLON 66	344266-2	6 WAY REC. HSG.	1	RED
2	SILICONE RUBBER	ORANGE	PERIPHERAL SEAL	1	344267-1
1	NYLON 66	344266-1	6 WAY REC. HSG.	1	BLACK

CUSTOMER DWG FOR REFERENCE ONLY				TOLERANCES UNLESS OTHERWISE STATED		DR. R. J. S.	
F	VIEW ADDED	EB00-0230-93	15-6-93	±0.1	±0.2	CH. R. R.	APP. B. J.
E	ADDED 1-344267-1, 2, 3 & 4	EB00-0002-95	4.1.95	±0.1	±0.2	5.11.87	
D	PER. SEAL MOD.	EB00-0240-94	9.5.94	DEC ± 0.5	±0.1	TERMINAL HOUSE STANMORE MIDDX.	
C	CON. DIM. WAS 20.15/19.95 ADDED -2 TO -4.	C5359	2.10.89	ANGLES ± 1°		AMP of Great Britain Ltd.	
B	UPDATED	C5241	11.5.89			NAME 6 WAY REC. HSG. ASSY. ECONOSEAL 3 LOW CURRENT	
A	UPDATED	C5014	29.7.88			SCALE	LOC
O	REL. FOR PROD.	C4896	15.5.88			SIZE	DWG. No.
REV	MODIFICATION	ECN	DATE	2/1	E	A2	C344267
							REV SHEET
							F 1/1