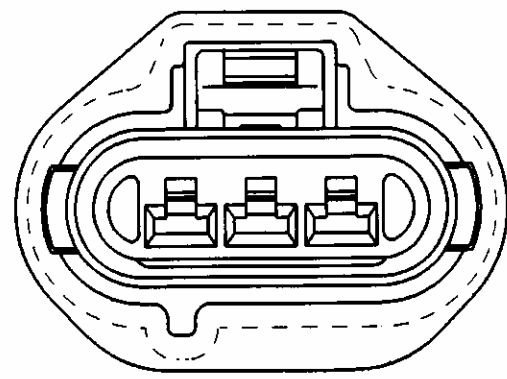
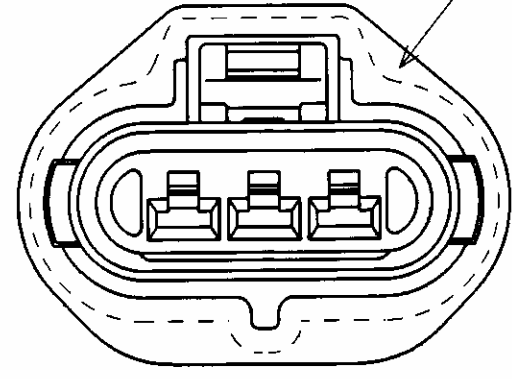


"A" POLARITY
7283-1334-30
(TPS SENSOR CONNECTOR)

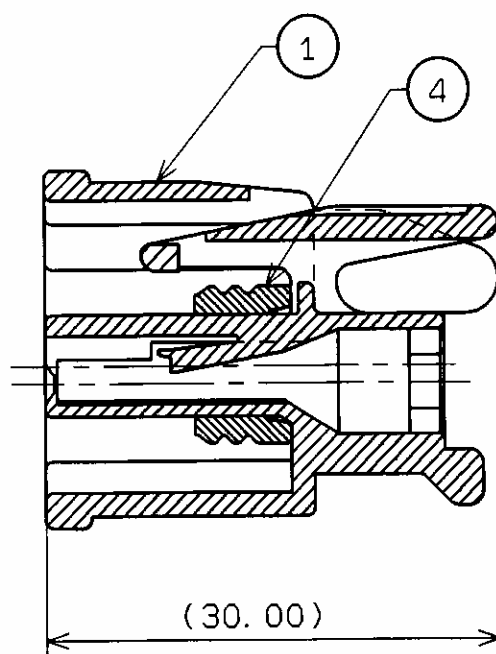
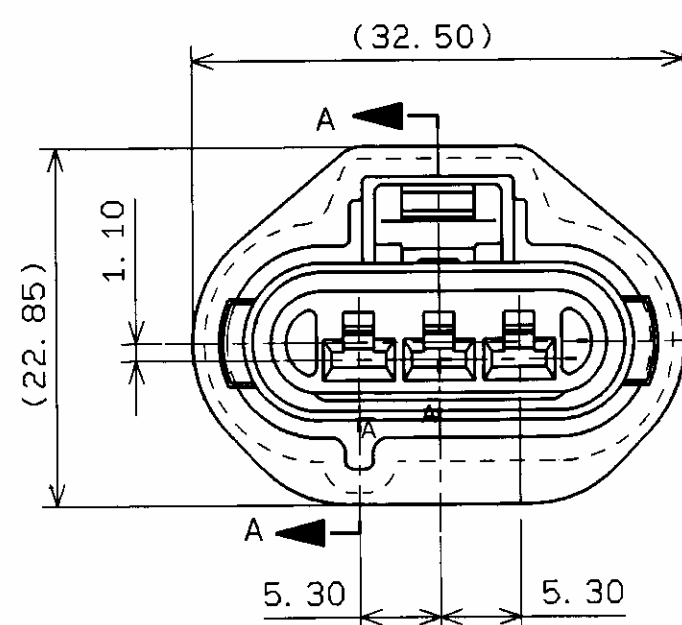
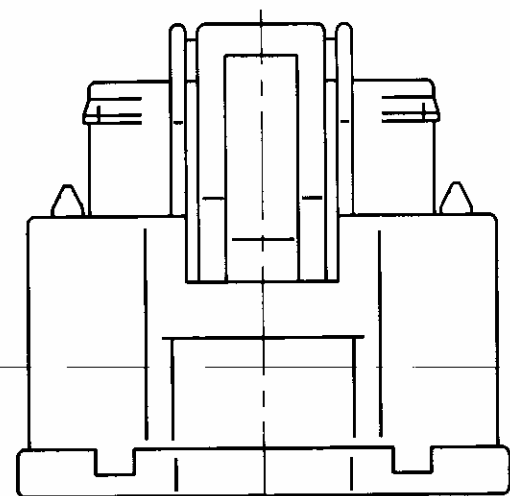


"B" POLARITY
7283-1333-10
(PFE SENSOR CONNECTOR)

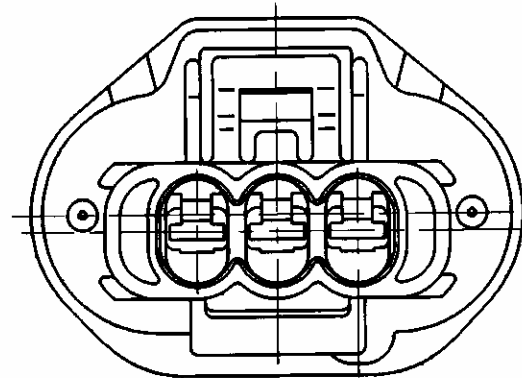


"C" POLARITY
7283-1335-40
(TPTA SENSOR CONNECTOR)

QTY.	NO.	PART NO.	MATERIAL	COLOR
	1	① 7183-1333-10	PBT	DK GREY
1		② 7183-1334-30	PBT	BLACK
1		③ 7183-1335-40	PBT	LT GREY
1	1	④ 7137-1585-40	SILICONE RUBBER	LT GREY
7283-1335-40				
7283-1334-30				
7283-1333-10				
SUB ASS'Y NO.				



SECTION A-A



NOTES

1. APPLICABLE TERMINAL PART NO. : 7116-1520 ETC.
2. APPLICABLE WIRE SEAL NO. : 7157-3891
7157-7933
7157-7935
3. APPLICABLE REAR HOLDER NO. : 7157-6827-30

DRAWING NUMBER

7283-1333-10:RA

LET	DATE	REVISION RECORD	NO.	CHKD
-	10.21.97	NEW	C97-A797	R. W.

GENERAL TOLERANCE					DWG TYPE	DWG SOURCE	DWG DATE	UNIT	SCL	ANGLE
A	±0.15	±0.2	±0.3	±0.5	R	NEW	12.18.92	mm	2/1	3
B	±0.2	±0.3	±0.55	±0.95	APPROVED	CHECKED	CHECKED	DESIGN	DRAWN	
©	±0.3	±0.5	±0.8	±1.4						
			±2							

CUSTOMER FORD MOTOR COMPANY		MATL. SPEC.	TREAT. & FIN.
CUSTOMER PART NO.	CUSTOMER DWG NO.	NAME DMS-TYPE CONNECTOR ASSEMBLY, 3P, F	
OFFICE YEE	TRIAL PART NO.	PFE/TPS/TPTA SENSOR CONNECTOR	
VENDOR	VENDOR NO.	PART NO. 7283-1333-10/7283-1334-30/7283-1335-40	
SPECIFIED		DWG NO. 7283-1333-10:RA	
WEIGHT 9		YAZAKI CORPORATION	

ISSUE MARK