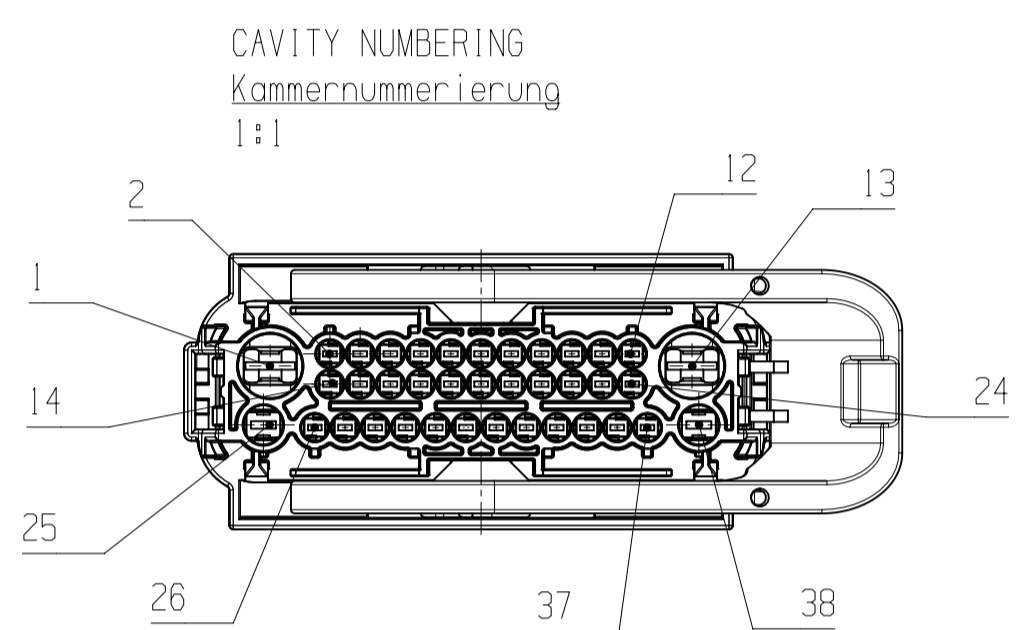
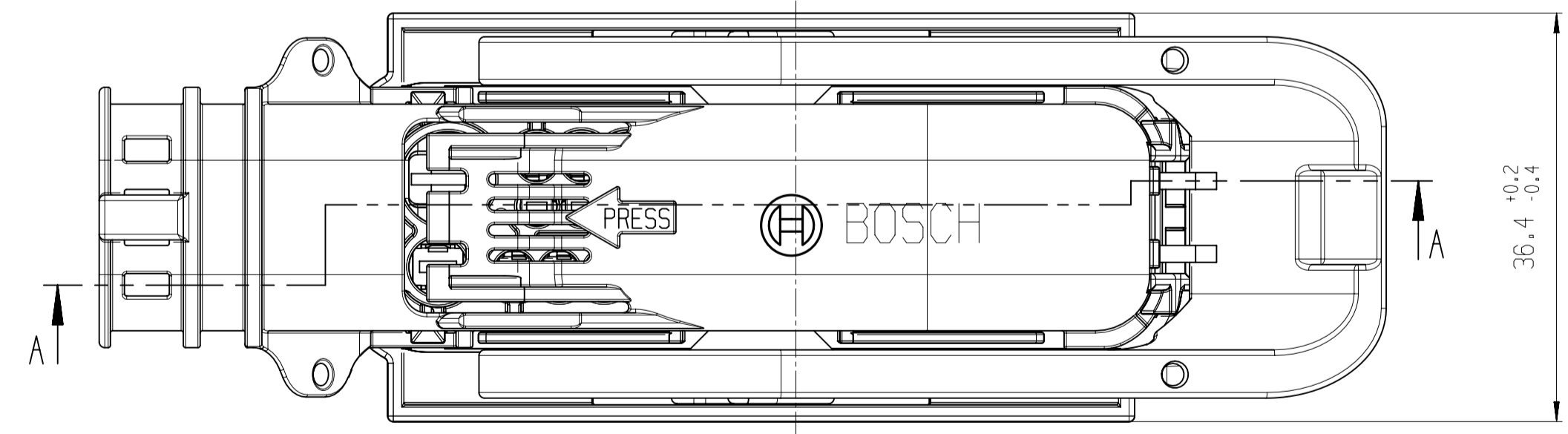
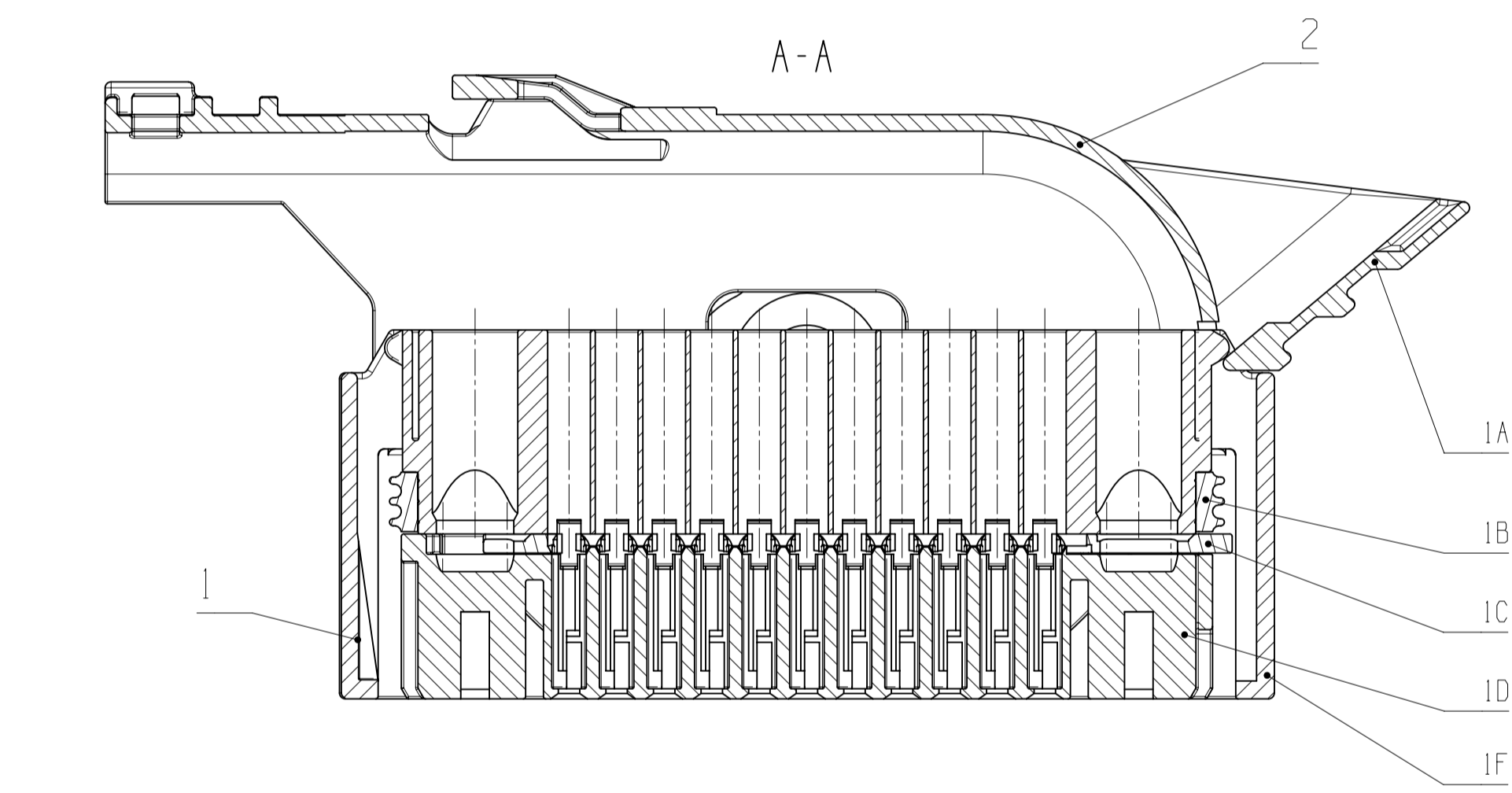
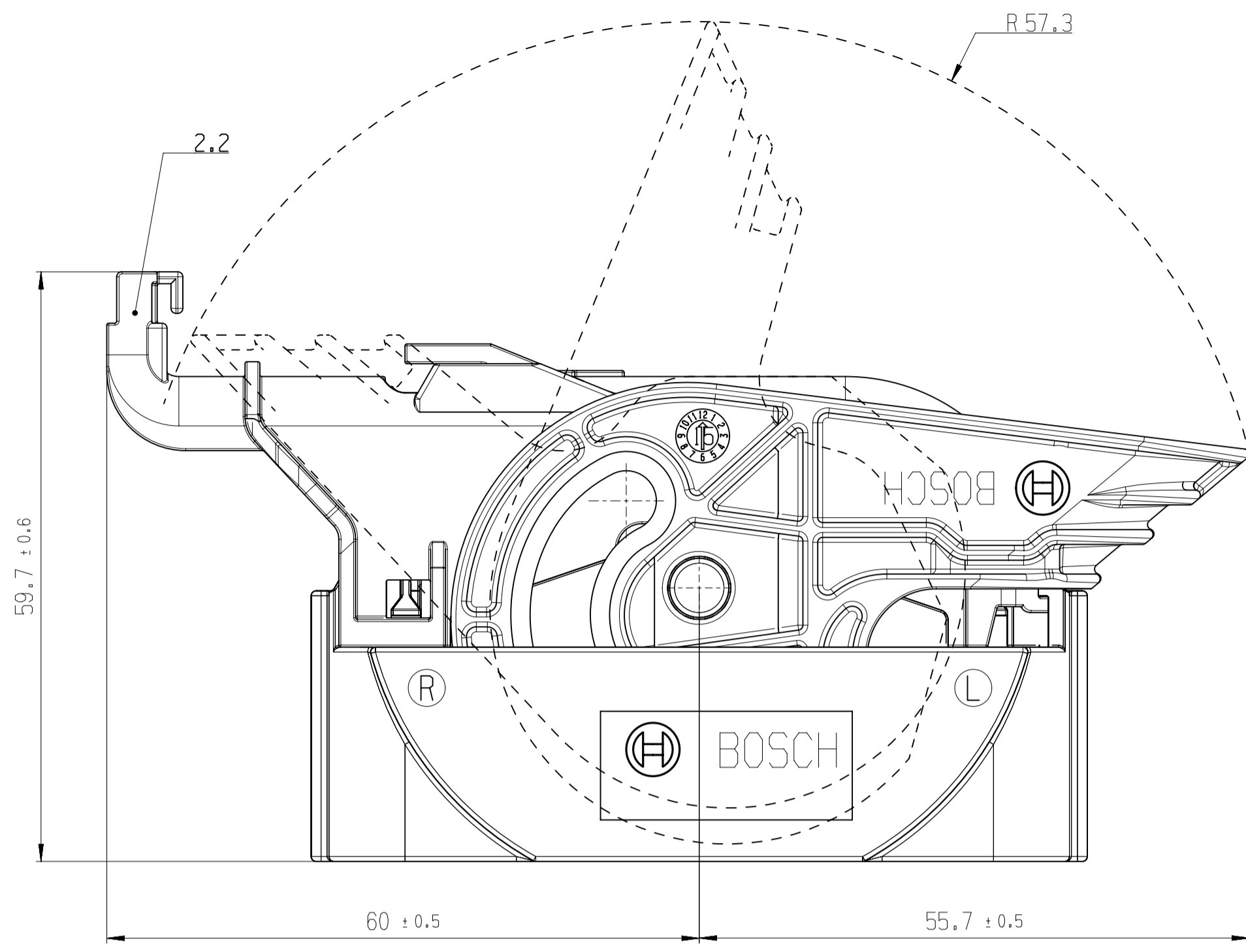
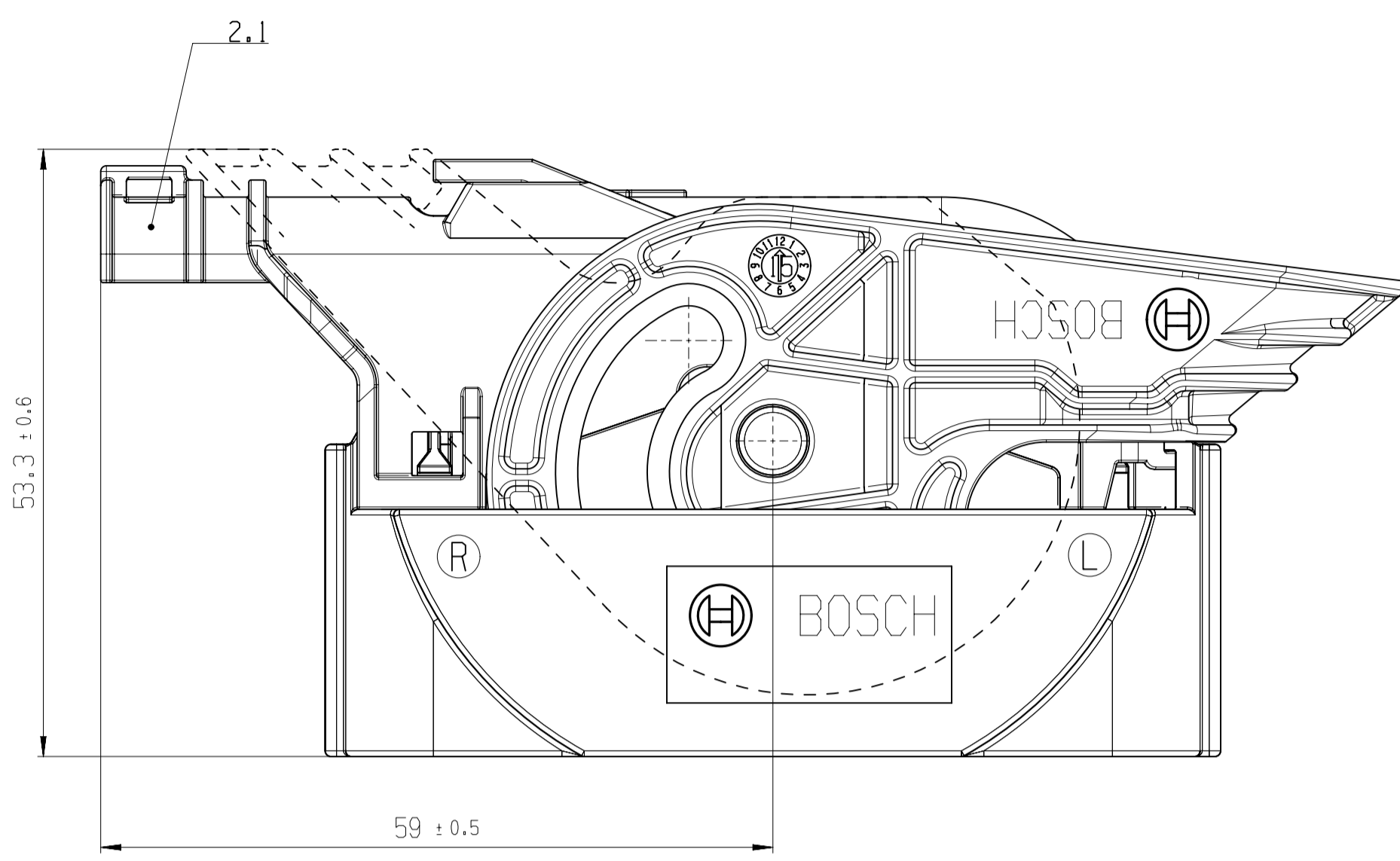


|  |                 |               |                 |               |                 |               |
|--|-----------------|---------------|-----------------|---------------|-----------------|---------------|
| CODE<br>Kodierung                            | 0               |               | 1               |               | 2               |               |
| ORDER NUMBER<br>Bestellnummer                | 1 928 405 168   | 1 928 405 167 | 1 928 405 153   | 1 928 405 154 | 1 928 405 155   | 1 928 404 981 |
| CUSTOMER PART NUMBER<br>"Kunden"-Teilenummer |                 |               |                 |               |                 |               |
| CABLE EXIT<br>Kabelabgang                    | RIGHT<br>Rechts | LEFT<br>Links | RIGHT<br>Rechts | LEFT<br>Links | RIGHT<br>Rechts | LEFT<br>Links |



BACK SIDE:  
VARIOUS VERSIONS PERMITTED  
Rueckseite:  
Unterschiedliche Ausfuehrungen zulassig

1 928 40. ...  
 >PA66 GF<



FIXATION OF THE WIRING HARNESS ON THE VIBRATION LEVEL OF THE CONTROL UNIT / THE COMPONENT / THE COUPLER AT THE MAX. OF 100mm AFTER CABLE EXIT.  
 Fixierung des Kabelbaums auf dem Schwingungsniveau des Steuergeraets / der Komponente / der Kupplung nach max. 100mm hinter dem Kabelabgang.

THE WIRING HARNESS HAS TO BE TAPED IN THE TRANSITION AREA TO ACCESSORY PARTS TO PREVENT THE WIRES FROM DAMAGE.  
 Der Kabelbaum ist im Uebergangsbereich zu Zubehoerteilen zu bandagieren, um ein Beschaedigen der Leitungen zu verhindern.

|              |   |                       |                  |
|--------------|---|-----------------------|------------------|
| 2            | COVER<br>Deckel                                       | PA66 GF               | BLACK<br>Schwarz |
| 1A           | LEVER<br>Hebel  | PA66 GF               | BLACK<br>Schwarz |
| 1B           | INTERFACE SEAL<br>Radialdichtung                      | LSR 30 SHORE          | ORANGE<br>Orange |
| 1C           | SECONDARY LOCKING<br>Sekundaerverriegelung            | PA66 GF               | LILAC<br>Lila    |
| 1D           | CONTACT HOUSING LOWER PART<br>Kontakttraegerunterteil | PA66 MK               | BEIGE<br>Beige   |
| 1F           | CONTACT HOUSING UPPER PART<br>Kontakttraegeroberteil  | PA66 GF               | BLACK<br>Schwarz |
| ITEM<br>Pos. | DESIGNATION<br>Benennung                              | MATERIAL<br>Werkstoff | COLOR<br>Farbe   |

GERMAN TEXT IS BINDING. Verbindlich ist der deutsche Text.  
 MODIFICATIONS RESERVED DUE TO FURTHER DEVELOPMENT. Aenderungen aufgrund der weiteren Entwicklung vorbehalten  
 PARTS MAY DIFFER IN NON-FUNCTIONAL DETAILS FROM THE PRESENTATION IN THIS DRAWING. Teile koennen in nicht funktions-relevanten Details vor der Darstellung in der Zeichnung abweichen.  
 THIS DRAWING ISN'T QUALIFIED FOR CONSTRUCTION OR TOOL BUILDING. Diese Zeichnung ist nicht fuer die Konstruktion oder Werkzeugerstellung geeignet  
 INCIDENCE OF '1' mm PER SIDE IS PERMITTED. Einfall von '1' mm je Seite ist erlaubt.

| PARTS TO BE USED<br>Zu verwendende Teile |   |                                       |                       | FITTING ACCESSORY PARTS<br>Passende Zubehoerteile |                            |                                    |                               |                       |
|--|---|---------------------------------------|-----------------------|---|----------------------------|------------------------------------|-------------------------------|-----------------------|
| 2  | COVER WITH EXIT ABOVE<br>Deckel Abgang oben   | 1 928 405 169                         | BOSCH CONNECTOR SALES |   | CLAMPING BAND<br>Spannband | C 265 152 006A                     | 1 928 401 713                 | BOSCH CONNECTOR SALES |
| 2  | COVER WITH EXIT FLAT<br>Deckel Abgang gerade  | 1 928 404 982                         | BOSCH CONNECTOR SALES |   |                            |                                    |                               |                       |
| 1  | CONTACT HOUSING UNIT<br>Kontakttraegereinheit | SEE CODE TABLE<br>Siehe Kodiertabelle | BOSCH CONNECTOR SALES |   |                            |                                    |                               | BOSCH CONNECTOR SALES |
| ITEM<br>Pos.                             | DESIGNATION<br>Benennung                      | ORDER NUMBER<br>Bestellnummer         | SUPPLIER<br>Lieferant | PART<br>Teil                                      | DESIGNATION<br>Benennung   | OFFER DRAWING<br>Angebotszeichnung | ORDER NUMBER<br>Bestellnummer | SUPPLIER<br>Lieferant |

PARTS HAVE TO BE ORDERED AT THE SUPPLIERS!  
 Teile sind bei Lieferanten zu bestellen!

|  |     |              |    |
|--|-----|--------------|----|
| ±mm  | ±mm | ±mm          | ±° |
| Linear size acc. to / Grossmaesse nach ISO 14405-1:2010-12 |     |              |    |
| drawing standard / Zeichnungsstandard                      |     | ISO Standard |    |

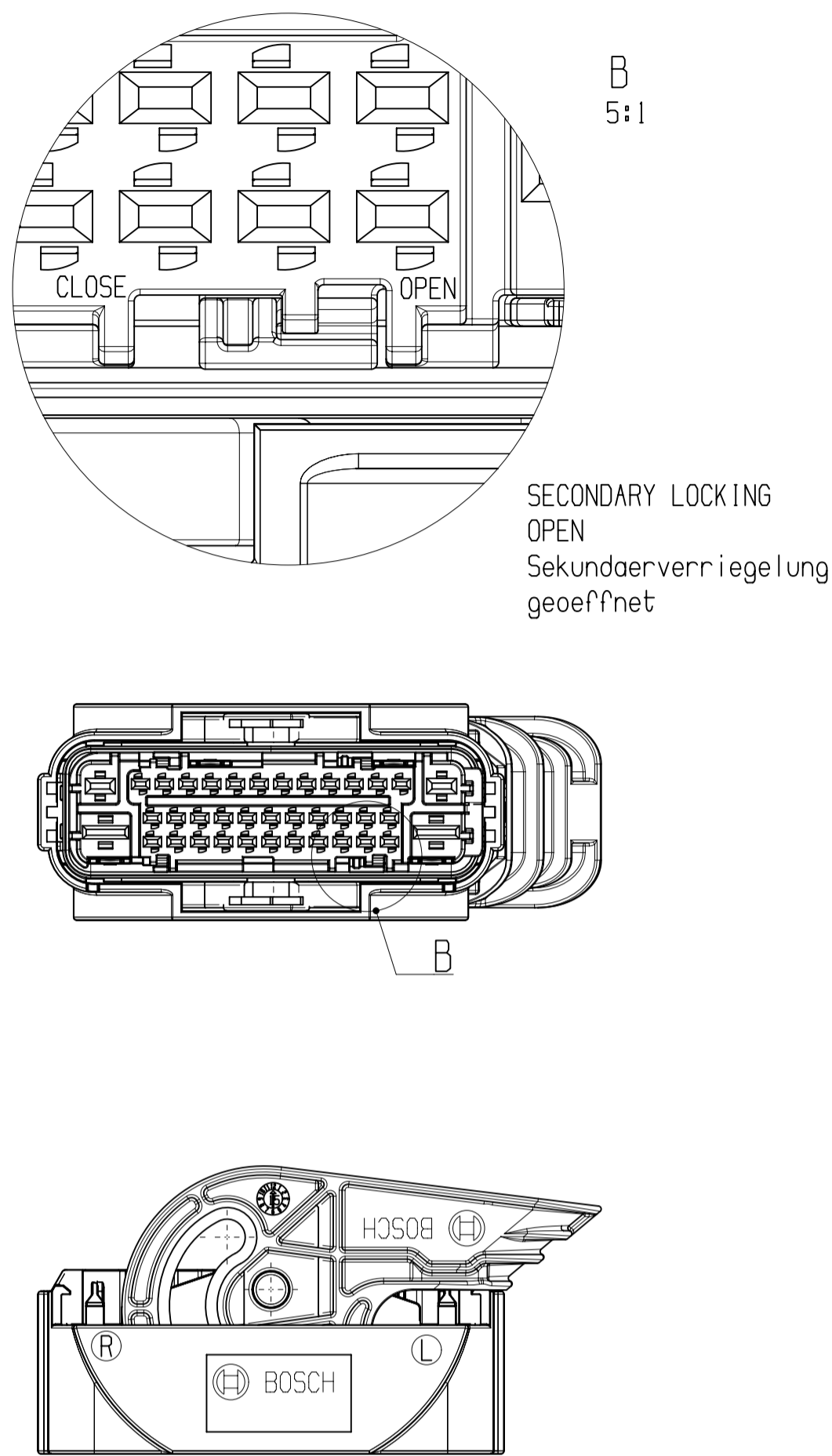
|            |             |              |                                  |               |                    |     |                           |                       |              |
|------------|-------------|--------------|----------------------------------|---------------|--------------------|-----|---------------------------|-----------------------|--------------|
| 131        | 1928406460  | 20201022     | r.jd&kor                         | t.un2hc       | kat1alc            | 209 | PS-CC/EAC                 |                       |              |
| 12         | MODIFIED    | 20081017     | EK                               | Ba            |                    | 209 | PS-AM/ENC                 |                       | NX-MIGRATION |
| 11         | MODIFIED    | 20070507     | Lz                               | Lz            |                    | 209 | G5-AM/ENC                 |                       |              |
| 01         | NEW EDITION | 20051018     | Lz                               | Lz            |                    | 209 | G5-AM/ENC                 |                       |              |
| Ind.       | Change/Mod. | YYYYMMDD     | Drawn/Gez.                       | Checked/Gepr. | Released/Freig.    | BWN | Resp. dept./Verantw. Abt. | Ass. info./Zus. Info. |              |
| Lang./Spr. | Syst.       | Right./Gew.  | CONNECTOR<br>STECKKUPPLUNG       |               | 38-WAY<br>38-polig |     | Sheet/Bl.                 | 1 / 3                 |              |
| ent/de     | UG          | Scale/Mastab | BOSCH                            |               | AGZ                |     | 1 928 A00 289             | DP/ID                 | Ind. Format  |
|            |             | 2:1          | OFFER DRAWING<br>ANGEBOTSZEICHN. |               | Repl. for          |     | 001                       | 13                    | A1           |

©Bosch GmbH. Alle Rechte vorbehalten. Nachtragliche Änderungen sind vorbehalten. Änderungen sind vorbehalten. Änderungen sind vorbehalten.

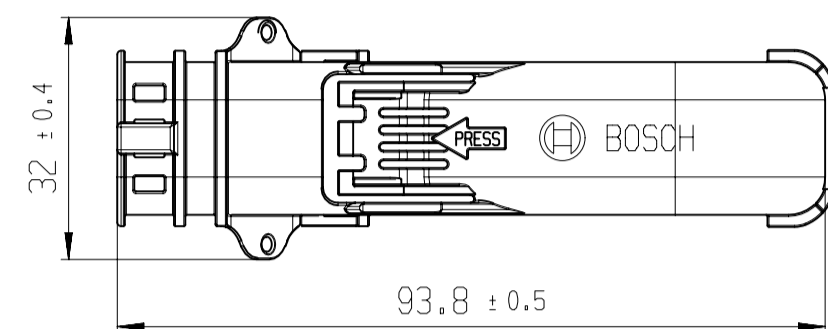
©Bosch GmbH. All rights reserved. Also regarding the drawings. All rights reserved. Also regarding the drawings. All rights reserved. Also regarding the drawings.

CONTACT HOUSING UNIT  
Kontakttraegerereinheit

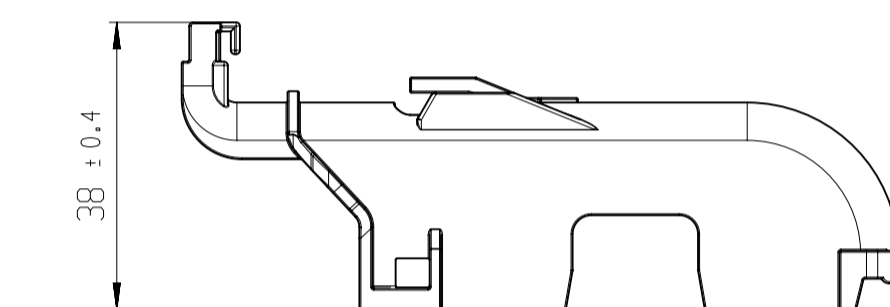
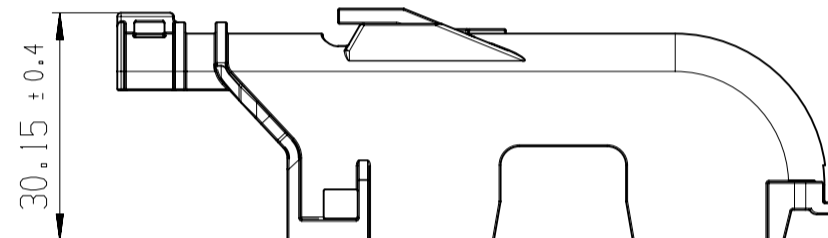
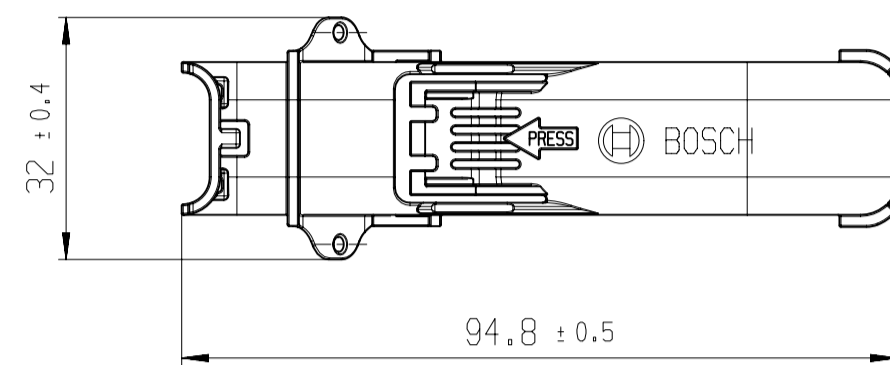
DELIVERY CONDITION: PARTS HAVE TO BE ORDERED SEPARATELY  
Lieferzustand: Teile sind einzeln zu bestellen



COVER WITH EXIT FLAT  
Deckel Abgang gerade



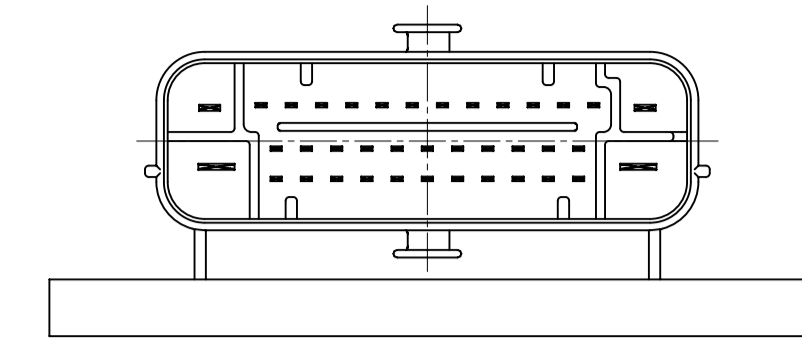
COVER WITH EXIT ABOVE  
Deckel Abgang oben



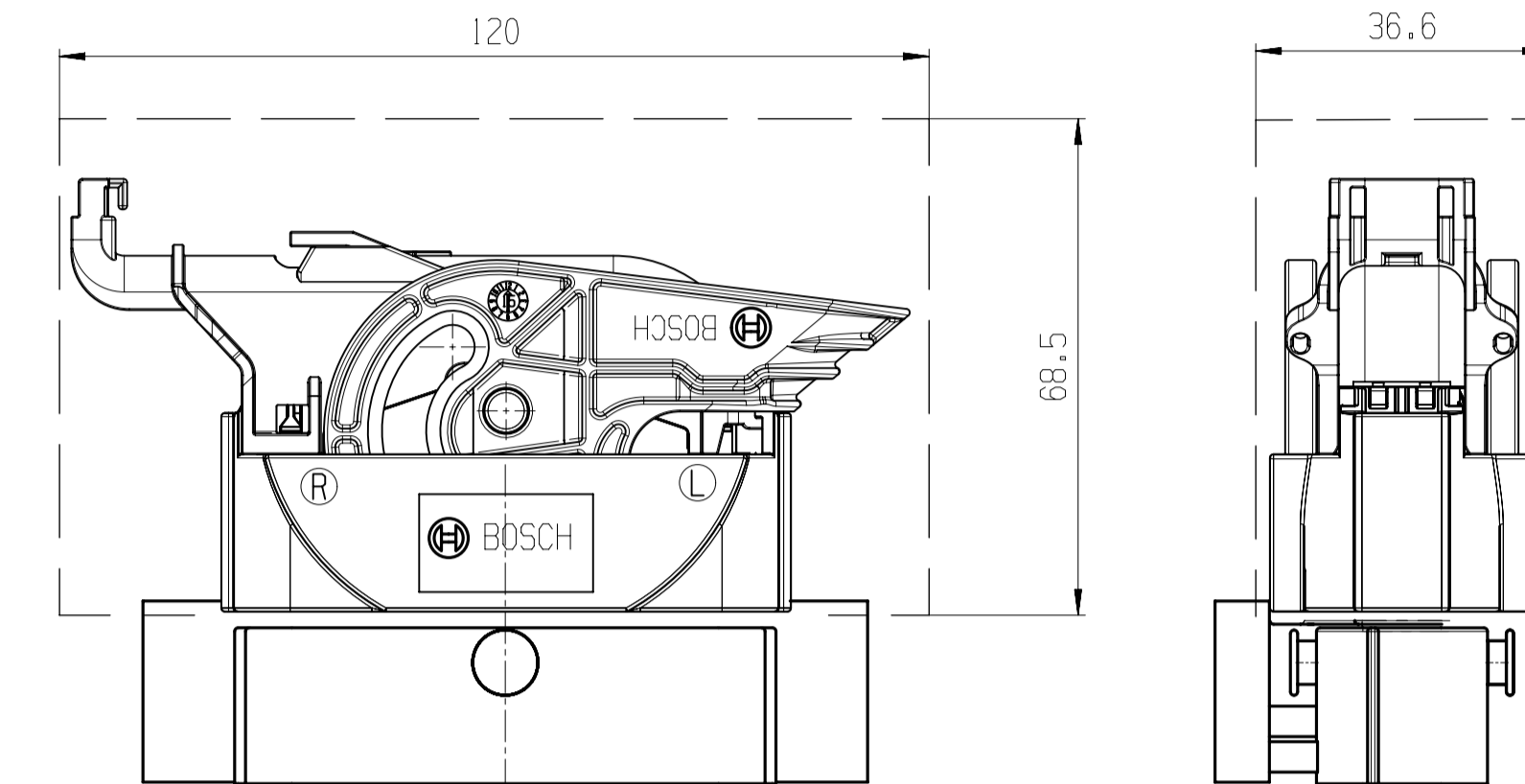
DEFINITION OF CABLE EXIT  
Definition von Kabelabgang

CABLE EXIT  
ON THE LEFT  
Kabelabgang  
links

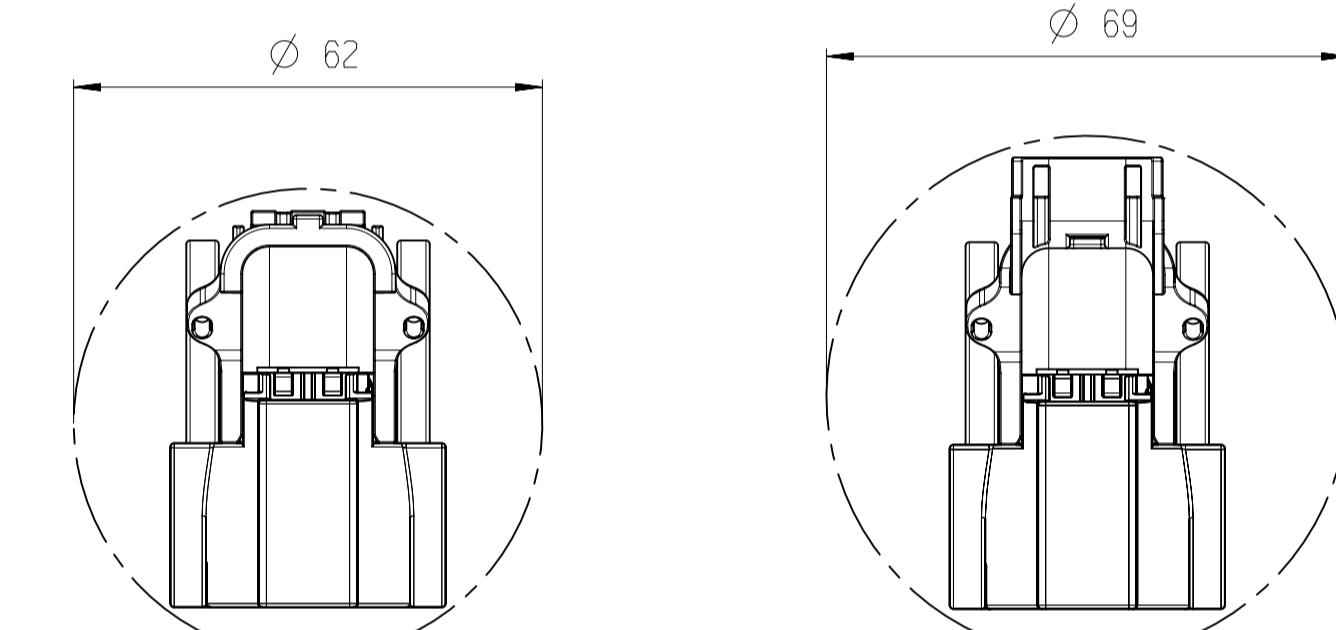
CABLE EXIT  
ON THE RIGHT  
Kabelabgang  
rechts



DEFINITION OF REQUIRED CLEARANCE  
Definition des erforderlichen Freiraums



REQUIRED PASSAGE OPENING  
Erforderliche Durchfuhrungsöffnung



|   |   |               |   |               |   |               |
|---|---|---------------|---|---------------|---|---------------|
| CORRESPONDING DOCUMENTS:<br>Zugehoerige Unterlagen: | TECHNICAL CUSTOMER DOCUMENTATION<br>Technische Kundenunterlagen | 1 928 A00 99T | ASSEMBLY INSTRUCTION<br>Montagevorschrift | 1 928 A00 91M | FINAL CHECK INSTRUCTION<br>Endpruefvorschrift | 1 928 A00 01E |
|---|---|---------------|---|---------------|---|---------------|

|   |   |  |   |  |
|---|---|--|---|--|
| GERMAN TEXT IS BINDING.<br>Verbindlich ist der deutsche Text. | MODIFICATIONS RESERVED DUE TO<br>FURTHER DEVELOPMENT.<br>Aenderungen aufgrund der weiteren<br>Entwicklung vorbehalten | PARTS MAY DIFFER IN NON-FUNCTIONAL DETAILS<br>FROM THE PRESENTATION IN THIS DRAWING.<br>Teile koennen in nicht Funktions-<br>relevanten Details vor der Darstellung<br>in der Zeichnung abweichen. | THIS DRAWING ISN'T QUALIFIED FOR CONSTRUCTION OR<br>TOOL BUILDING.<br>Diese Zeichnung ist nicht fuer die Konstruktion oder<br>Werkzeugerstellung geeignet | INCIDENCE OF '1' mm PER SIDE IS PERMITTED.<br>Einfall von '1' mm je Seite ist erlaubt. |
|---|---|--|---|--|

TERMINALS, SINGLE WIRE SEALS, DUMMY PLUGS, DISASSEMBLY TOOL, CRIMPING TOOLS TO BE USED:  
Zu verwendende Kontakte, Einzeladerdichtungen, Blindstopfen, demontagewerkzeuge, Crimpzangen:

| ⑬                |                            |  |   |                     |                       | SINGLE WIRE SEALS<br>Einzeladerdichtungen |                        |                            | DUMMY PLUGS<br>Blindstopfen |                       |                            | ⑬                          |                            |                       | DISASSEMBLY TOOLS<br>Demontagewerkzeuge |                            |                            | CRIMPING TOOLS<br>Crimpwerkzeuge |                            |                            | CRIMPING PLIERS<br>Crimpzangen |                       |                            | ⑬                          |                            |                       |                            |                            |                            |                       |                            |                            |                            |                       |                            |                            |                            |                       |               |               |               |                       |               |               |               |                       |
|------------------|----------------------------|--|---|---------------------|-----------------------|---|------------------------|----------------------------|-----------------------------|-----------------------|----------------------------|----------------------------|----------------------------|-----------------------|---|----------------------------|----------------------------|----------------------------------|----------------------------|----------------------------|--------------------------------|-----------------------|----------------------------|----------------------------|----------------------------|-----------------------|----------------------------|----------------------------|----------------------------|-----------------------|----------------------------|----------------------------|----------------------------|-----------------------|----------------------------|----------------------------|----------------------------|-----------------------|---------------|---------------|---------------|-----------------------|---------------|---------------|---------------|-----------------------|
| BTL              | 1 928                      | WIRE RANGE (mm²)                           | INSULATION DIAMETER (mm)                            | SURFACE             | SUPPLIER              | ORDER NUMBER                              | COLOR                  | ORDER NUMBER               | COLOR                       | SUPPLIER              | ORDER NUMBER               | COLOR                      | SUPPLIER                   | ORDER NUMBER          | ORDER NUMBER                            | ORDER NUMBER               | SUPPLIER                   | ORDER NUMBER                     | ORDER NUMBER               | ORDER NUMBER               | SUPPLIER                       | ORDER NUMBER          | ORDER NUMBER               | ORDER NUMBER               | SUPPLIER                   | ORDER NUMBER          | ORDER NUMBER               | ORDER NUMBER               |                            |                       |                            |                            |                            |                       |                            |                            |                            |                       |               |               |               |                       |               |               |               |                       |
| BTL 1.5          | 1 928 498 690              | 0,35 - 0,5                                 | 1,2 - 1,6 (IFLR)                                    | Sn                  | BOSCH CONNECTOR SALES | 1 928 301 118                             | RED Rot                | 1 928 301 087              | WHITE Weiss                 | BOSCH CONNECTOR SALES | 1 928 498 714              | 1 928 498 706              | 1 928 498 710              | BOSCH CONNECTOR SALES | 1 928 498 714                           | 1 928 498 707              | 1 928 498 711              | BOSCH CONNECTOR SALES            | 1 928 498 714              | 1 928 498 707              | 1 928 498 711                  | BOSCH CONNECTOR SALES | 1 928 498 714              | 1 928 498 708              | 1 928 498 712              | BOSCH CONNECTOR SALES | 1 928 498 715              | 1 928 498 708              | 1 928 498 712              | BOSCH CONNECTOR SALES | 1 928 498 715              | 1 928 498 708              | 1 928 498 712              | BOSCH CONNECTOR SALES | 1 928 498 715              | 1 928 498 708              | 1 928 498 712              | BOSCH CONNECTOR SALES | 1 928 498 716 | 1 928 498 709 | 1 928 498 713 | BOSCH CONNECTOR SALES | 1 928 498 716 | 1 928 498 709 | 1 928 498 713 | BOSCH CONNECTOR SALES |
| BTL 1.5          | 1 928 498 650              | > 0,5 - 0,75                               | 1,4 - 1,9 (IFLR)                                    | Sn                  | BOSCH CONNECTOR SALES | 1 928 301 083                             | GREY Grau              | 1 928 301 087              | WHITE Weiss                 | BOSCH CONNECTOR SALES | 1 928 498 714              | 1 928 498 707              | 1 928 498 711              | BOSCH CONNECTOR SALES | 1 928 498 714                           | 1 928 498 707              | 1 928 498 711              | BOSCH CONNECTOR SALES            | 1 928 498 714              | 1 928 498 707              | 1 928 498 711                  | BOSCH CONNECTOR SALES | 1 928 498 714              | 1 928 498 707              | 1 928 498 711              | BOSCH CONNECTOR SALES | 1 928 498 715              | 1 928 498 708              | 1 928 498 712              | BOSCH CONNECTOR SALES | 1 928 498 715              | 1 928 498 708              | 1 928 498 712              | BOSCH CONNECTOR SALES | 1 928 498 715              | 1 928 498 708              | 1 928 498 712              | BOSCH CONNECTOR SALES | 1 928 498 716 | 1 928 498 709 | 1 928 498 713 | BOSCH CONNECTOR SALES |               |               |               |                       |
| BTL 1.5          | 1 928 498 650              | 1,0  | 1,9 - 2,1 (IFLR)                                    | Sn                  | BOSCH CONNECTOR SALES | 1 928 301 084                             | YELLOW Gelb            | 1 928 301 087              | WHITE Weiss                 | BOSCH CONNECTOR SALES | 1 928 498 714              | 1 928 498 707              | 1 928 498 711              | BOSCH CONNECTOR SALES | 1 928 498 714                           | 1 928 498 707              | 1 928 498 711              | BOSCH CONNECTOR SALES            | 1 928 498 714              | 1 928 498 707              | 1 928 498 711                  | BOSCH CONNECTOR SALES | 1 928 498 714              | 1 928 498 707              | 1 928 498 711              | BOSCH CONNECTOR SALES | 1 928 498 715              | 1 928 498 708              | 1 928 498 712              | BOSCH CONNECTOR SALES | 1 928 498 715              | 1 928 498 708              | 1 928 498 712              | BOSCH CONNECTOR SALES | 1 928 498 715              | 1 928 498 708              | 1 928 498 712              | BOSCH CONNECTOR SALES |               |               |               |                       |               |               |               |                       |
| BTL 2.8          | 1 928 498 651              | 1,5  | 2,0 - 2,7 (IFLR)                                    | Sn                  | BOSCH CONNECTOR SALES | 1 928 301 206                             | REDDISH BROWN Rotbraun | -                          | -                           | BOSCH CONNECTOR SALES | 1 928 498 715              | 1 928 498 708              | 1 928 498 712              | BOSCH CONNECTOR SALES | 1 928 498 715                           | 1 928 498 708              | 1 928 498 712              | BOSCH CONNECTOR SALES            | 1 928 498 715              | 1 928 498 708              | 1 928 498 712                  | BOSCH CONNECTOR SALES | 1 928 498 715              | 1 928 498 708              | 1 928 498 712              | BOSCH CONNECTOR SALES | 1 928 498 715              | 1 928 498 708              | 1 928 498 712              | BOSCH CONNECTOR SALES | 1 928 498 715              | 1 928 498 708              | 1 928 498 712              | BOSCH CONNECTOR SALES | 1 928 498 715              | 1 928 498 708              | 1 928 498 712              | BOSCH CONNECTOR SALES |               |               |               |                       |               |               |               |                       |
| BTL 2.8          | 1 928 498 651              | 2,5  | 2,7 - 3,0 (IFLR)                                    | Sn                  | BOSCH CONNECTOR SALES | 1 928 301 085                             | ORANGE Orange          | -                          | -                           | BOSCH CONNECTOR SALES | 1 928 498 715              | 1 928 498 708              | 1 928 498 712              | BOSCH CONNECTOR SALES | 1 928 498 715                           | 1 928 498 708              | 1 928 498 712              | BOSCH CONNECTOR SALES            | 1 928 498 715              | 1 928 498 708              | 1 928 498 712                  | BOSCH CONNECTOR SALES | 1 928 498 715              | 1 928 498 708              | 1 928 498 712              | BOSCH CONNECTOR SALES | 1 928 498 715              | 1 928 498 708              | 1 928 498 712              | BOSCH CONNECTOR SALES | 1 928 498 715              | 1 928 498 708              | 1 928 498 712              | BOSCH CONNECTOR SALES | 1 928 498 715              | 1 928 498 708              | 1 928 498 712              | BOSCH CONNECTOR SALES |               |               |               |                       |               |               |               |                       |
| BTL 4.8          | 1 928 498 652              | > 2,5 - 4,0                                | 3,4 - 3,7 (IFLR)                                    | Sn                  | BOSCH CONNECTOR SALES | 1 928 301 086                             | BLUE Blau              | -                          | -                           | BOSCH CONNECTOR SALES | 1 928 498 716              | 1 928 498 709              | 1 928 498 713              | BOSCH CONNECTOR SALES | 1 928 498 716                           | 1 928 498 709              | 1 928 498 713              | BOSCH CONNECTOR SALES            | 1 928 498 716              | 1 928 498 709              | 1 928 498 713                  | BOSCH CONNECTOR SALES | 1 928 498 716              | 1 928 498 709              | 1 928 498 713              | BOSCH CONNECTOR SALES | 1 928 498 716              | 1 928 498 709              | 1 928 498 713              | BOSCH CONNECTOR SALES | 1 928 498 716              | 1 928 498 709              | 1 928 498 713              | BOSCH CONNECTOR SALES | 1 928 498 716              | 1 928 498 709              | 1 928 498 713              | BOSCH CONNECTOR SALES |               |               |               |                       |               |               |               |                       |
| TERMINAL Kontakt | ORDER NUMBER Bestellnummer | WIRE RANGE (mm²) Leitungsquerschnitt (mm²) | INSULATION DIAMETER (mm) Isolationsdurchmesser (mm) | SURFACE Oberflaeche | SUPPLIER Lieferant    | ORDER NUMBER Bestellnummer                | COLOR Farbe            | ORDER NUMBER Bestellnummer | COLOR Farbe                 | SUPPLIER Lieferant    | ORDER NUMBER Bestellnummer | ORDER NUMBER Bestellnummer | ORDER NUMBER Bestellnummer | SUPPLIER Lieferant    | ORDER NUMBER Bestellnummer              | ORDER NUMBER Bestellnummer | ORDER NUMBER Bestellnummer | SUPPLIER Lieferant               | ORDER NUMBER Bestellnummer | ORDER NUMBER Bestellnummer | ORDER NUMBER Bestellnummer     | SUPPLIER Lieferant    | ORDER NUMBER Bestellnummer | ORDER NUMBER Bestellnummer | ORDER NUMBER Bestellnummer | SUPPLIER Lieferant    | ORDER NUMBER Bestellnummer | ORDER NUMBER Bestellnummer | ORDER NUMBER Bestellnummer | SUPPLIER Lieferant    | ORDER NUMBER Bestellnummer | ORDER NUMBER Bestellnummer | ORDER NUMBER Bestellnummer | SUPPLIER Lieferant    | ORDER NUMBER Bestellnummer | ORDER NUMBER Bestellnummer | ORDER NUMBER Bestellnummer | SUPPLIER Lieferant    |               |               |               |                       |               |               |               |                       |

TERMINALS AND PIN TERMINALS OF CONNECTOR AND PIN HOUSING MUST HAVE THE SAME SURFACE  
Kontakte und Kontaktstifte von Stecker und Stiftleiste muessen gleiche Oberflaechen aufweisen

PROCESSING SPECIFICATION / Verarbeitungsvorschrift

BTL 1.5: 1 928 A00 00V BTL 2.8: 1 928 A00 01V BTL 4.8: 1 928 A00 02V

|   |              |         |     |
|---|--------------|---------|-----|
| general tolerances for Allgemeintoleranzen fuer<br>lin. dim./L. maesse radii/Radien angles/Winkel | ±0.1 mm      | ±0.1 mm | ±2° |
| linear size acc. to / Grossmaesse nach<br>ISO 14405-1:2010-12                                     | Ⓢ            |         |     |
| drawing standard /<br>Zeichnungsstandard  | ISO Standard |         |     |

|                  |          |             |                                  |                 |                    |                           |                       |              |
|------------------|----------|-------------|----------------------------------|-----------------|--------------------|---------------------------|-----------------------|--------------|
| 1311928406460    | 20201022 | r.jd&kor    | t.un2hc                          | kat1alc         | 209                | PS-CC/EAC                 |                       |              |
| 12 MODIFIED      | 20081017 | EK          | Ba                               |                 | 209                | PS-AM/ENC                 |                       | NX-MIGRATION |
| 11 MODIFIED      | 20070507 | Lz          | Lz                               |                 | 209                | G5-AM/ENC                 |                       |              |
| 01 NEW EDITION   | 20051018 | Lz          | Lz                               |                 | 209                | G5-AM/ENC                 |                       |              |
| Ind. Change/Änd. | YYYYMMDD | Draw/Gez.   | Checked/Gepr.                    | Released/Freig. | BWN                | Resp. dept./Verantw. Abt. | Add. info./Zus. Info. |              |
| Lang./Spr.       | Syst.    | Night./Gew. | CONNECTOR<br>STECKKUPPLUNG       |                 | 38-WAY<br>38-polig | Sheet/Bl.<br>2 / 3        |                       |              |
| ent/de           | UG       | Scale/Abst. | BOSCH                            |                 | Doc. type<br>AGZ   | 1 928 A00 289             |                       |              |
| MNR              |          | 2:1         | OFFER DRAWING<br>ANGEBOTSZEICHN. |                 | Repl. for          | DP/ID                     | Ind. Form             |              |
|                  |          |             |                                  |                 | Repl. by           | 001                       | 13                    | A1           |

© Bosch Power Tools. All rights reserved. Also regarding the use of the trademarks of other companies, as well as in the event of applications for industrial property rights.

