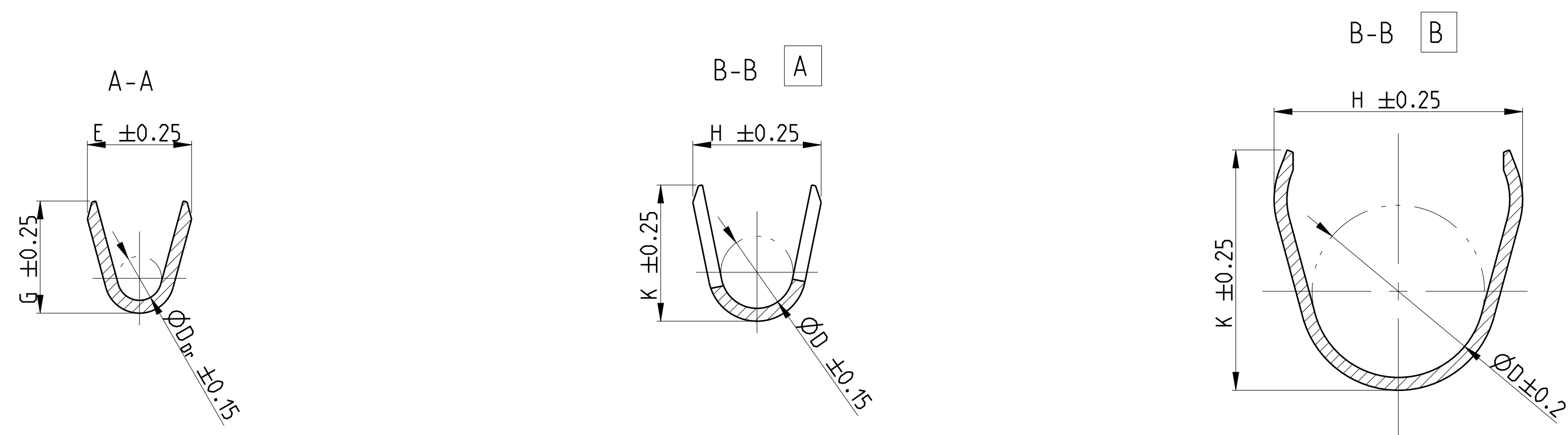


### STRIP FORM Bandware

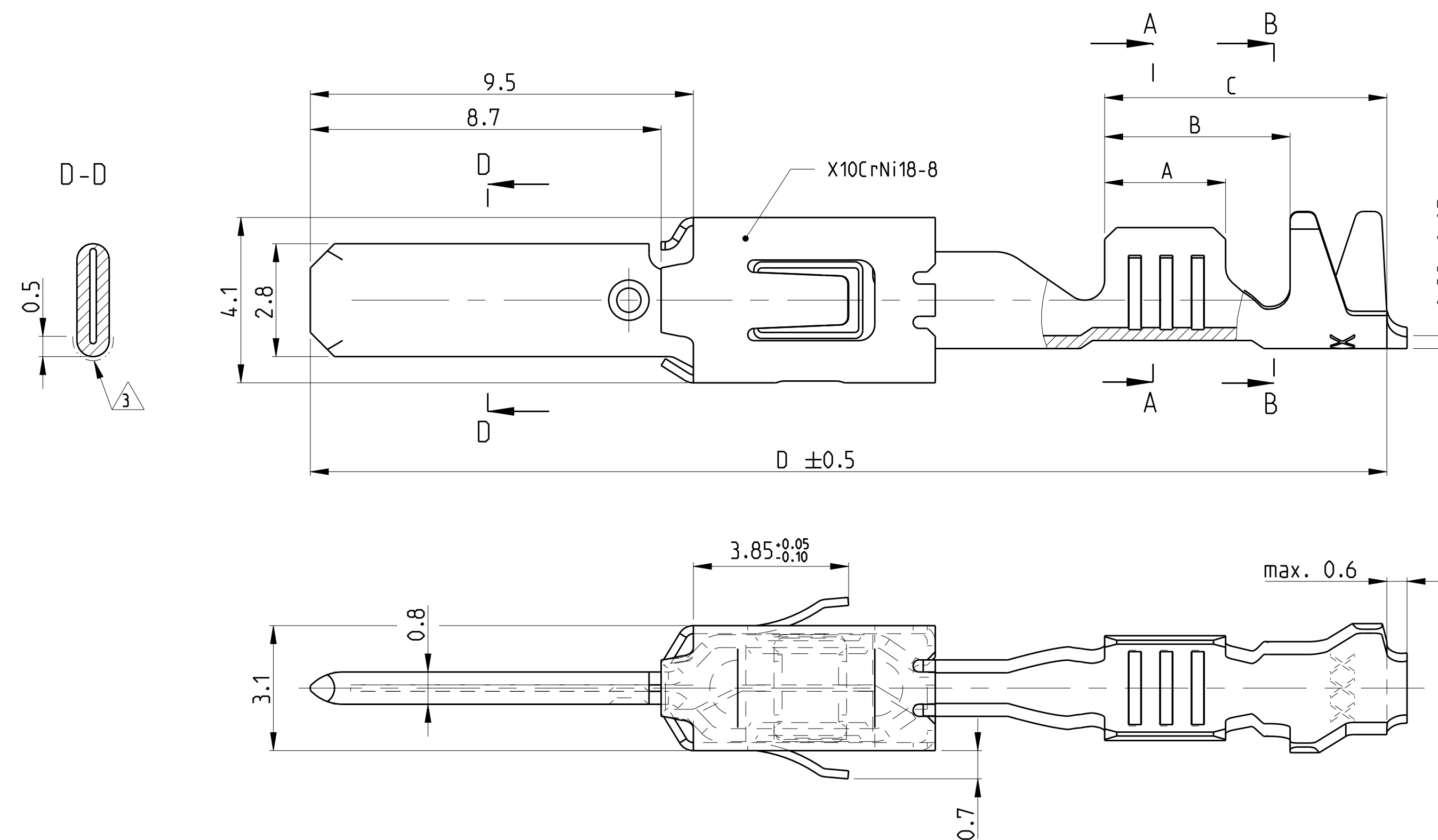


- 1 CONTACT AREA PRE SILVER MIN. 3µm  
CANTILEVER SPRING PLAIN  
Kontaktzone vorversilbert min. 3µm  
Ueberfederer blank
- 2 CONTACT BODY NI-PLATING MIN. 0.5µm; CONTACT AREA PRE-GOLD MIN. 0.6µm  
OVER NICKEL; CRIMP AREA PRE-TIN  
CANTILEVER SPRING PLAIN  
Kontaktkoerper vernickelt min. 0.5µm; Kontaktzone vorvergoldet min. 0.6µm ueber Nickel  
Crimpzone vorverzinkt; Ueberfederer blank
- 3 IN THIS AREA CRACK SHAPING AT THE SURFACE PERMISSIBLE  
In diesem Bereich Rissbildung in der Oberflaeche zulassig
- 4 PRE-TIN MIN. 1µm; CANTILEVER SPRING PLAIN  
vorverzinkt min. 1µm; Ueberfederer blank

- 5 AWG 12 TXL 828905-1 OR / oder 282536-1  
AWG 12 GXL 638865-1
- 6 ATTENTION! CONSTRUCTION OF THE CONTACT CAVITY IN THE AREA OF THE SINGLE WIRE SEAL IS Ø6.4<sup>+0.1</sup><sub>-0.05</sub>  
Achtung! Die Kammer ist im Bereich der Einzeldichtung auf Ø6.4<sup>+0.1</sup><sub>-0.05</sub> auszuliegen
- 7 PUNCHED WITH VOLATILIZING STAMPING-OIL  
Gestanz mit verfluechtigendem Stanzoel

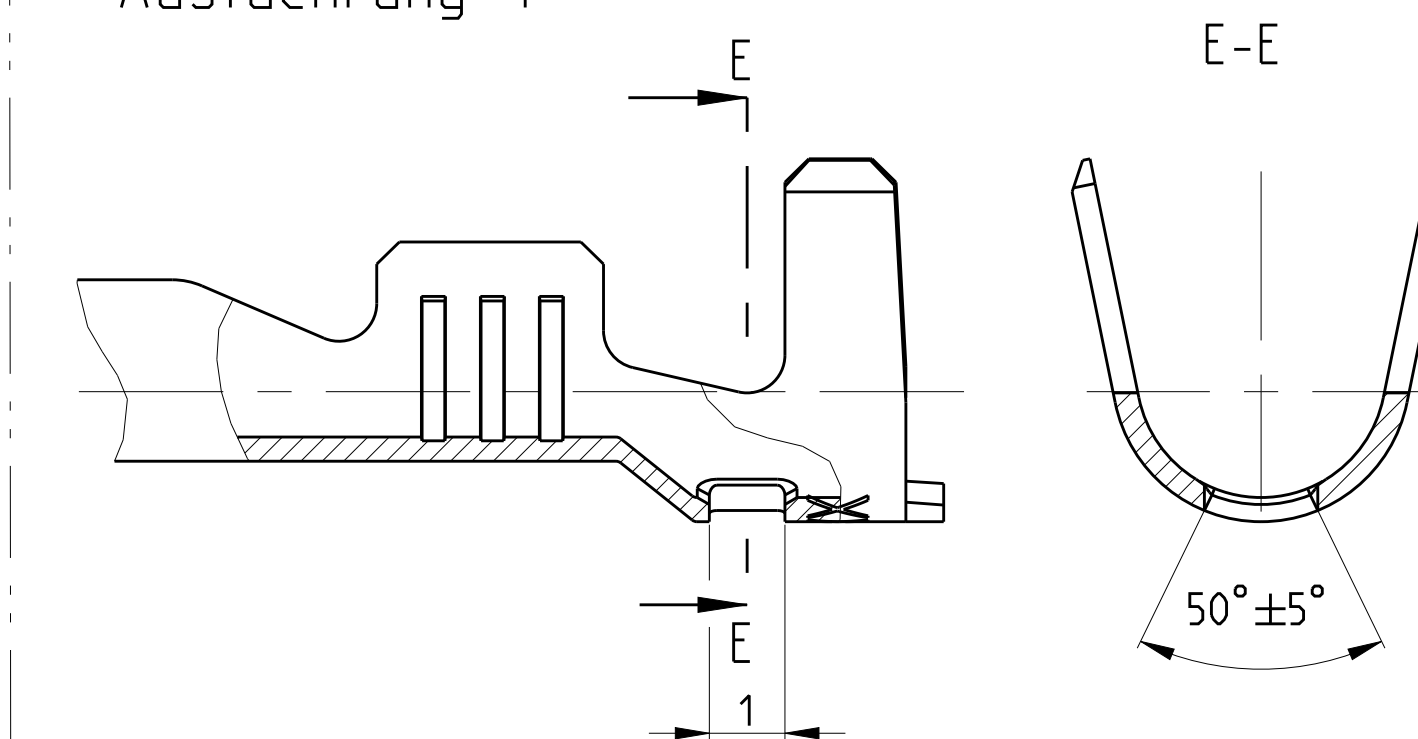
### FLR-/FLK-WIRE FLR-/FLK-Leitung

#### DESIGN 1 Ausfuehrung 1

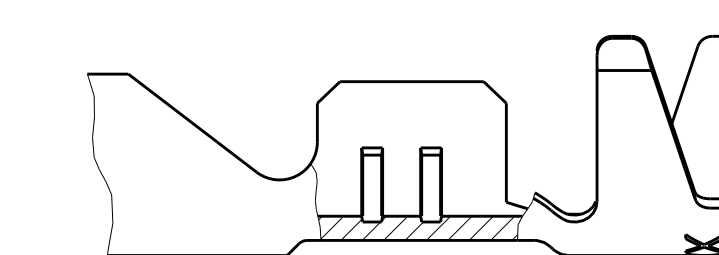


### SINGLE WIRE SEAL Einzeldichtungssystem

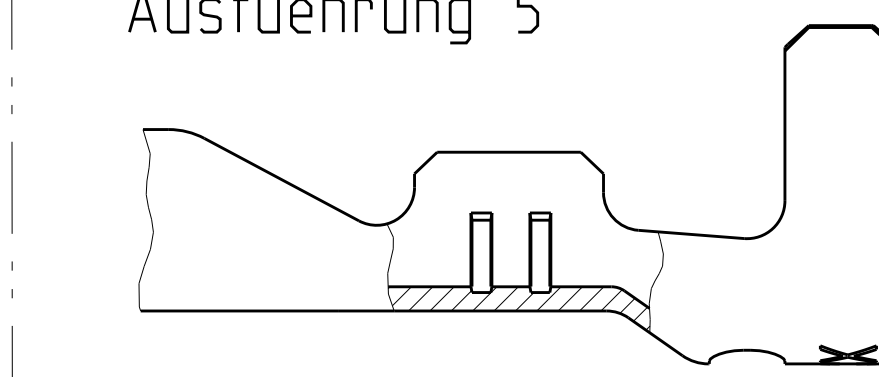
#### DESIGN 4 Ausfuehrung 4



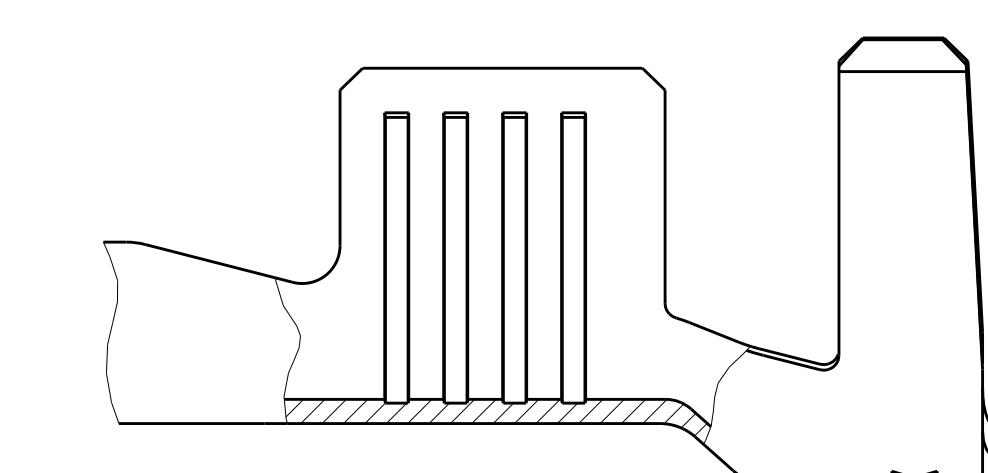
#### DESIGN 2 Ausfuehrung 2



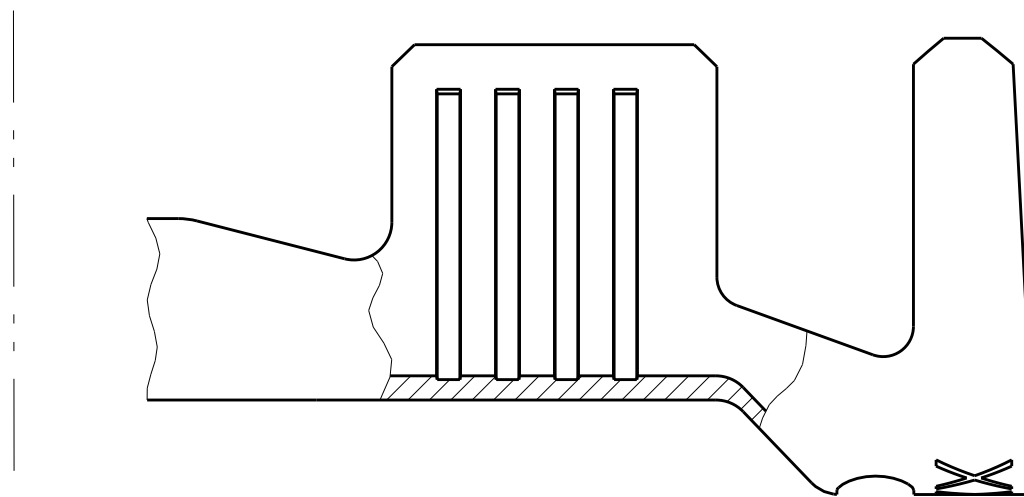
#### DESIGN 5 Ausfuehrung 5



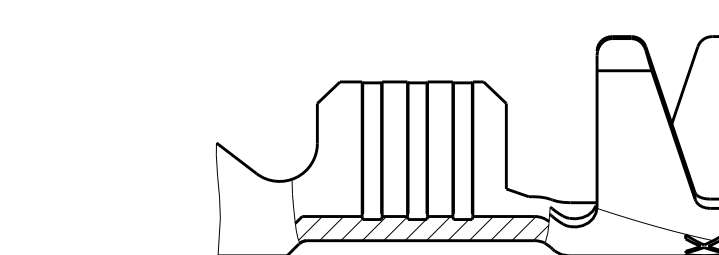
#### DESIGN 3 Ausfuehrung 3



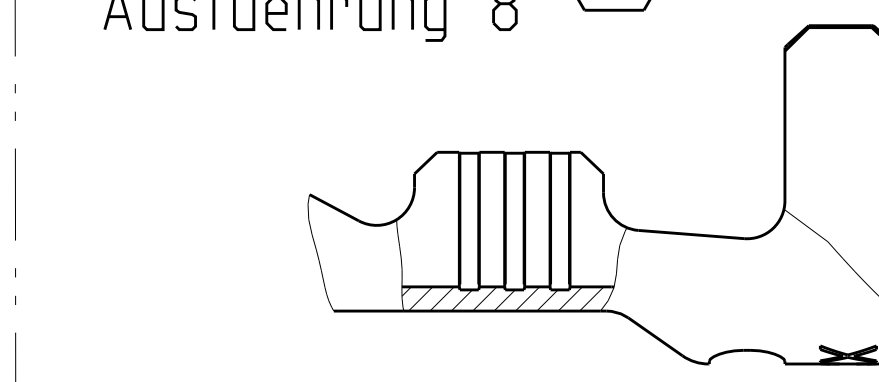
#### DESIGN 6 Ausfuehrung 6



#### DESIGN 7 Ausfuehrung 7



#### DESIGN 8 Ausfuehrung 8



| TE ORDER-NO. | DESIGN REV | MATERIAL | SURFACE  | DGB | INSULATION | STRIP FORM |                                             | APPLICATION TOOL                | HAND TOOL      | TE ORDER-NO. | TE ORDER-NO. | A   | B   | C    | D      |            |
|--------------|------------|----------|----------|-----|------------|------------|---------------------------------------------|---------------------------------|----------------|--------------|--------------|-----|-----|------|--------|------------|
|              |            |          |          |     |            | WIRE CRIMP | INSUL. CRIMP                                |                                 |                |              |              |     |     |      |        | DRAG CRIMP |
| 1-1719504-2  | A          | 4        | CuSn4    | △   | 12 AWG     | max. 3.0   | E = 4.0<br>G = 4.2<br>D <sub>Dr</sub> = 2.0 | A H = 5.3<br>K = 5.0<br>D = 3.6 | 1852291-3      | -            | 3.5          | 6.0 | 7.6 | 26.8 | △      | 828922-1   |
| 1-1719504-1  | A          | 4        | CuSn0.20 | △   | FLR        | max. 3.7   | E = 4.5<br>G = 4.7<br>D <sub>Dr</sub> = 2.3 | B H = 6.2<br>K = 6.0<br>D = 4.3 | MQC APPLICATOR | 539635-1     | 4.3          | 6.9 | 8.5 | 28.5 | 828985 | 828986-1   |
| 3-968947-1   | A          | 6        | CuFe     | △   |            |            |                                             |                                 | 2-541537-2     | MATRIZE :    |              |     |     |      |        | 539727-2   |
| 2-968947-2   | A          | 6        | CuFe     | △   | FLR        | max. 3.0   | E = 3.6<br>G = 3.8<br>D <sub>Dr</sub> = 1.7 | A H = 5.3<br>K = 5.0<br>D = 3.6 | MQC APPLICATOR | 734440-1     | 3.5          | 6.0 | 7.6 | 26.8 | 828905 | (Ø5.0)     |
| 1-968947-2   | A          | 6        | CuSn4    | △   |            |            |                                             |                                 | 2-878560-2     | MATRIZE :    |              |     |     |      |        | 734440-1   |
| 1-968947-1   | A          | 6        | CuSn4    | △   | FLR        | max. 2.1   | E = 2.6<br>G = 2.9<br>D <sub>Dr</sub> = 1.2 | A H = 5.0<br>K = 4.8<br>D = 3.3 | MQC APPLICATOR | 734438-1     | 3.0          | 5.4 | 7.0 | 26.8 | 828904 | (Ø5.0)     |
| 2-962916-3   | E          | 4        | CuFe     | △   |            |            |                                             |                                 | 2-878559-2     | MATRIZE :    |              |     |     |      |        | 734438-1   |
| 2-962916-2   | E          | 4        | CuFe     | △   | FLR        | max. 2.1   | E = 2.1<br>G = 2.1<br>D <sub>Dr</sub> = 0.8 | A H = 4.7<br>K = 4.5<br>D = 3.2 | MQC APPLICATOR | 539635-1     | 2.5          | 4.9 | 6.5 | 26.8 | 828904 | (Ø5.0)     |
| 1-962916-3   | E          | 4        | CuSn4    | △   |            |            |                                             |                                 | 2-878558-2     | MATRIZE :    |              |     |     |      |        | 539737-2   |
| 1-962916-2   | E          | 4        | CuSn4    | △   | FLR        | max. 2.1   | E = 4.5<br>G = 4.7<br>D <sub>Dr</sub> = 2.3 | A H = 5.7<br>K = 5.9<br>D = 3.3 | MQC APPLICATOR | 539635-1     | 4.3          | 6.6 | 8.5 | 28.5 | 828985 | 828986-1   |
| 1-962916-1   | E          | 4        | CuFe     | △   |            |            |                                             |                                 | 2-541534-2     | MATRIZE :    |              |     |     |      |        | 539723-2   |
| 2-962843-3   | C          | 1        | CuFe     | △   | FLK        | 2.4 - 3.7  | E = 3.6<br>G = 3.8<br>D <sub>Dr</sub> = 1.7 | A H = 5.5<br>K = 5.7<br>D = 3.2 | MQC APPLICATOR | 734417-3     | 3.6          | 5.2 | 8.9 | 28.6 | 828905 | (Ø5.0)     |
| 2-962843-2   | C          | 1        | CuFe     | △   |            |            |                                             |                                 | 2-878552-2     | MATRIZE :    |              |     |     |      |        | 734417-3   |
| 2-962843-1   | C          | 1        | CuFe     | △   | FLR        | 2.1 - 2.9  | E = 3.6<br>G = 3.8<br>D <sub>Dr</sub> = 1.7 | A H = 4.3<br>K = 4.5<br>D = 2.6 | MQC APPLICATOR | 734417-2     | 3.6          | 5.2 | 8.2 | 27.9 | 828905 | (Ø5.0)     |
| 1-962843-3   | C          | 1        | CuSn4    | △   |            |            |                                             |                                 | 2-878551-2     | MATRIZE :    |              |     |     |      |        | 734417-2   |
| 1-962843-2   | C          | 1        | CuSn4    | △   | FLR        | 1.4 - 2.1  | E = 2.6<br>G = 2.8<br>D <sub>Dr</sub> = 1.1 | A H = 3.2<br>K = 3.4<br>D = 1.8 | MQC APPLICATOR | 734417-1     | 3.0          | 4.6 | 7.0 | 26.7 | 828904 | (Ø5.0)     |
| 1-962843-1   | C          | 1        | CuFe     | △   |            |            |                                             |                                 | 2-878550-2     | MATRIZE :    |              |     |     |      |        | 734417-1   |
| 2-963860-3   | B          | 2        | CuFe     | △   | FLR        | 1.3 - 1.6  | E = 2.1<br>G = 2.1<br>D <sub>Dr</sub> = 0.8 | A H = 2.9<br>K = 2.9<br>D = 1.4 | MQC APPLICATOR | 734538-1     | 2.5          | 3.7 | 5.8 | 25.5 | 828904 | (Ø5.0)     |
| 2-963860-2   | B          | 2        | CuFe     | △   |            |            |                                             |                                 | 2-878549-2     | MATRIZE :    |              |     |     |      |        | 734538-1   |
| 2-963860-1   | B          | 2        | CuSn4    | △   | FLR        | 1.3 - 1.6  | E = 2.1<br>G = 2.1<br>D <sub>Dr</sub> = 0.8 | A H = 2.9<br>K = 2.9<br>D = 1.4 | MQC APPLICATOR | 734538-1     | 2.5          | 3.7 | 5.8 | 25.5 | 828904 | (Ø5.0)     |
| 5-963860-2   | A          | 7        | CuSn4    | △   |            |            |                                             |                                 | 2-878549-2     | MATRIZE :    |              |     |     |      |        | 734538-1   |
| 5-963860-1   | A          | 7        | CuSn4    | △   | FLR        | 1.3 - 1.6  | E = 2.1<br>G = 2.1<br>D <sub>Dr</sub> = 0.8 | A H = 2.9<br>K = 2.9<br>D = 1.4 | MQC APPLICATOR | 734538-1     | 2.5          | 3.7 | 5.8 | 25.5 | 828904 | (Ø5.0)     |
| 1-963860-3   | B          | 2        | CuSn4    | △   |            |            |                                             |                                 | 2-878549-2     | MATRIZE :    |              |     |     |      |        | 734538-1   |
| 1-963860-2   | B          | 2        | CuSn4    | △   | FLR        | 1.3 - 1.6  | E = 2.1<br>G = 2.1<br>D <sub>Dr</sub> = 0.8 | A H = 2.9<br>K = 2.9<br>D = 1.4 | MQC APPLICATOR | 734538-1     | 2.5          | 3.7 | 5.8 | 25.5 | 828904 | (Ø5.0)     |
| 1-963860-1   | B          | 2        | CuSn4    | △   |            |            |                                             |                                 | 2-878549-2     | MATRIZE :    |              |     |     |      |        | 734538-1   |

THIS DRAWING IS A CONTROLLED DOCUMENT. DATE: 14 JUN 1999. DRAWN BY: K. Gerlach. CHECKED BY: M. Bleicher. APPROVED BY: [Signature].

PRODUCT GROUP DRAWING FOR TAB 2.8x0.8. PRODUCT SPEC: 108-18063. APPLICATION SPEC: 114-18051. WEIGHT: [Value].

Customer Drawing. SCALE: 10:1. SHEET: 1 of 1. REVISIONS: [Table with columns for revision number, description, date, and author].