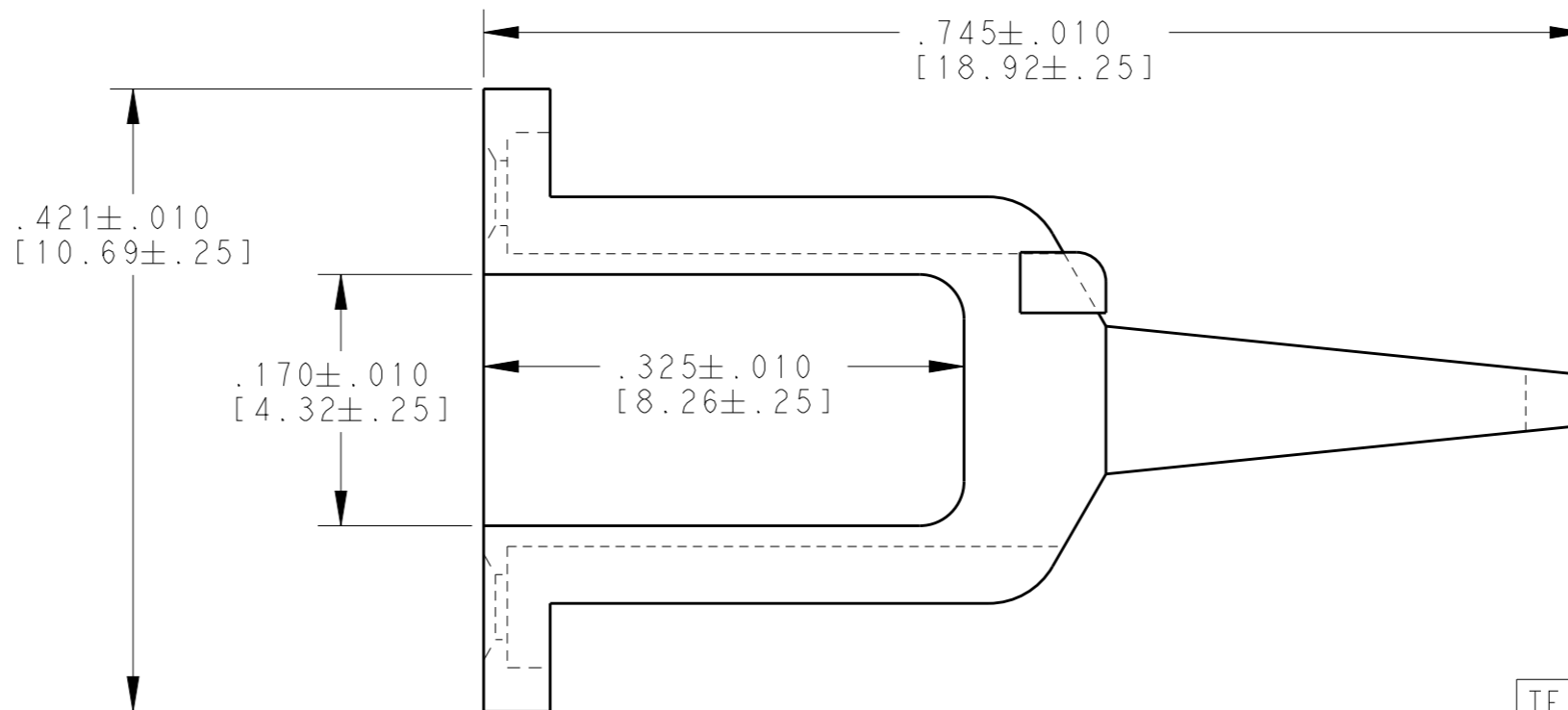
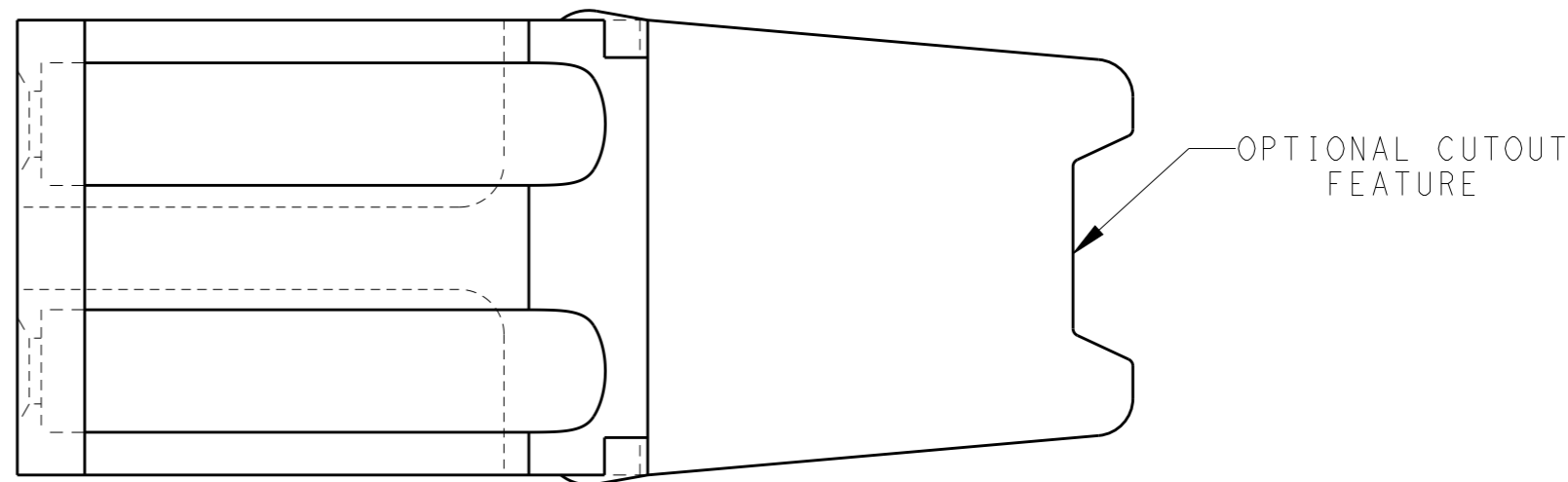
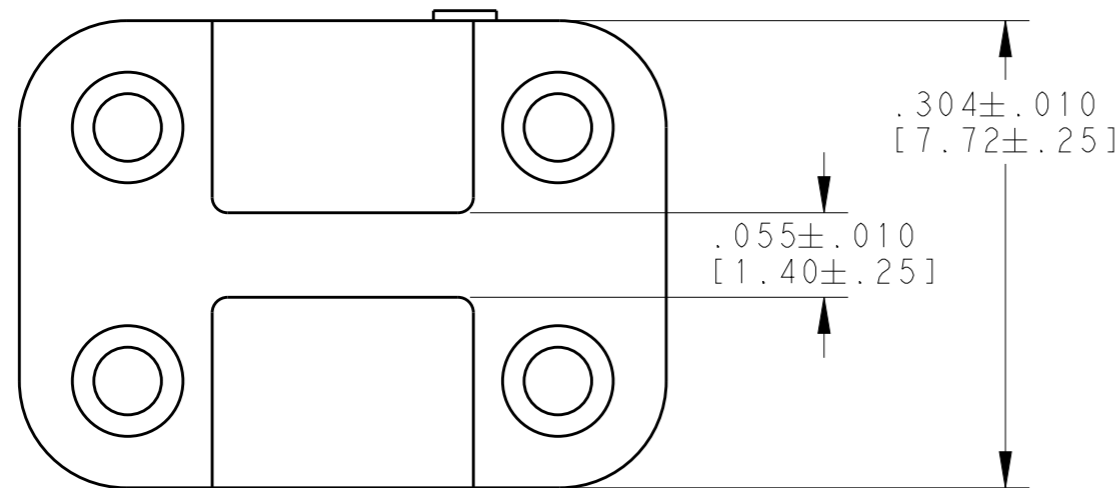


THIS DRAWING IS UNPUBLISHED
RELEASED FOR PUBLICATION 2017
© COPYRIGHT 2017 BY -TE CONNECTIVITY ALL RIGHTS RESERVED.

REVISIONS

P	LTR	DESCRIPTION	DATE	DWN	APVD
	A	REVISED PER PCN E-17-016543	26OCT2017	SS	DM



TE INTERNAL PN	DEUTSCH PN
WM-4S	WM-4S

1. THIS WEDGE LOCK MATES WITH DTM06-4S-XXXX PLUG.
(XXXX = ALL MODIFICATIONS).
CONSULT FACTORY FOR MODS.

NOTES:

THIS DRAWING IS A CONTROLLED DOCUMENT.		DWN	V. TOMSA	23OCT1995	TE TE Connectivity													
DIMENSIONS: INCHES [mm]		CHK	D. MEYER	27OCT1995														
TOLERANCES UNLESS OTHERWISE SPECIFIED:		APVD	R. REED	27OCT1995														
<table border="0"> <tr><td>0 PLC</td><td>±-</td></tr> <tr><td>1 PLC</td><td>±-</td></tr> <tr><td>2 PLC</td><td>±-</td></tr> <tr><td>3 PLC</td><td>±.025 [0.63]</td></tr> <tr><td>4 PLC</td><td>±-</td></tr> <tr><td>ANGLES</td><td>±0°30'0"</td></tr> </table>		0 PLC	±-	1 PLC	±-	2 PLC	±-	3 PLC	±.025 [0.63]	4 PLC	±-	ANGLES	±0°30'0"	PRODUCT SPEC	108-151010		NAME	WEDGE LOCK FOR 4 CONT. PLUG HOUSING DTM SERIES
0 PLC	±-																	
1 PLC	±-																	
2 PLC	±-																	
3 PLC	±.025 [0.63]																	
4 PLC	±-																	
ANGLES	±0°30'0"																	
MATERIAL PBT GF ORANGE		FINISH	-		APPLICATION SPEC	-												
		WEIGHT	0.55 GR		SIZE	A3												
		CUSTOMER DRAWING			CAGE CODE	4AFU8												
					DRAWING NO	WM-4S												
					RESTRICTED TO	-												
					SCALE	8:1												
					SHEET	1 OF 1												
					REV	A												