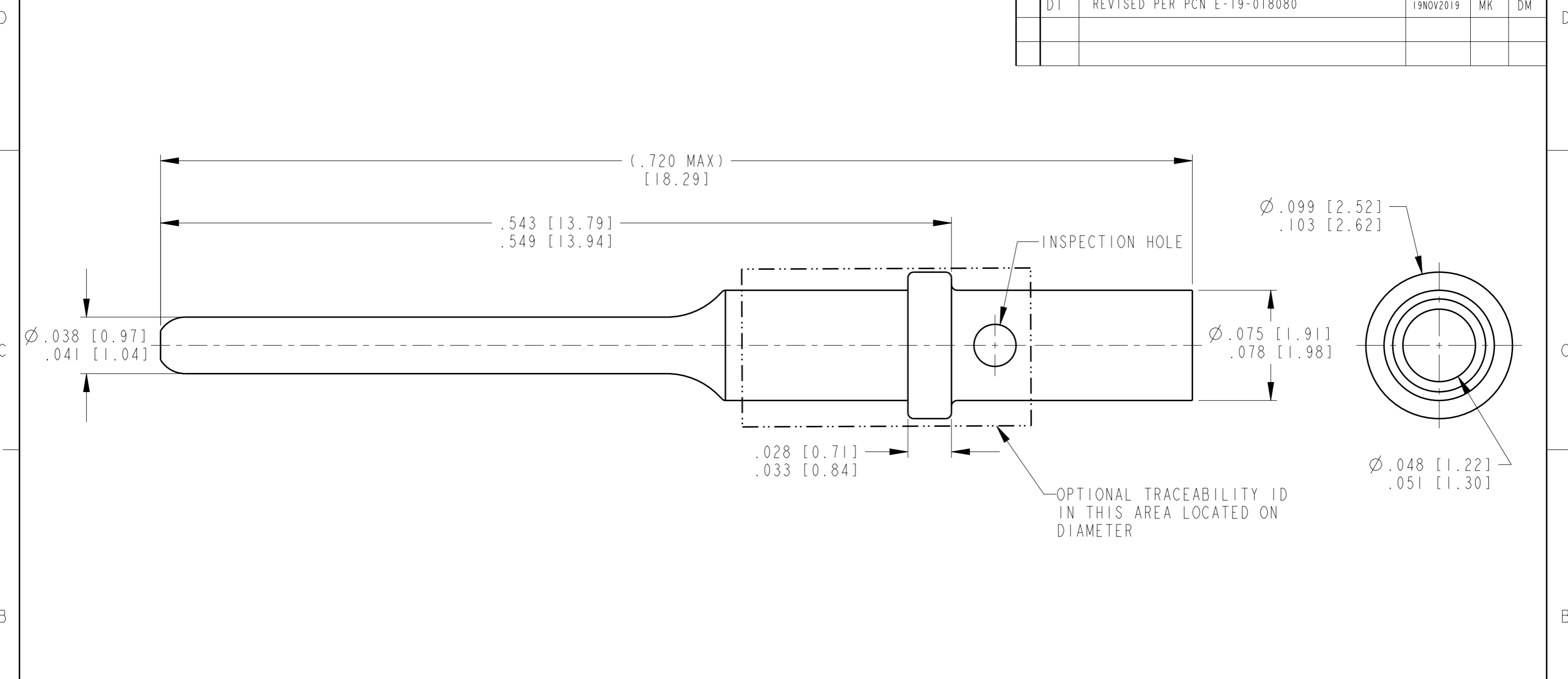


REVISIONS					
P	LTR	DESCRIPTION	DATE	DWN	APVD
	D	REVISED PER PCN E-18-001206	24JAN2018	JA	DM
	DI	REVISED PER PCN E-19-018080	19NOV2019	MK	DM



TE INTERNAL PN	DEUTSCH PN	PLATING
0460-202-2031	0460-202-2031	GOLD
0460-202-20141	0460-202-20141	NICKEL
0460-202-20309	0460-202-20309	TIN

(DI) I. SEE APPLICATION SPECIFICATION 114-151004 FOR CRIMP TOOLS AND WIRE RANGE

NOTES: UNLESS OTHERWISE SPECIFIED

THIS DRAWING IS A CONTROLLED DOCUMENT.		DWN D. MEYER 18DEC1997		
DIMENSIONS: INCHES [mm]		CHK D. MEYER 02DEC2011		
TOLERANCES UNLESS OTHERWISE SPECIFIED:		APVD R. REED 05DEC2011	NAME CONTACT PIN SIZE 20	
0 PLC ±		PRODUCT SPEC 108-151004	SIZE A3	
1 PLC ±		APPLICATION SPEC 114-151004	CAGE CODE 4AFU8	DRAWING NO 0460-202-20XX
2 PLC ±		MATERIAL	RESTRICTED TO	
3 PLC ±		FINISH	SCALE 15:1	
4 PLC ±		WEIGHT 0.26g	SHEET 1 OF 1	
ANGLES ±		CUSTOMER DRAWING	REV DI	