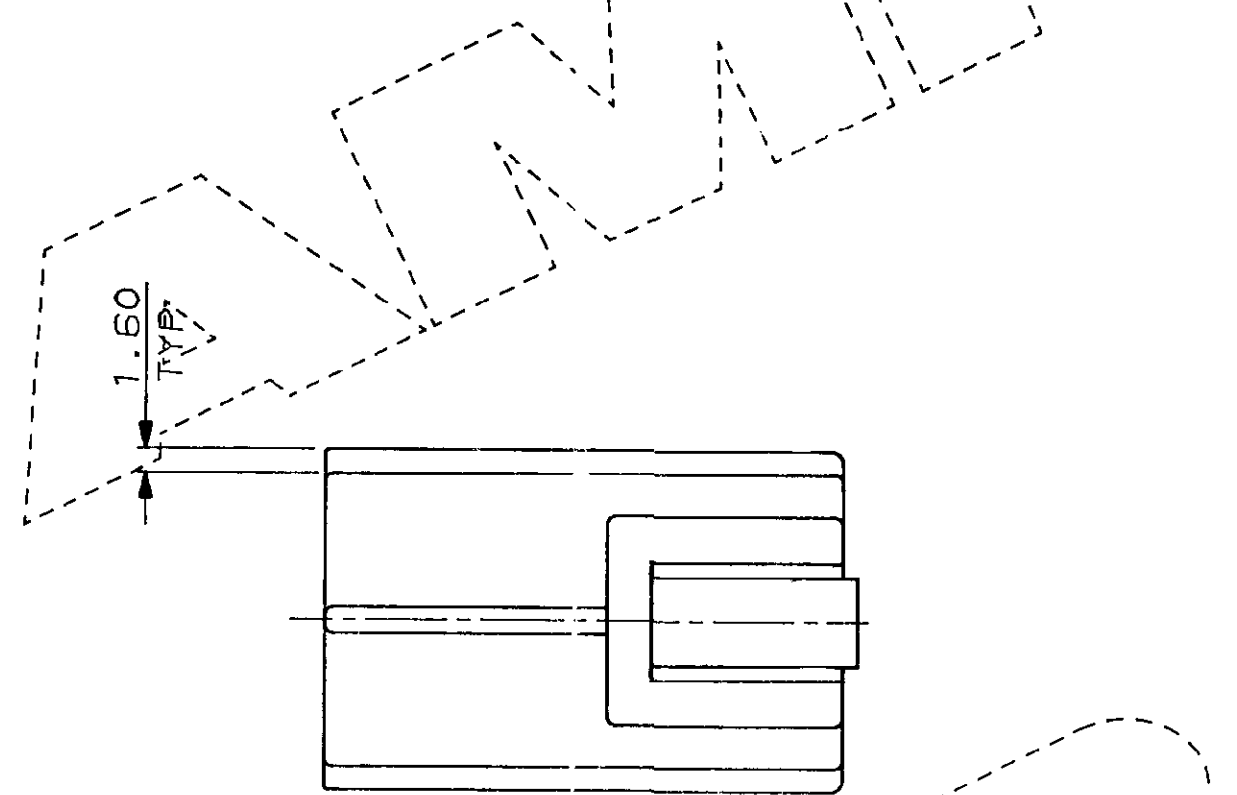
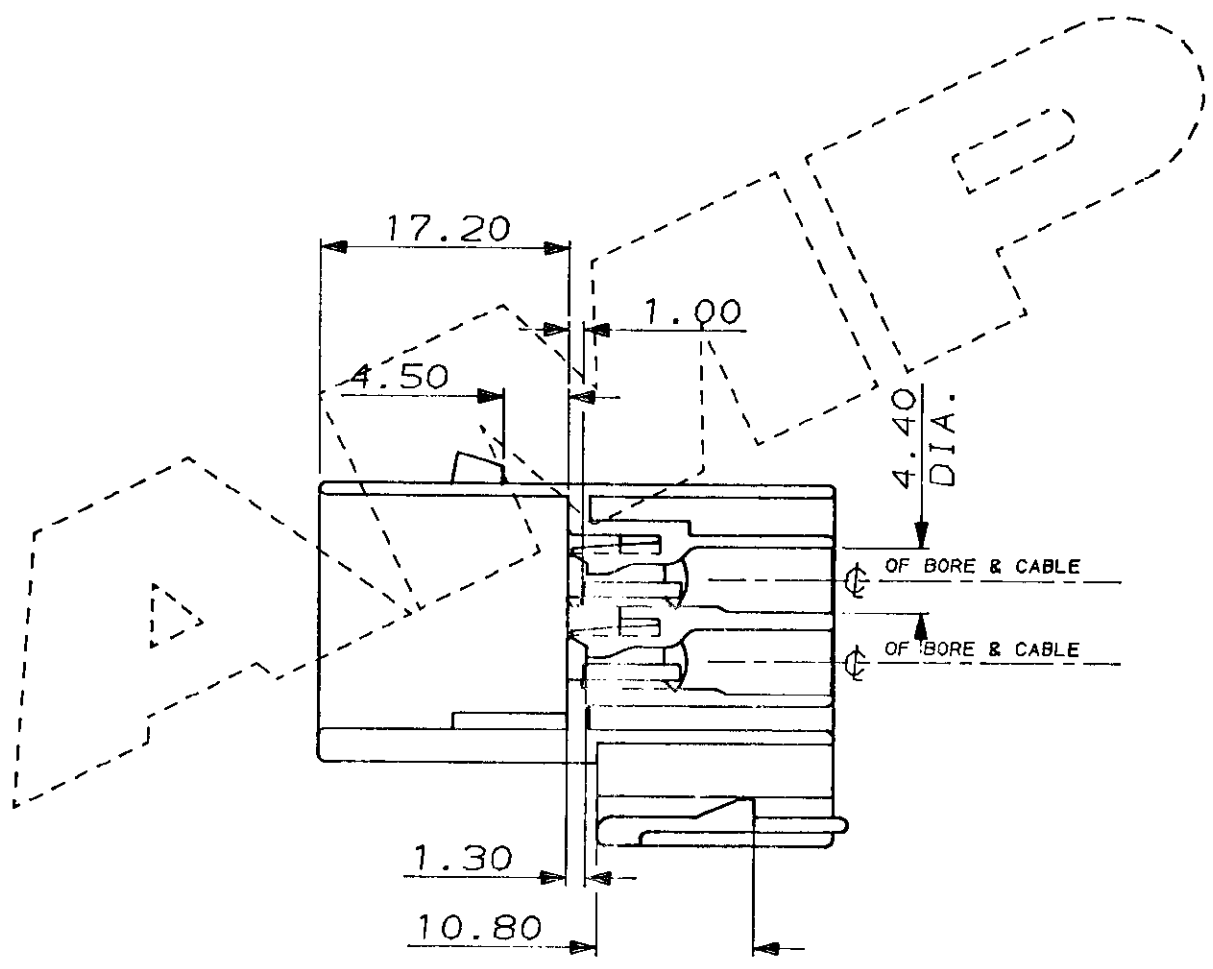
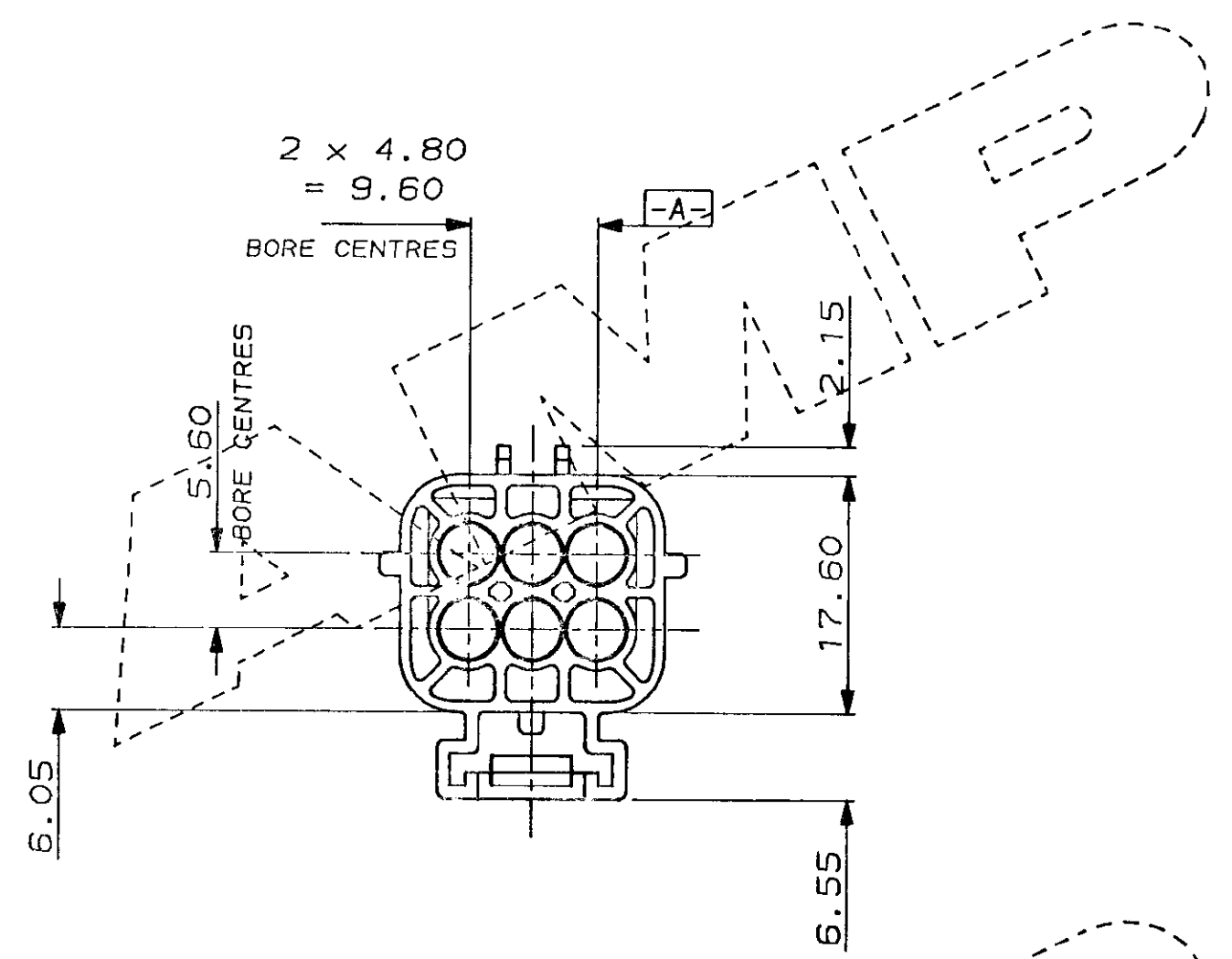
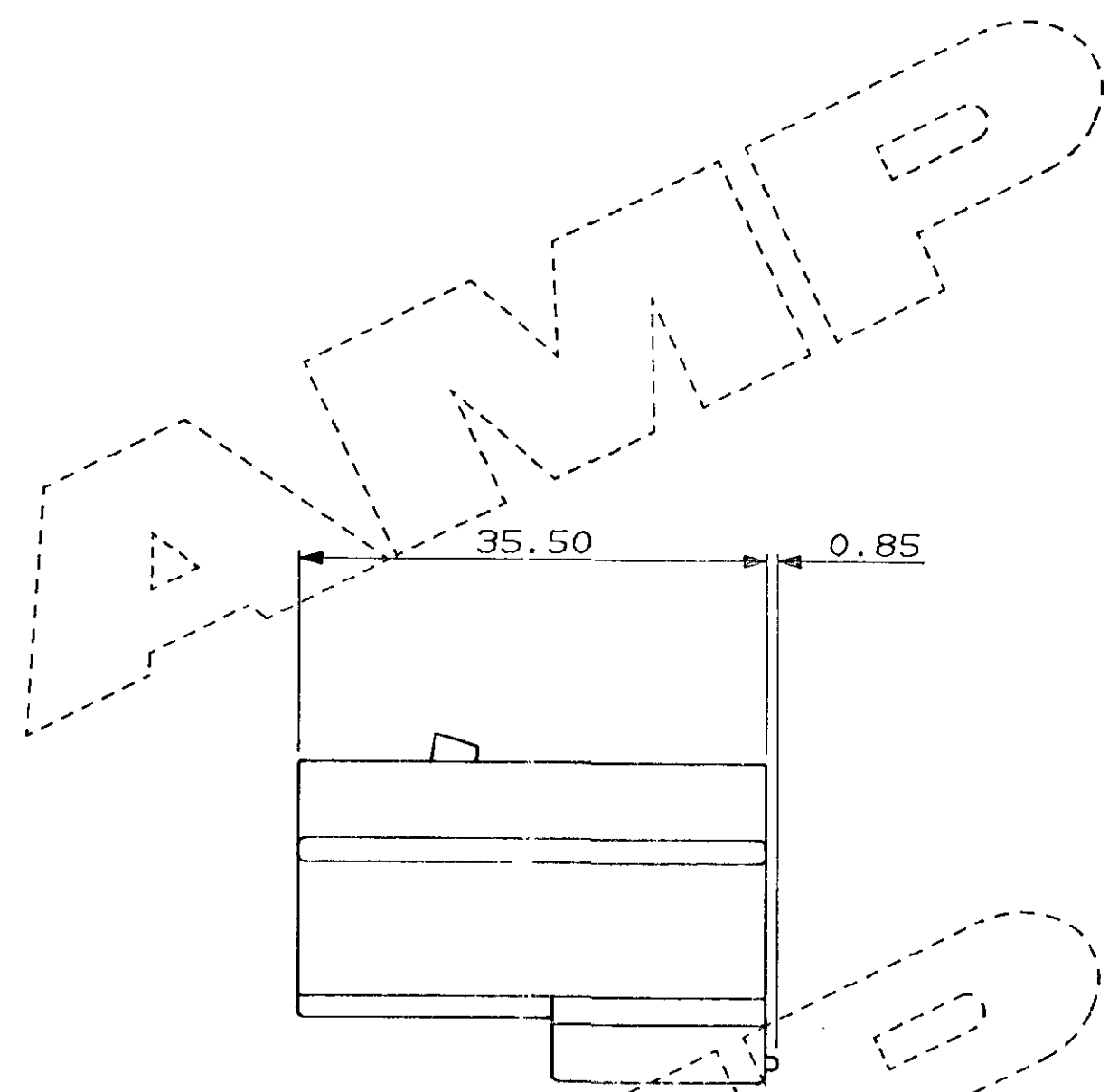
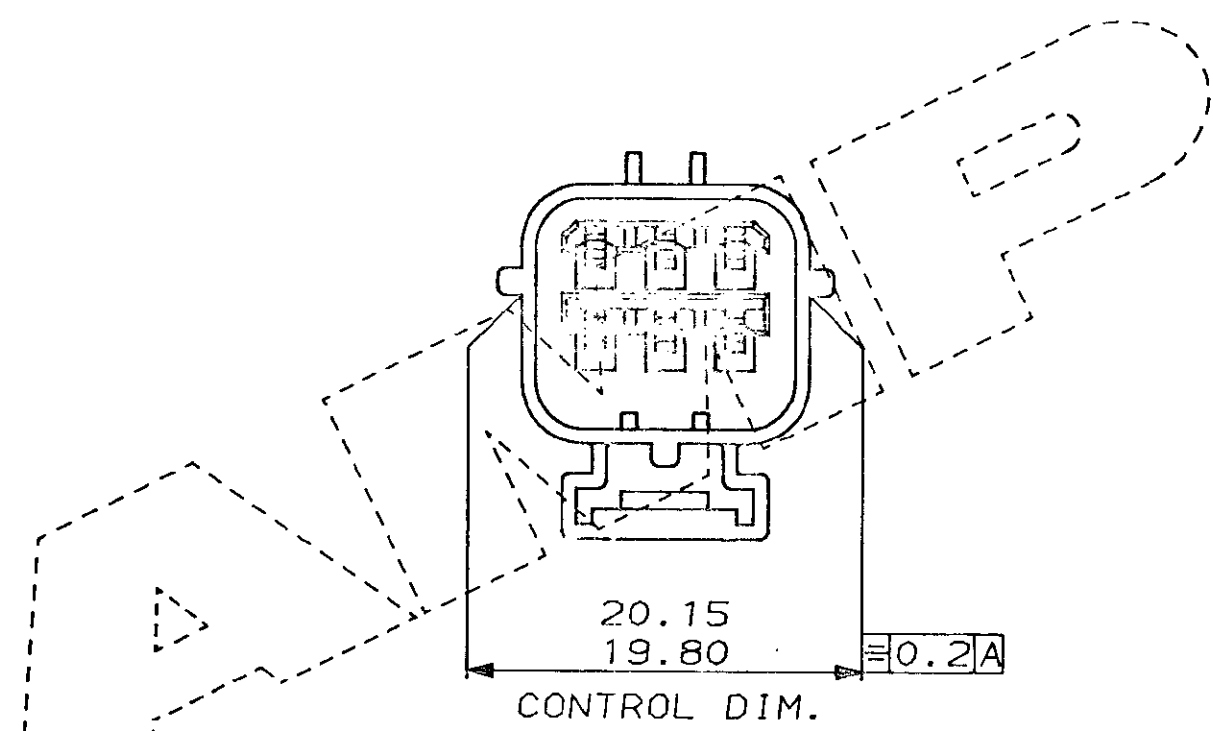
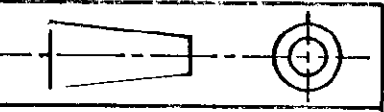


C.A.D. FILE CODE
S.C344265.C

DO NOT SCALE DIMENSIONS IN MM.



FOR HEADER DETAILS OF THIS PART
SEE CSP 8490 REV. 2.

WHITE	NYLON 6.6	344265-4
BLUE	NYLON 6.6	344265-3
RED	NYLON 6.6	344265-2
BLACK	NYLON 6.6	344265-1
FINISH	MATERIAL	PART NUMBER
CUSTOMER DWG FOR REFERENCE ONLY		RELEASED FOR PUBLICATION 3/11/87
©COPYRIGHT 1987 BY AMP OF GREAT BRITAIN LTD. ALL INTERNATIONAL RIGHTS RESERVED. ALL PRODUCTS MAY BE COVERED BY BRITISH AND FOREIGN PATENTS AND/OR PATENTS PENDING.		DR. J. Jobson 03 NOV 1987
TOLERANCES UNLESS OTHERWISE STATED: DEC ± 0.5 ANGLES ± 1°		CH. R. J. S. APP. B. J.
C	CON. DIM. WAS 20.15/19.85. ADDED -2 TO -4 AND HEADER DETS.	CS359 2.10.89
B	ADDED CONTROL DIM.	CS241 10.5.89
A	UPDATED	CS014 25.7.88
O	REL. FOR PROD.	C4898 21.3.88
REV	APPROVED	ECN DATE
NAME 6 WAY TAB HOUSING ECONOSEAL 3 LOW CURRENT		SCALE LOC SIZE DWG. No. REV SHEET
2/1 E A2 C344265		C 1/1