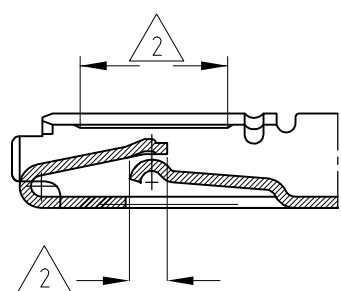
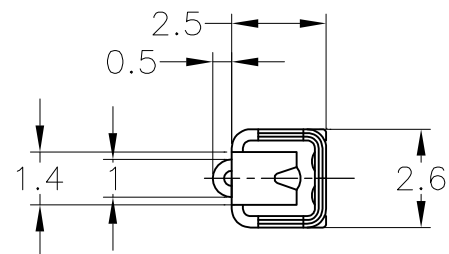


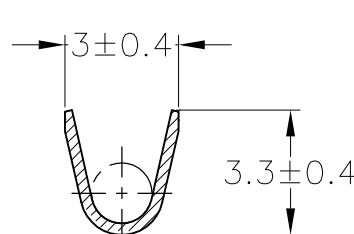
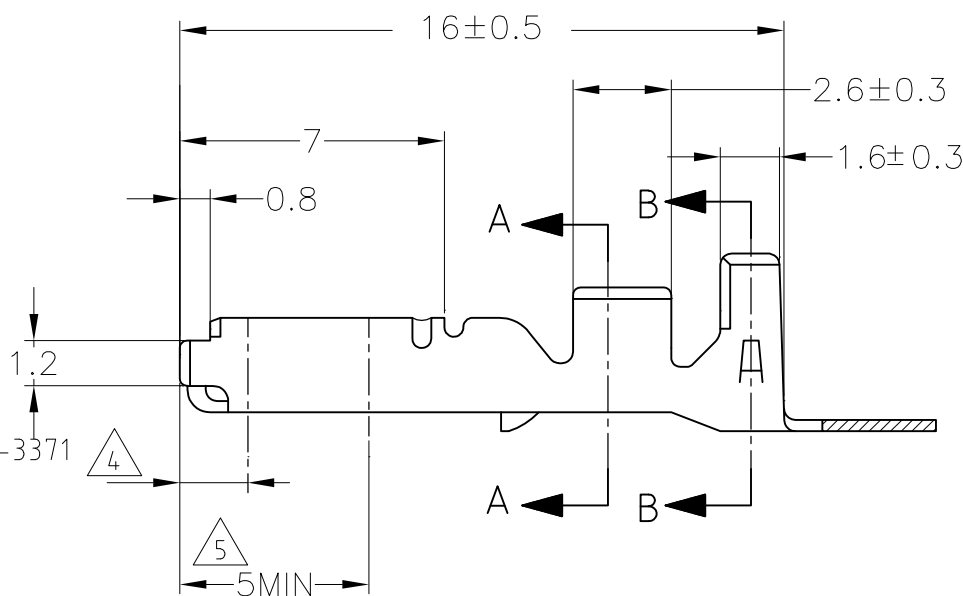
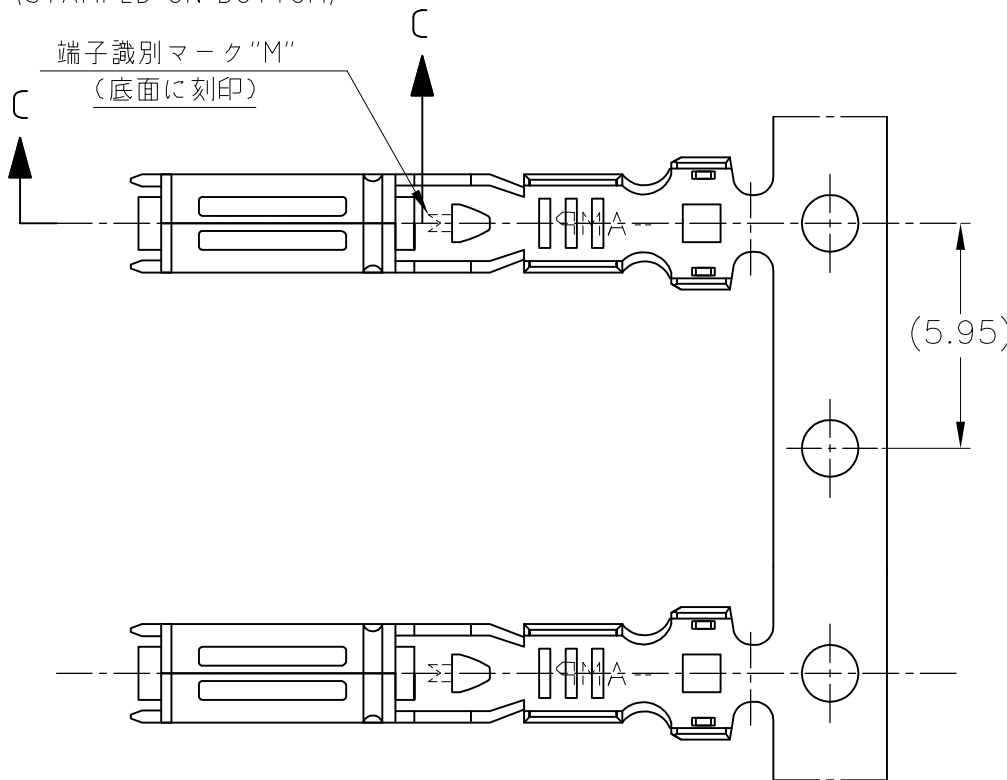
WIRE RANGE ID MARK
("M" SIZE MARK)
(STAMPED ON BOTTOM)

端子識別マーク "M"
(底面に刻印)

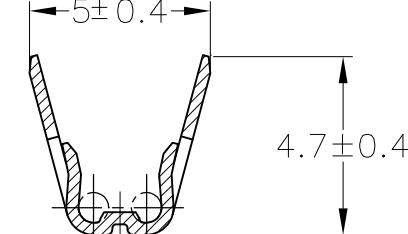
REVISIONS 変更					
P	LTR	DESCRIPTION	DATE	DWN	APVD
	F1	REVISED	ECR-19-018615	17JUL2020	DM HK



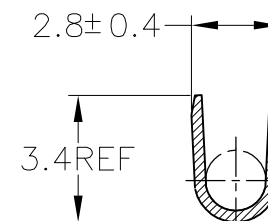
断面 C-C
SECT C-C



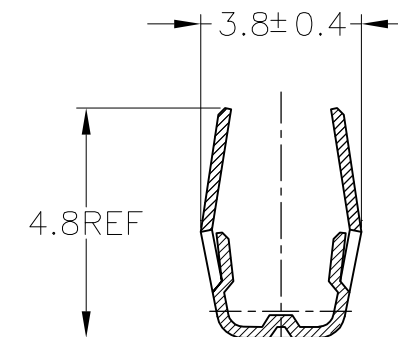
断面 A-A
SECT A-A



断面 B-B
SECT B-B



断面 A-A
SECT A-A
(175027のみ適用)
(ONLY 175027)



断面 B-B
SECT B-B
(175027のみ適用)
(ONLY 175027)

1. 製品規格; 108-5216, 108-5231, 108-5264, 108-3371

2. 部分金めっき

3. 取付適用規格; 114-5091

4. 識別用金めっき (全周)

5. 部分金めっき (両側のみ)

1. SPEC; 108-5216, 108-5231, 108-5264, 108-3371

2. SELECTIVE GOLD PLATING

3. APPLICATION SPEC; 114-5091

4. GOLD PLATING FOR DISCERNMENT (ALL AROUND)

5. SELECTIVE GOLD PLATING (ONLY BOTH SIDES OF THE BOX)

TOLERANCE UNLESS OTHERWISE SPECIFIED: 一般公差	
0 < x ≤ 10	±0.2
10 < x ≤ 30	±0.25
30 < x ≤ 100	±0.3
ANGLE	±3°

WIRE RANGE 0.5~1.25mm ² (AWG#20-#16)		INSULATION DIA. 2~2.6mmφ	
THIS DRAWING IS A CONTROLLED DOCUMENT.			
DIMENSIONS: 単位: 耗 mm		TOLERANCES UNLESS OTHERWISE SPECIFIED: 一般公差	
MATERIAL 材料 SEE TABLE		FINISH 仕上 SEE TABLE	
DWN M.SUGAWARA 12MAY06		CHK T.SHINOHARA 12MAY06	
APVD K.BETSUI 12MAY06		NAME 名称	
PRODUCT SPEC 製品規格 SEE NOTE 1		APPLICATION SPEC 取付適用規格 SEE NOTE 3	
WEIGHT -		SCALE 尺度 5:1	
CUSTOMER DRAWING		RESTRICTED TO -	
SIZE A3		CAGE CODE 00779	
DRAWING NO 番号 C-173631		SHEET 1 OF 1	
REV F1		REV F1	

Part No.	Finish	Material	Part No.
175027-7	部分金めっき SELECTIVE GOLD	黄銅 板厚0.3 BRASS ±0.3	1-173631-2
SEE DRAWING 173631-8			
175027-6	錫めっき済み PRE-TINNED	リン青銅 板厚0.3 PHOS BRO. ±0.3	173631-7
175027-2	部分金めっき SELECTIVE GOLD	銅合金 板厚0.3 COPPER ALLOY ±0.3	173631-6
175027-1	錫めっき済み PRE-TINNED	黄銅 板厚0.3 BRASS ±0.3	173631-2
175027-1	錫めっき済み PRE-TINNED	黄銅 板厚0.3 BRASS ±0.3	173631-1
パラ端子型番 L/P NUMBER	仕上 FINISH	材料 MATERIAL	型番 PART NUMBER



070 SERIES RECEPTACLE CONTACT