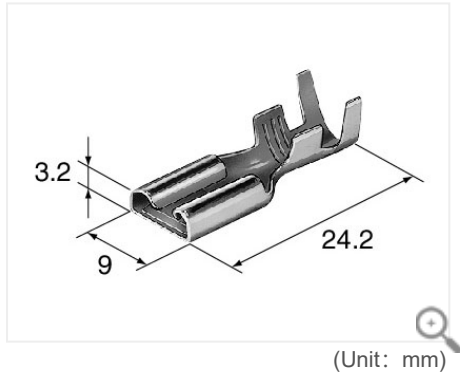


Product information



[Contact us for products](#)

8242-4068

HD series

Terminal For AV Wire

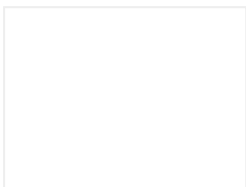
7.8mm(305)

Sealed/Unsealed	unsealed
Male/Female	F
Tab Size	7.8mm(305)
Mating parts	<u>8232-4238</u> (HD series)

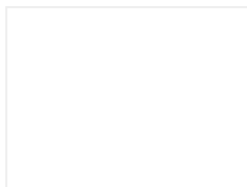
Applicable wire size	3.0-5.0mm ²
Cable overall diameter (mm)	3.6-4.9
Materials	Brass
Surface treatment	Anti-Corrision treatment
Thickness (mm)	0.4
Contact resistance	Initial 3mΩ Max. after durability tests 6mΩ Max.
Leak current	100μA Max.
Insulation resistance	100MΩ Min.

HD series 7.8mm(305) related products

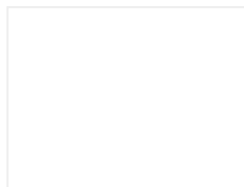
Housing (3)



6.0/7.8mm 6950-0978



6.0/7.8mm 6950-0366



7.8mm 6098-0210