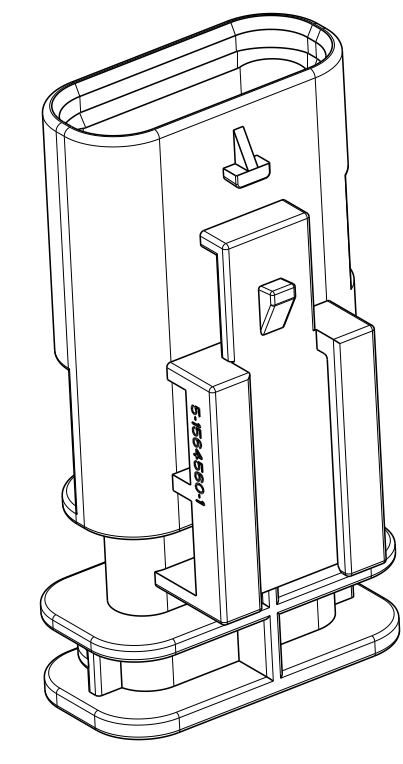
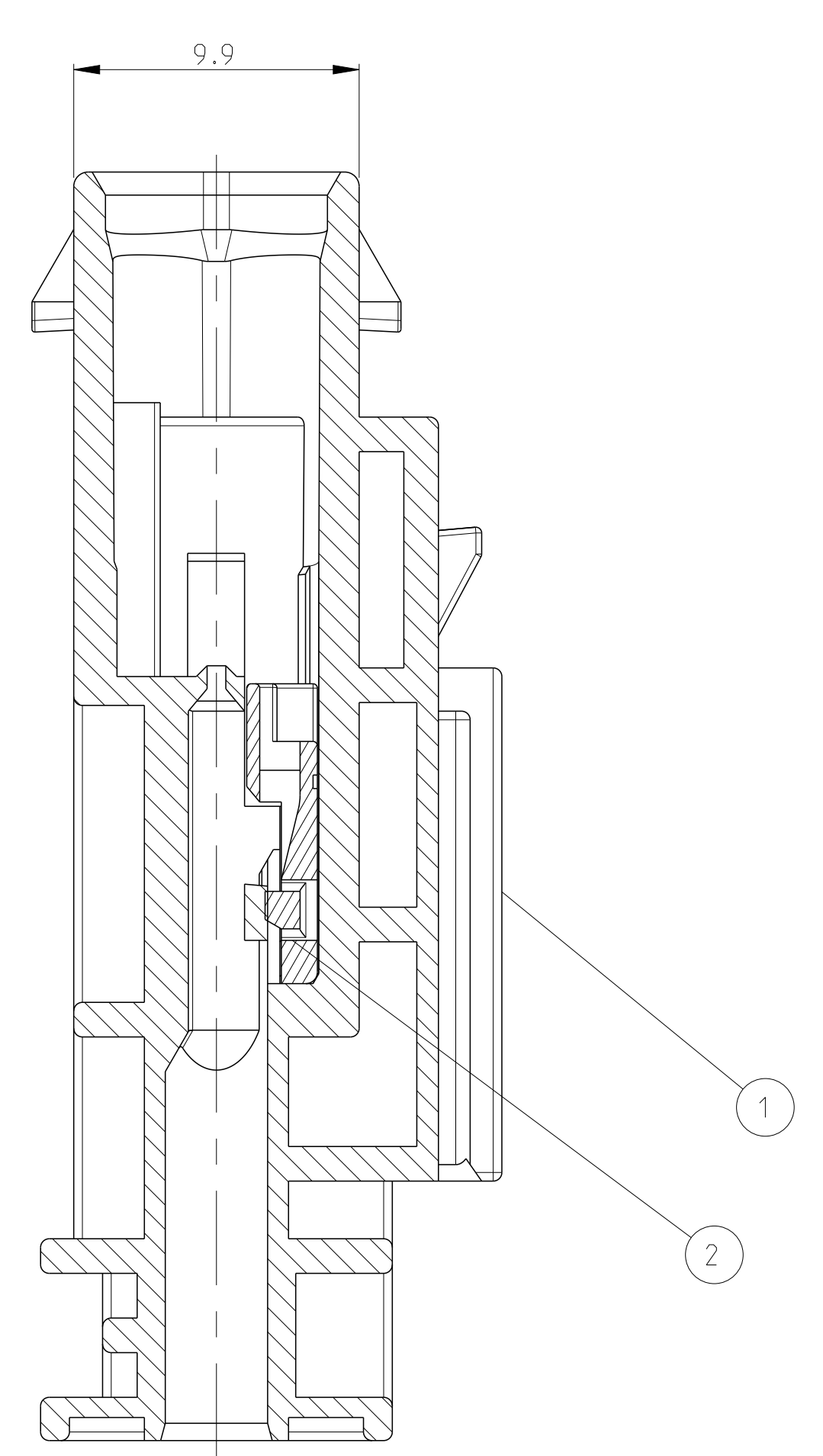
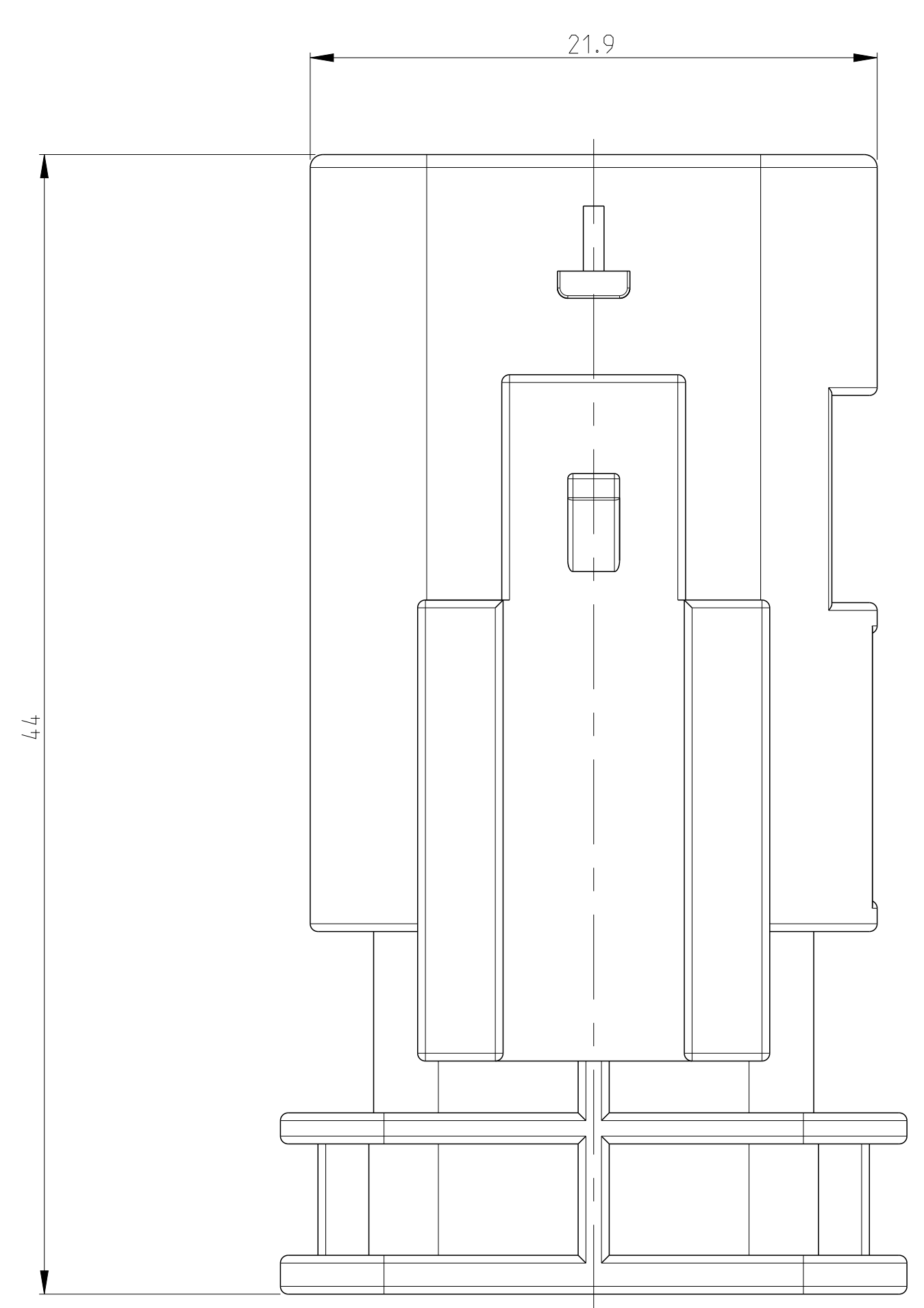
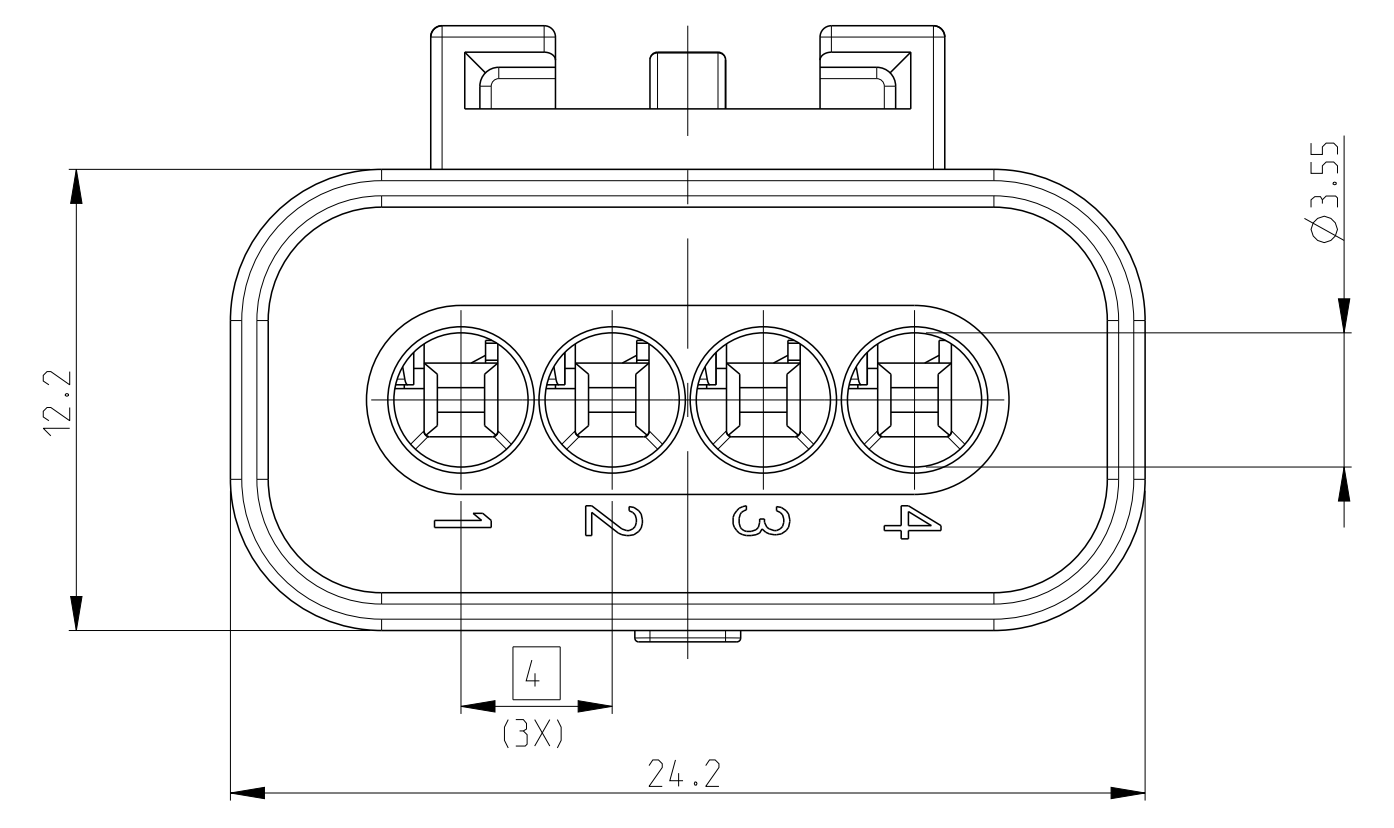


SHOWN 1-1564559-1

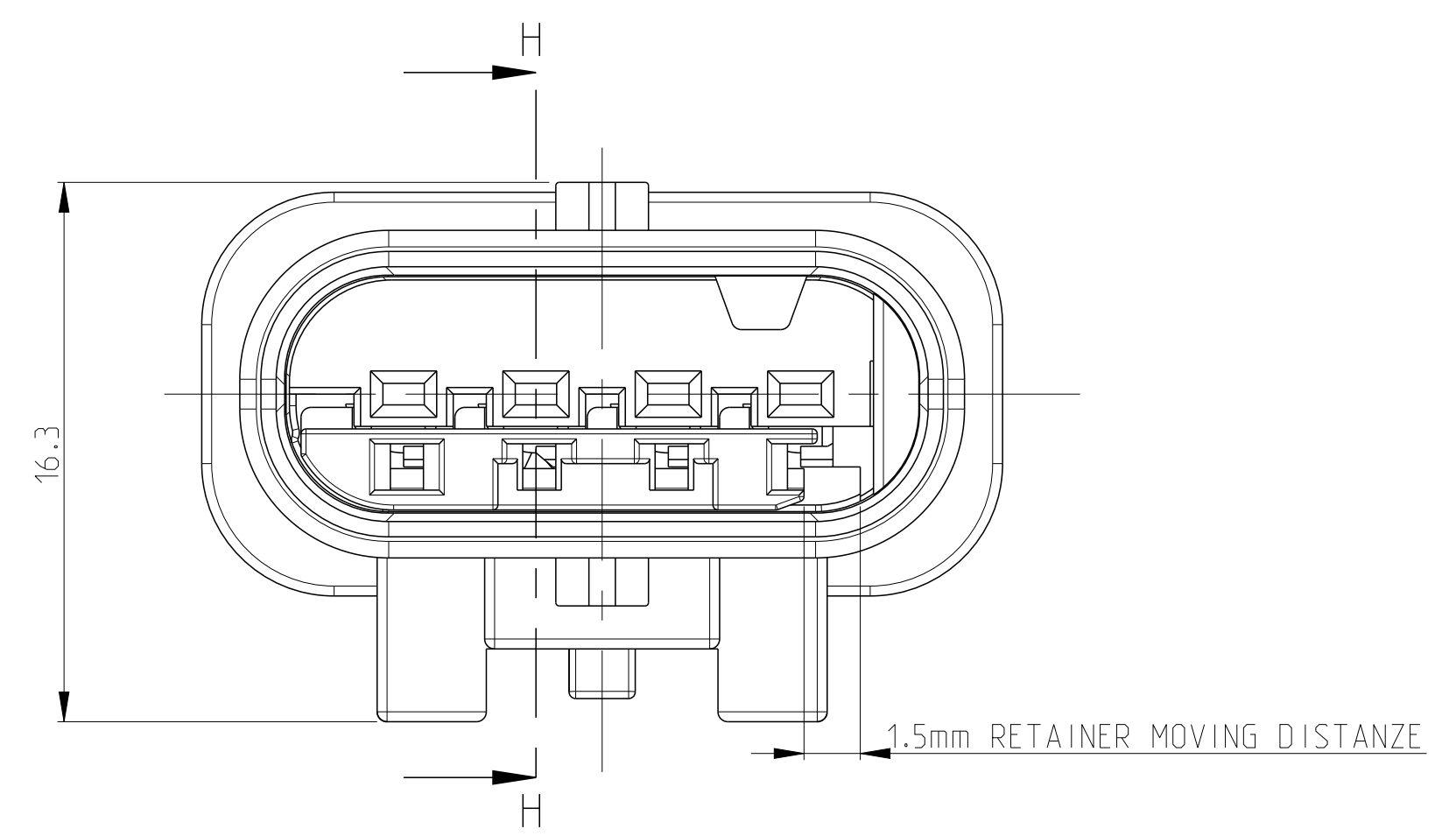


2:1

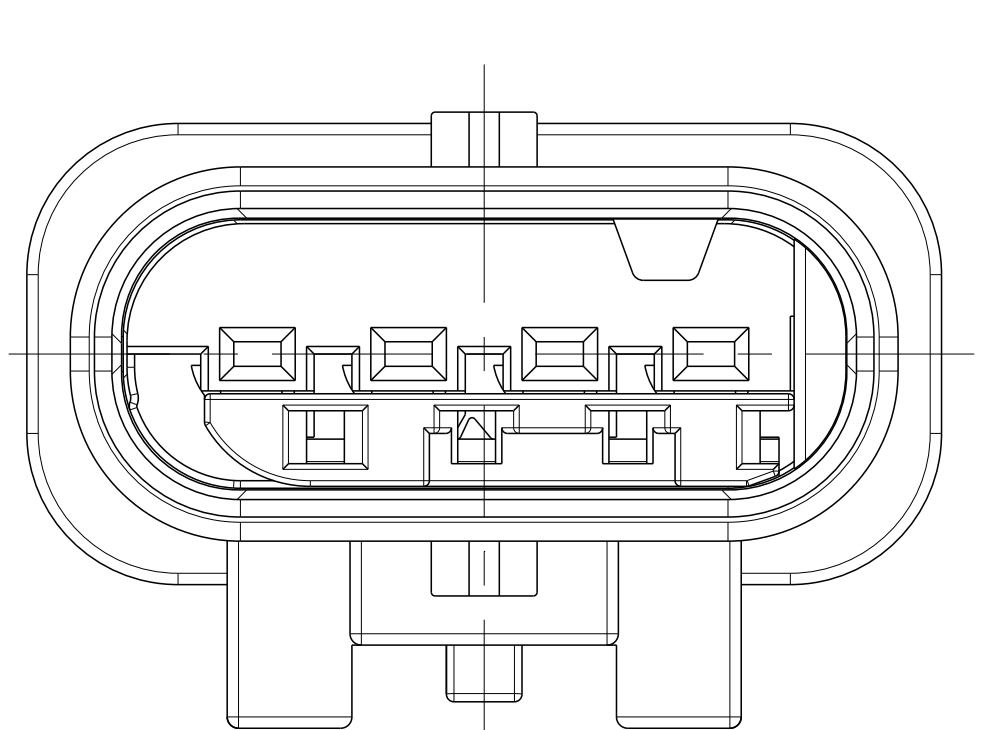


H-H

RETAINER IN PRE LOCKED POSITION
Kontaktsicherung in Vorraststellung

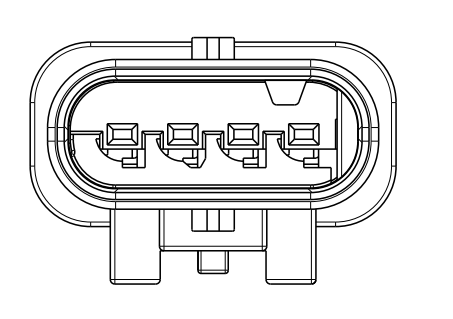


RETAINER IN FINAL LOCKED POSITION
2. Kontaktsicherung in Endraststellung

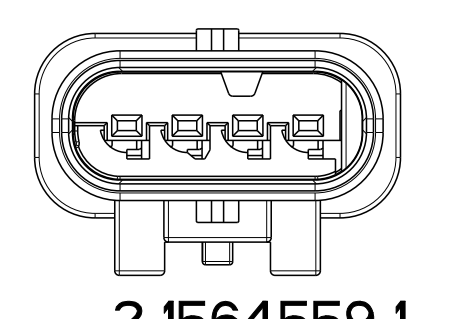


RETAINER MOVING DIRECTION
2. Kontaktsicherung Verschiebeweg

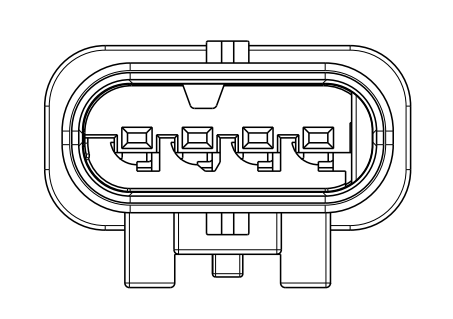
CODINGS 2:1



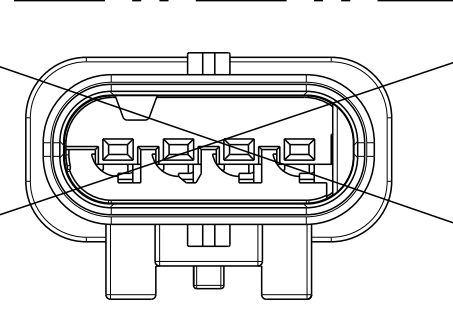
A 1-1564559-1
(BLACK)
1-1564559-4
(YELLOW FOR GM)



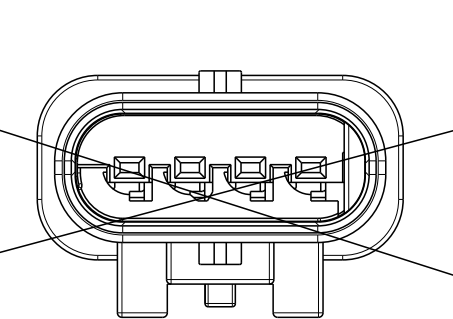
B 2-1564559-1
(GREY)
2-1564559-4
(YELLOW FOR GM)



C 3-1564559-1
3-1564559-4
(YELLOW FOR GM)

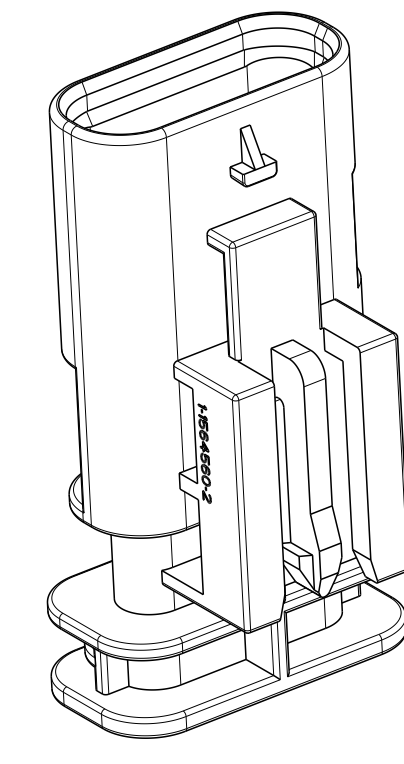


D 4-1564559-1

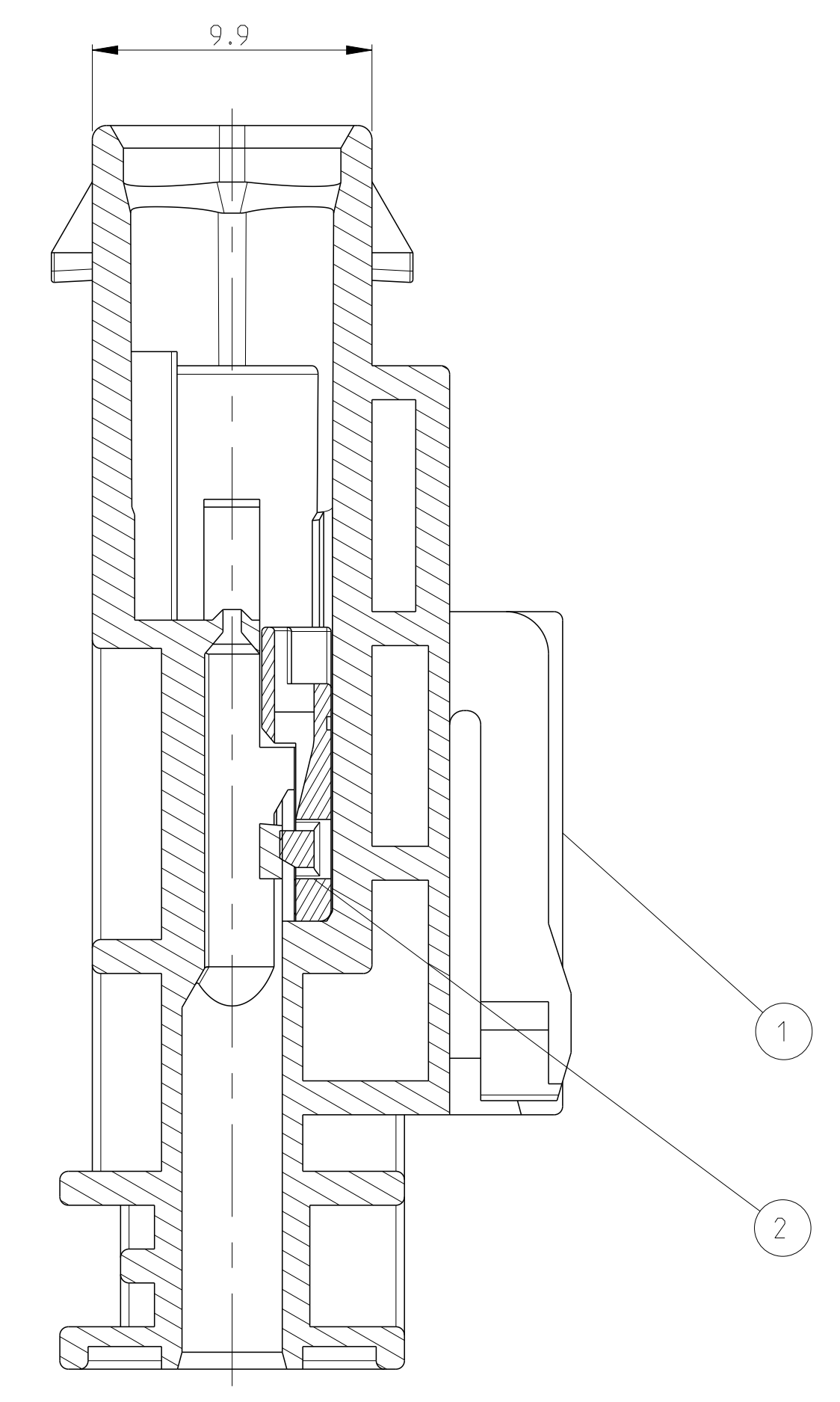
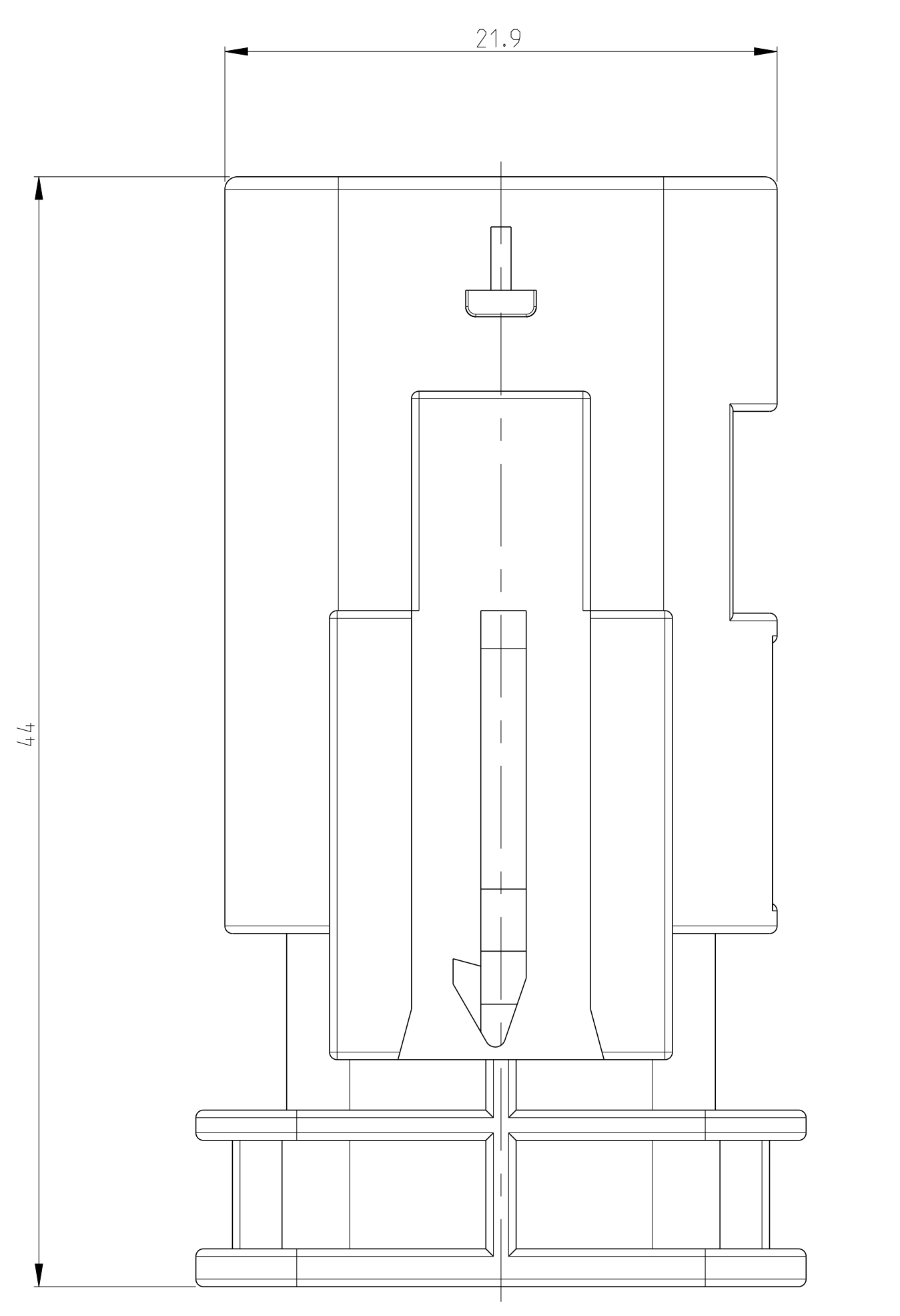
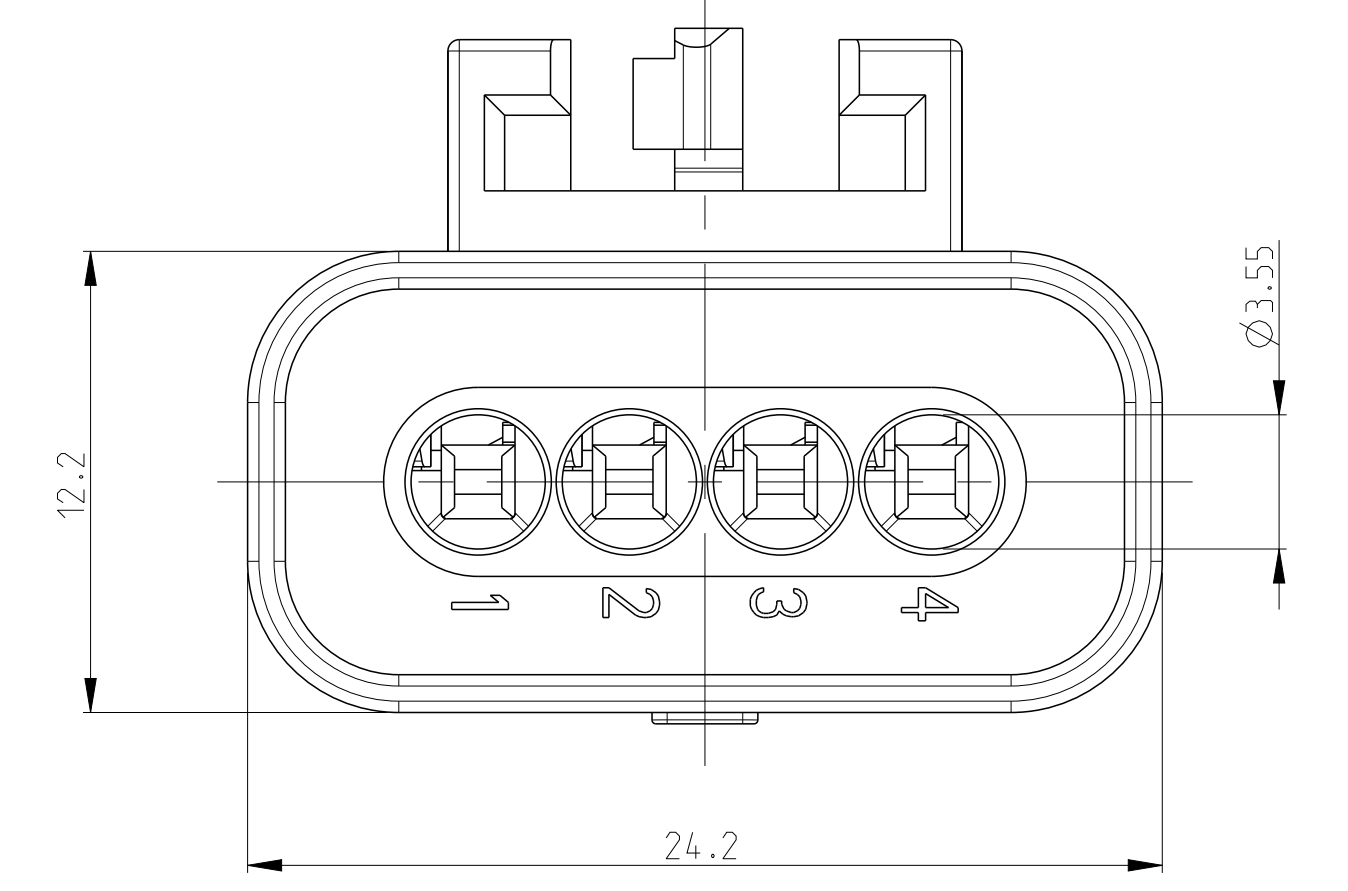


Z 5-1564559-1

SHOWN 1-1564559-2

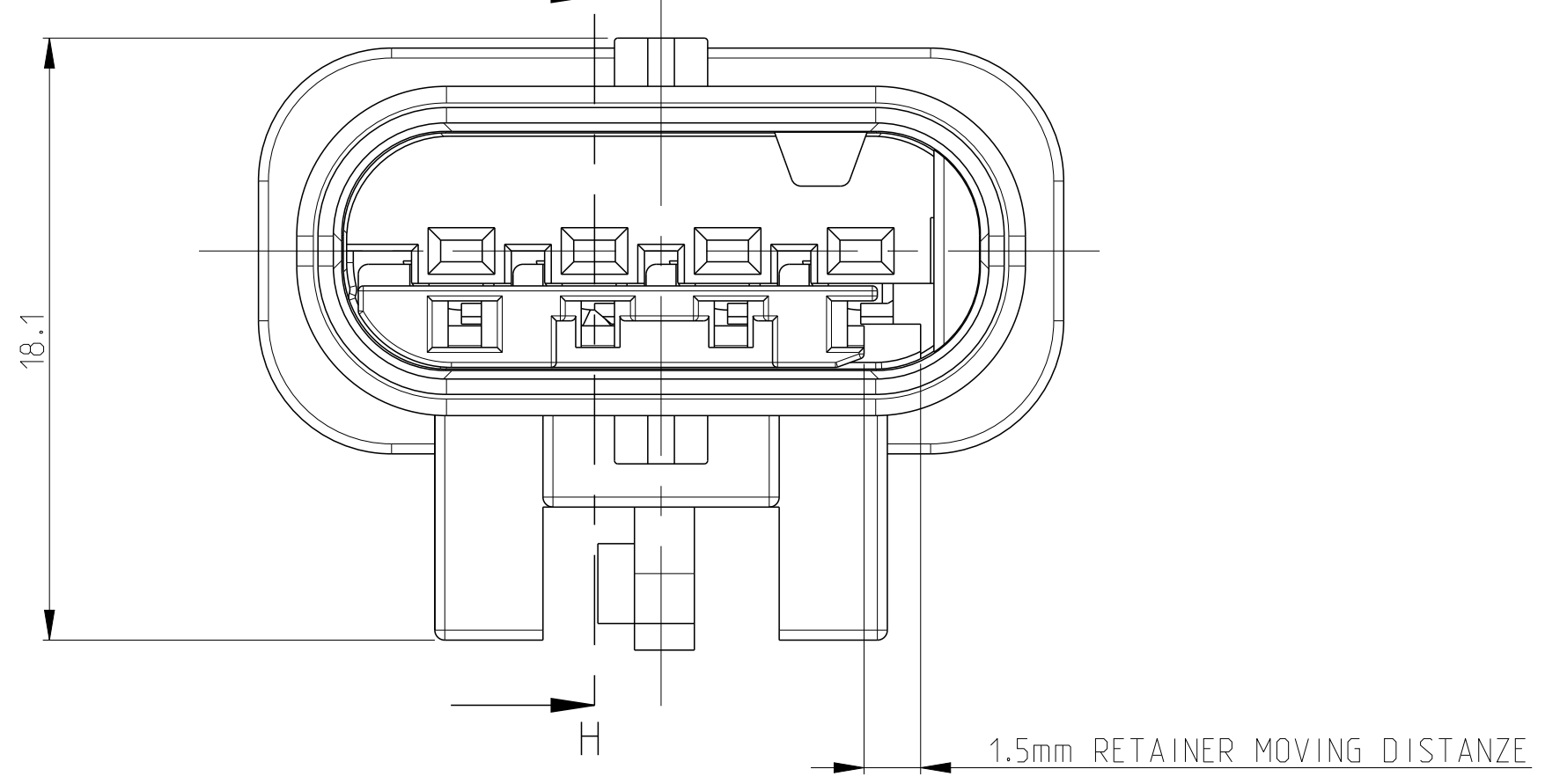


2:1

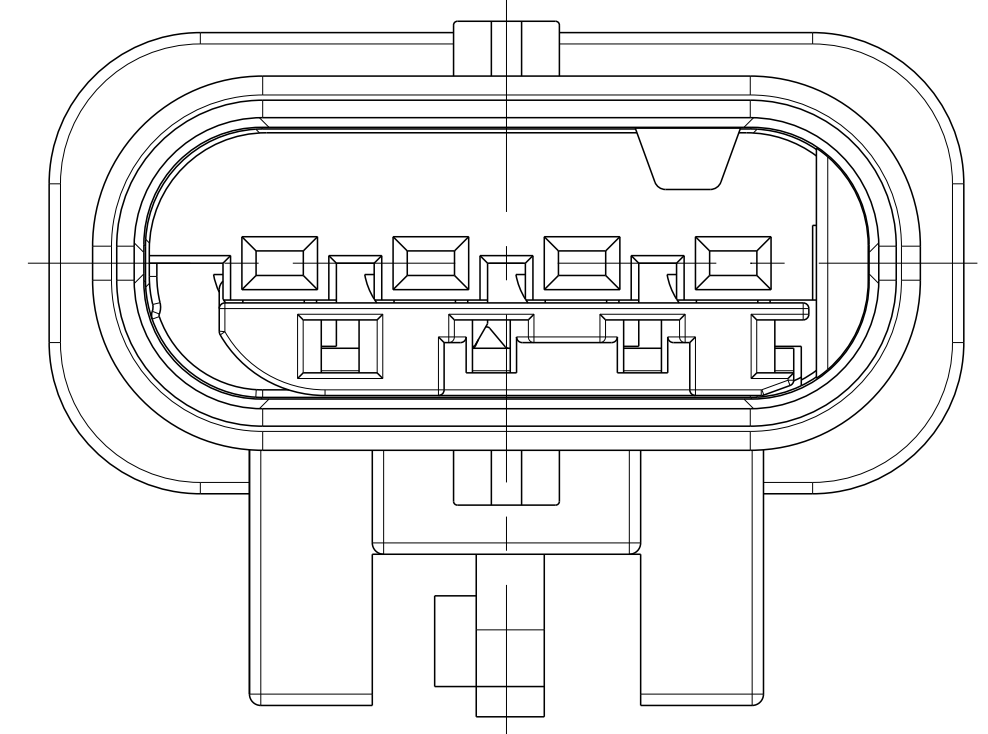


H-H

RETAINER IN PRE LOCKED POSITION
Kontaktsicherung in Vorraststellung



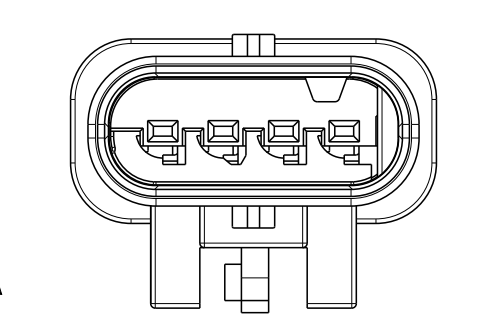
RETAINER IN FINAL LOCKED POSITION
2. Kontaktsicherung in Endraststellung



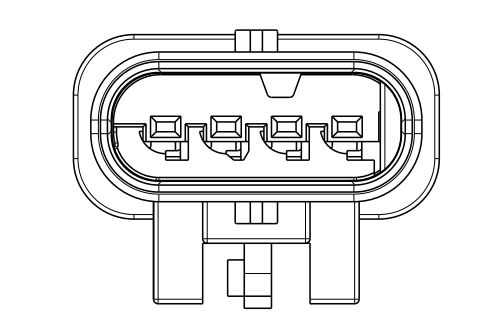
RETAINER MOVING DIRECTION
2. Kontaktsicherung Verschiebeweg

REV	DATE	DESCRIPTION	BY	CHK	APPD
A4	16APR2011	PCN-E-11-008327		MT	HR
A5	06OCT2006	PCN-E-14-014884		MT	HR

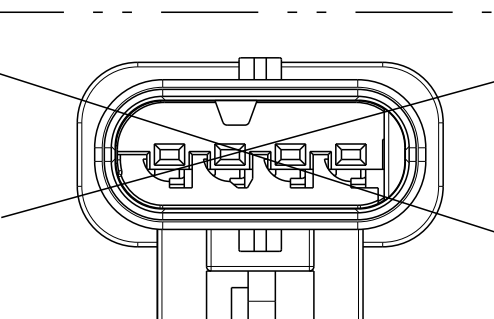
CODINGS 2:1



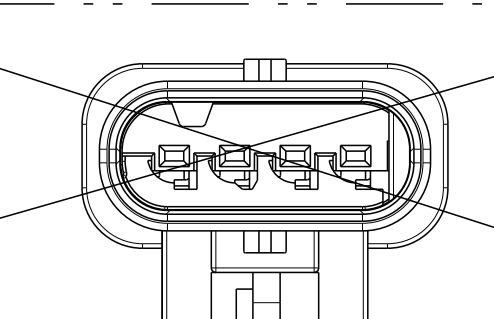
A 1-1564559-2
(BLACK)



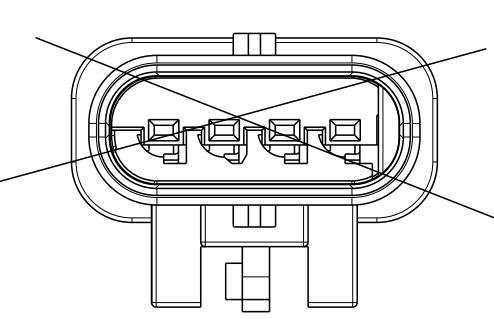
B 2-1564559-2
(GREY)



C 3-1564559-2



D 4-1564559-2



Z 5-1564559-2

TE-PN TERMINALS	WIRE RANGE	TE-PN SINGLE WIRE SEAL	TE-PN BLIND PLUG
2141868	0.08 - 0.22mm ²	967067-2	967056-1
1718758	0.25 - 0.35mm ²	967067-2	
1718760	0.5 - 0.75mm ²	967067-1	
1718762	1mm ²	967067-1	

TERMINAL TE-APPLICATION SPEC.: 114-18464.

TE SUITABLE FEMALE HSG. PASSENDE BUCHSENGEH.	TE- Bestell-Nr. ORDER-NO.	ASSY REV. CODE	Benennung TITLE	QTY	Benennung Einzelteil TITLE	Werkstoff MATERIAL	Oberflaeche/Farbe SURFACE/COLOUR	Pos. ITEM
	5-1564559-2	A	Z	1	Kontaktsicherung RETAINER	PA66-GF35	violett/VIOLET	2
	4-1564559-2	A	D	1	Stiftgehäuse 4pol. MALE HOUSING 4POS.	PBT-GF30	schwarz/BLACK	1a
	3-1564559-2	A	C	1	Kontaktsicherung RETAINER	PA66-GF35	violett/VIOLET	2
	2-1670918-2	2-1564559-2	A	1	Stiftgehäuse 4pol. MALE HOUSING 4POS.	PBT-GF30	schwarz/BLACK	1c
	1-1670918-2	1-1564559-2	A	1	Kontaktsicherung RETAINER	PA66-GF35	violett/VIOLET	2

3-1670918-1	3-1564559-4	A	C	1	Kontaktsicherung RETAINER	PA66-GF35	violett/VIOLET	2
2-1670918-1	2-1564559-4	A	B	1	Stiftgehäuse 4pol. MALE HOUSING 4POS.	PA66-GF35	violett/VIOLET	2
1-1670918-1	1-1564559-4	A	A	1	Kontaktsicherung RETAINER	PBT-GF30	gelb/YELLOW	1a
	5-1564559-1	A	Z	1	Stiftgehäuse 4pol. MALE HOUSING 4POS.	PBT-GF30	schwarz/BLACK	1z
	4-1564559-1	A	D	1	Kontaktsicherung RETAINER	PA66-GF35	violett/VIOLET	2
	3-1564559-1	A	C	1	Kontaktsicherung RETAINER	PA66-GF35	violett/VIOLET	2
2-1670918-1	2-1564559-1	A	B	1	Stiftgehäuse 4pol. MALE HOUSING 4POS.	PA66-GF35	violett/VIOLET	2
1-1670918-1	1-1564559-1	A	A	1	Kontaktsicherung RETAINER	PBT-GF30	grau/GREY	1b
	5-1564559-2	A	Z	1	Stiftgehäuse 4pol. MALE HOUSING 4POS.	PA66-GF35	violett/VIOLET	2
	4-1564559-2	A	D	1	Kontaktsicherung RETAINER	PBT-GF30	schwarz/BLACK	1a

TE SUITABLE FEMALE HSG. PASSENDE BUCHSENGEH.	TE- Bestell-Nr. ORDER-NO.	ASSY REV. CODE	Benennung TITLE	QTY	Benennung Einzelteil TITLE	Werkstoff MATERIAL	Oberflaeche/Farbe SURFACE/COLOUR	Pos. ITEM	
	3-1670918-1	3-1564559-4	A	C	1	Kontaktsicherung RETAINER	PA66-GF35	violett/VIOLET	2
	2-1670918-1	2-1564559-4	A	B	1	Stiftgehäuse 4pol. MALE HOUSING 4POS.	PA66-GF35	violett/VIOLET	2
	1-1670918-1	1-1564559-4	A	A	1	Kontaktsicherung RETAINER	PBT-GF30	gelb/YELLOW	1a
	5-1564559-1	A	Z	1	Stiftgehäuse 4pol. MALE HOUSING 4POS.	PBT-GF30	schwarz/BLACK	1z	
	4-1564559-1	A	D	1	Kontaktsicherung RETAINER	PA66-GF35	violett/VIOLET	2	
	3-1564559-1	A	C	1	Kontaktsicherung RETAINER	PA66-GF35	violett/VIOLET	2	
	2-1670918-1	2-1564559-1	A	B	1	Stiftgehäuse 4pol. MALE HOUSING 4POS.	PA66-GF35	violett/VIOLET	2
	1-1670918-1	1-1564559-1	A	A	1	Kontaktsicherung RETAINER	PBT-GF30	grau/GREY	1b
	5-1564559-2	A	Z	1	Stiftgehäuse 4pol. MALE HOUSING 4POS.	PA66-GF35	violett/VIOLET	2	
	4-1564559-2	A	D	1	Kontaktsicherung RETAINER	PBT-GF30	schwarz/BLACK	1a	

REGRIND MAX. 25%

THIS DRAWING IS A CONTROLLED DOCUMENT. DATE: 07JUL2008. BY: A. LOESEE. CH. RIIPER. 07JUL2008. G. MUMMER. 08JUL2008. DIMENSIONS: 0 P/LC Ø0.5, 1 P/LC Ø0.5, 2 P/LC Ø0.5, 3 P/LC Ø0.5, 4 P/LC Ø0.5. PRODUCT SPEC: 108-94.177-1. APPLICATION SPEC: 114-18910-1. ANGLE: 45°. WEIGHT: 6.76g. MATERIAL: FINISH: CUSTOMER DRAWING. SCALE: 5:1. SHEET: 1 OF 1. REV: A5.

STE TE Connectivity
 MALE HOUSING, 4Pos., MCON 1.2 SEALED TOP / SIDE LATCH
 Stiftgehäuse, 4pol., MCON 1.2 gedichtet