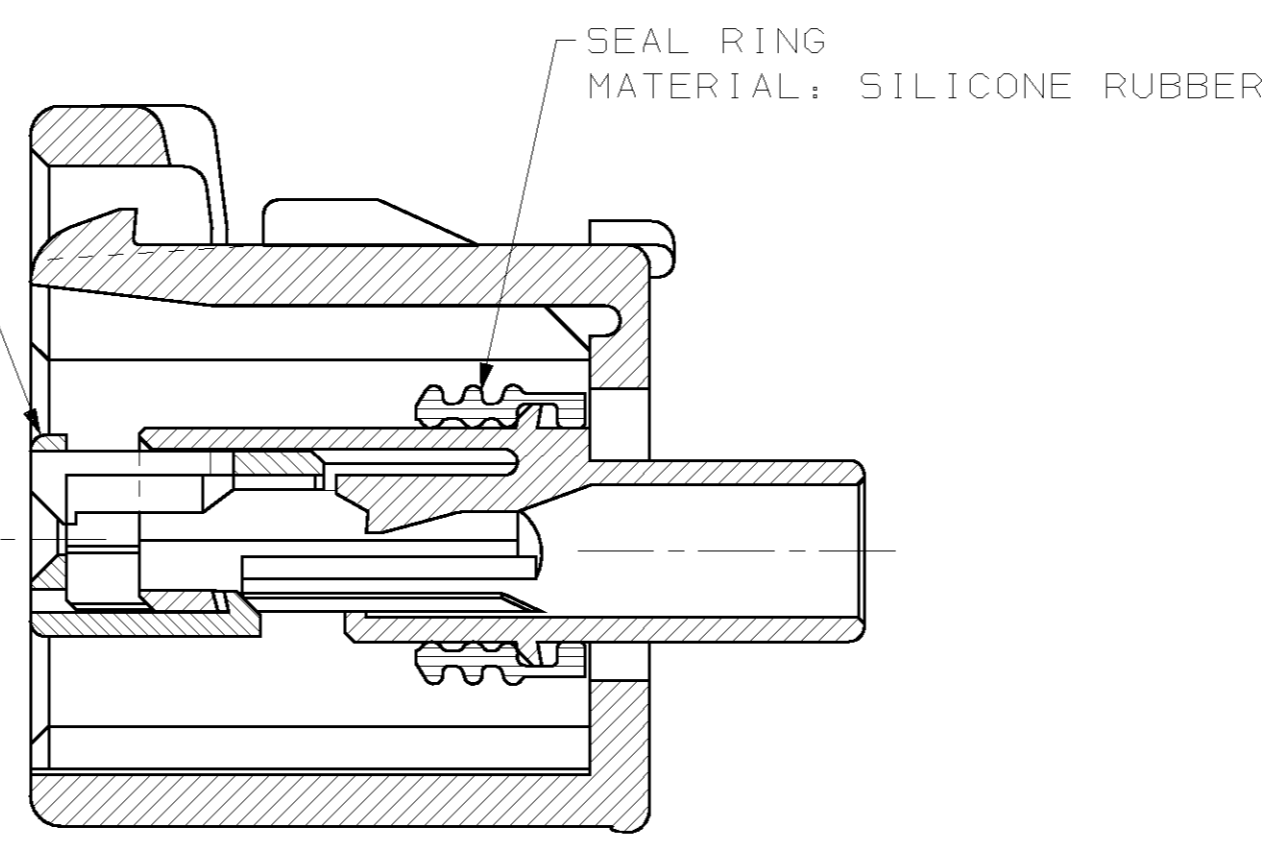
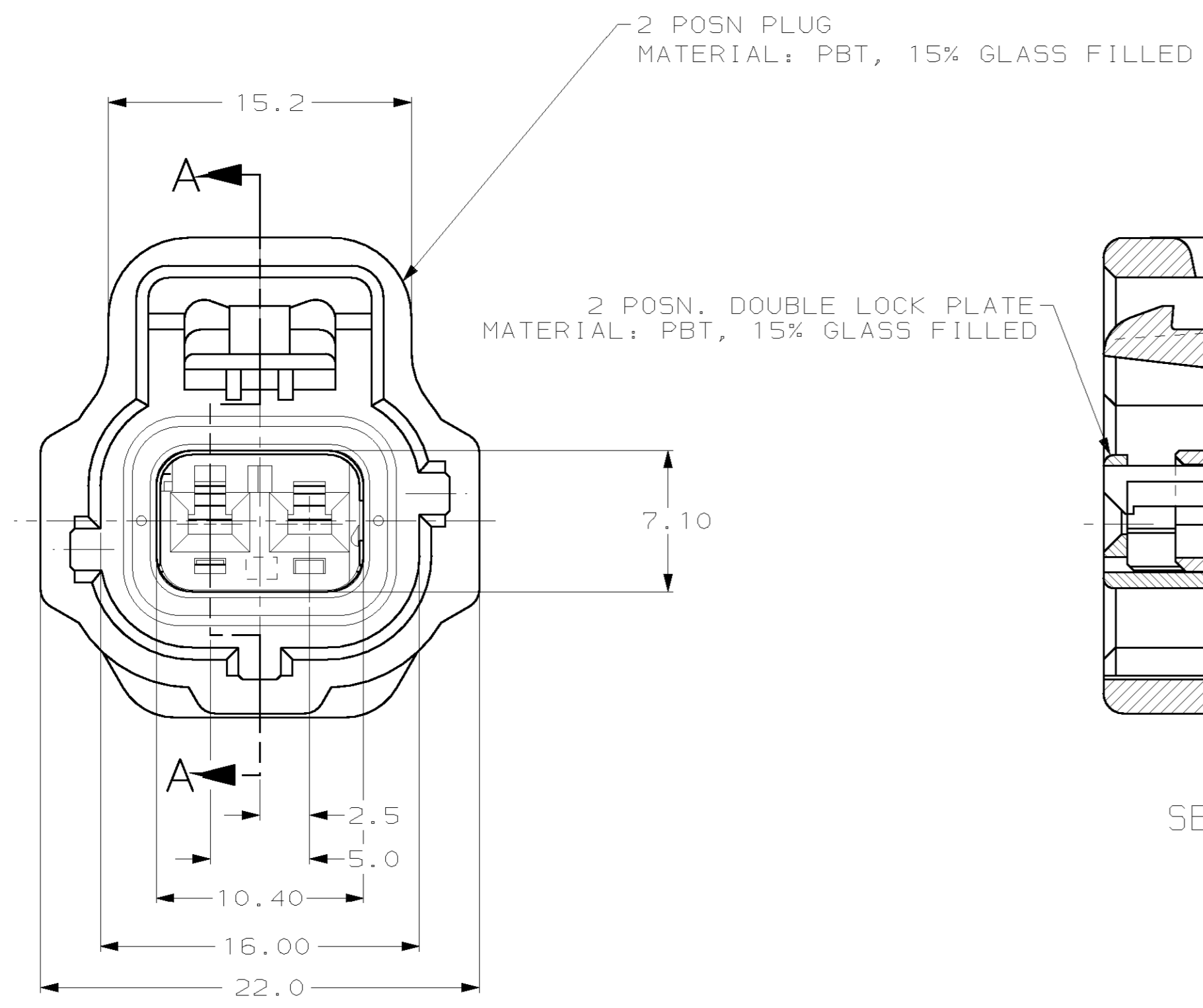
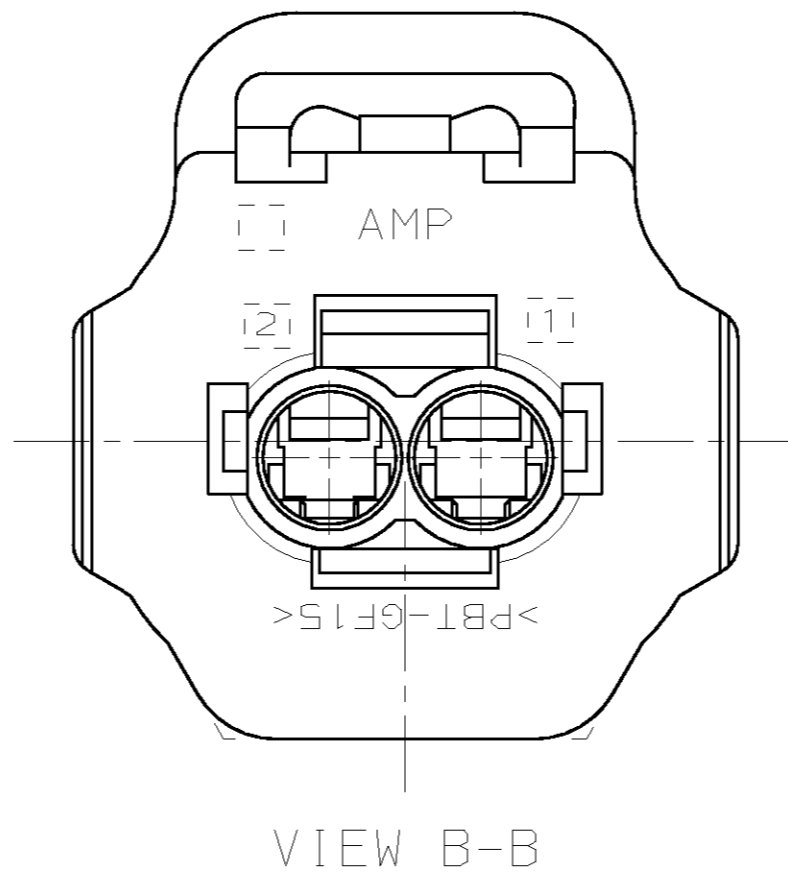
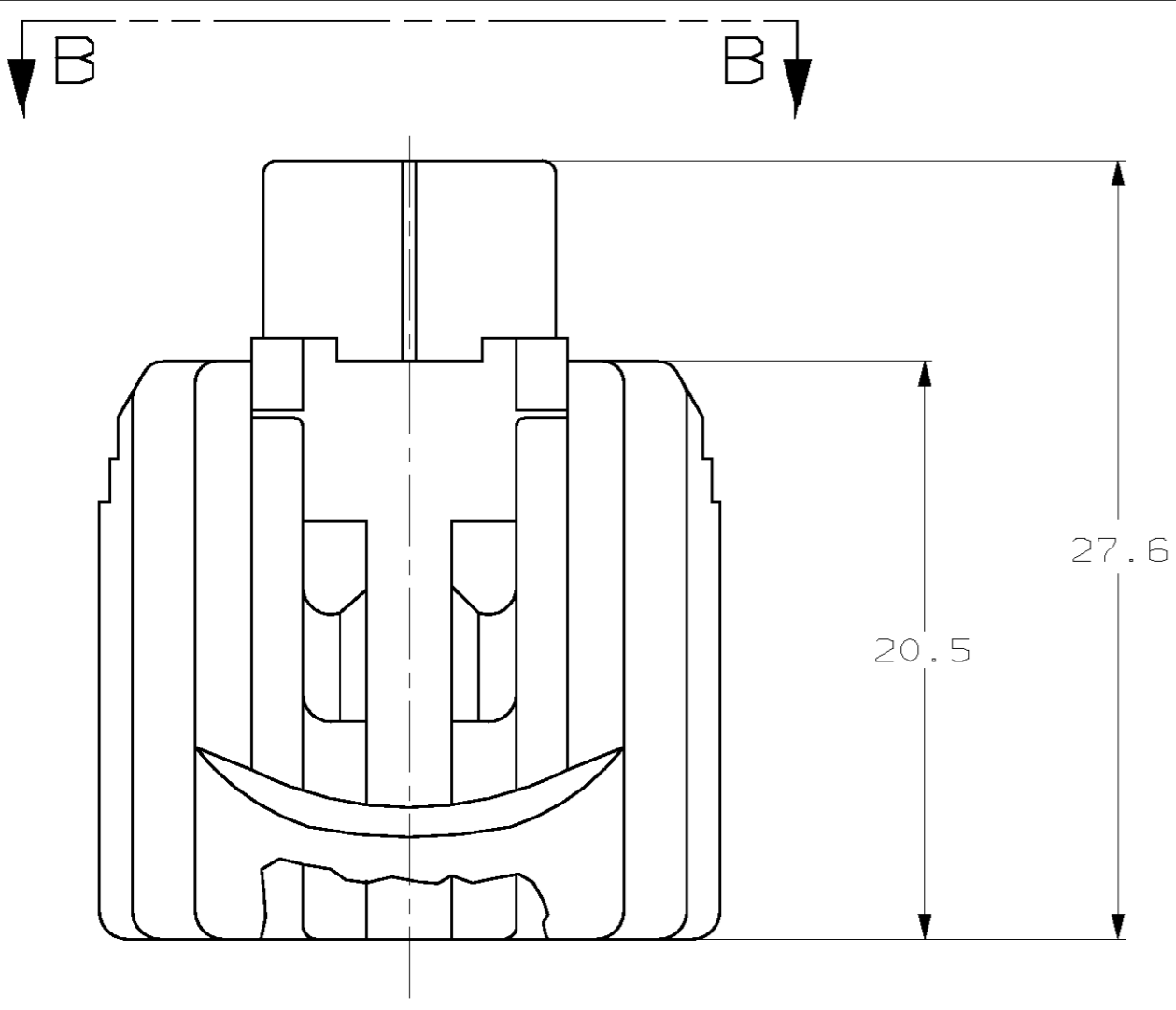


LOC	DIST	REVISIONS					
		P	LTR	DESCRIPTION	DATE	DWN	APVD
G	16			0 RELEASED, WAS 92-4072-2313-4	-	-	-
				A REV PER ECN 0720-0290-94	10/6/94	KL	JK
				B REV PER ECN 0720-0446-94	12/16/94	KW	JK
				C REV PER ECN 0720-0702-95	8/9/95	KL	JK
				D REV PER ECN 0K50-0003-96	08/13/96	KW	JK
				E REV PER EC# 0K40-0140-00	7-10-00	PC	GI



SECTION A-A

KEYING TYPE D

<small>THIS DRAWING IS A CONTROLLED DOCUMENT FOR AMP INCORPORATED. IT IS SUBJECT TO CHANGE AND THE CONTROLLING ENGINEERING ORGANIZATION SHOULD BE CONTACTED FOR THE LATEST REVISION.</small>		DWN	KD LYTLE	3/23/94
<small>TOLERANCES UNLESS OTHERWISE SPECIFIED:</small>		CHK	JP KUNKLE	4/19/94
<small>APVD</small>		NAME		
<small>PRODUCT SPEC</small>		-		
<small>APPLICATION SPEC</small>		-		
<small>WEIGHT</small>		-		
<small>CUSTOMER DRAWING</small>		-		

GRAY	184006-2
GREEN	184006-1
PLUG COLOR	PART NO
AMP AMP Incorporated Harrisburg, PA 17105-3608	
1 X 2 PLG ASY KEY D-C3	
SIZE	CAGE CODE
A2	00779
DRAWING NO	C-184006
SCALE	SHEET
4:1	1 OF 1
REV	E