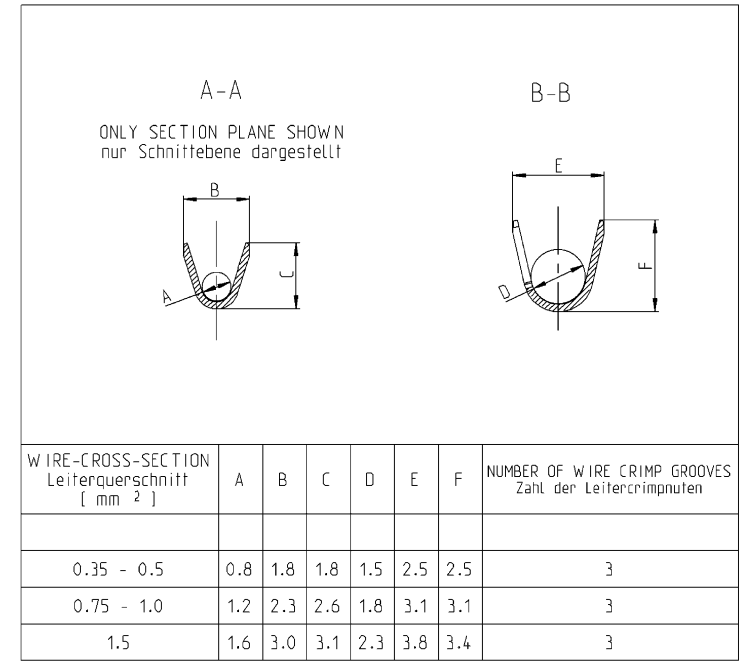
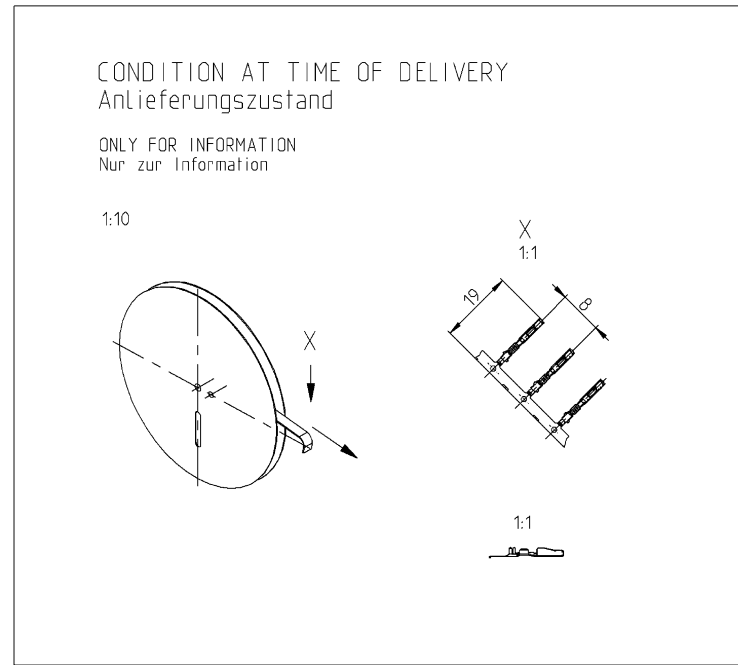


© THIS DRAWING IS THE EXCLUSIVE PROPERTY OF BOSCH. IT MAY NOT BE REPRODUCED OR TRANSMITTED IN ANY FORM OR BY ANY MEANS, ELECTRONIC OR MECHANICAL, INCLUDING PHOTOCOPYING, RECORDING, OR BY ANY INFORMATION STORAGE AND RETRIEVAL SYSTEM.

Alle Rechte bei Robert Bosch GmbH, auch nach den Erfindungs, wie Kopier- und Weiterverbreitung, etc.

| ORDER-NUMBER Bestell-Nummer | WIRE-CROSS-SECTION Leiterquerschnitt [mm ²] | DIAMETER OF INSULATION Isolationsdurchmesser [mm] | COATING Oberflaeche | REMARKS Bemerkungen |
|--------------------------------|--|---|--|------------------------|
| 1 928 498 673 | 0.35 - 0.5 | ∅1.2 - ∅1.6(FLR) | CONTACT AREA GOLD-PLATED Kontaktzone vergoldet | |
| 1 928 498 674 | 0.75 - 1.0 | ∅1.7 - ∅2.1(FLR) | CONTACT AREA GOLD-PLATED Kontaktzone vergoldet | |
| 1 928 498 675 | 1.5 | ∅2.2 - ∅2.4(FLR) | CONTACT AREA GOLD-PLATED Kontaktzone vergoldet | |
| 1 928 498 676 | 0.35 - 0.5 | ∅1.2 - ∅1.6(FLR) | CONTACT AREA SILVER-PLATED Kontaktzone versilbert | |
| 1 928 498 677 | 0.75 - 1.0 | ∅1.7 - ∅2.1(FLR) | CONTACT AREA SILVER-PLATED Kontaktzone versilbert | |
| 1 928 498 678 | 1.5 | ∅2.2 - ∅2.4(FLR) | CONTACT AREA SILVER-PLATED Kontaktzone versilbert | |
| 1 928 498 679 | 0.35 - 0.5 | ∅1.2 - ∅1.6(FLR) | CONTACT AREA TIN-PLATED Kontaktzone verzinkt | |
| 1 928 498 680 | 0.75 - 1.0 | ∅1.7 - ∅2.1(FLR) | CONTACT AREA TIN-PLATED Kontaktzone verzinkt | |
| ⑨ 1 928 498 681 | 1.5 | ∅2.2 - ∅2.4(FLR) | CONTACT AREA TIN-PLATED Kontaktzone verzinkt | |



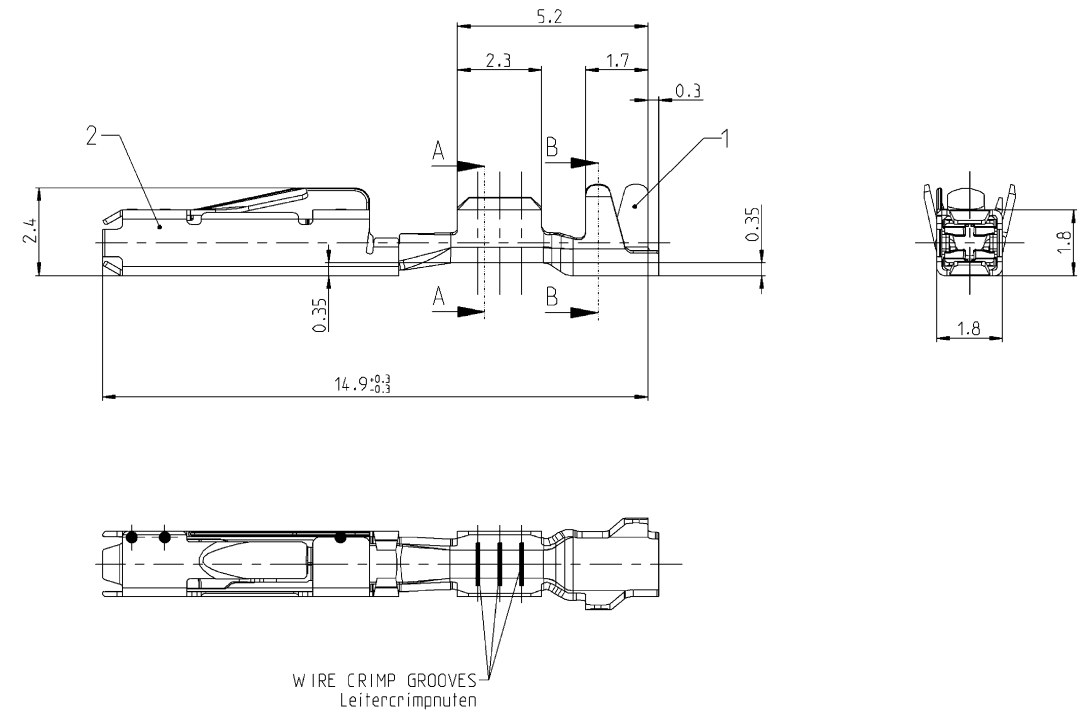
| | | | |
|------------|-----------------------------|----------------------------|-------------------------|
| 2 | STEEL BOX Ueberfeder | X10CrNi18-8 0.15±0.01 dick | BRIGHT blank |
| 1 | CONTACT PART Kontaktteil | CuCrAgFeTiSi 0.2±0.01 dick | SEE TABLE s. Tabelle |
| NO. Nr. | DESIGNATION Bezeichnung | MATERIAL Material | COATING Oberflaeche |

ACCESSORY TECHNICAL CUSTOMER INFORMATION:
zugehoerige technische Kundenunterlagen:

TECHNICAL CUSTOMER INFORMATION:
Technische Kundenunterlagen: 1 928 A00 46T

PROCESSING SPECIFICATION
Verarbeitungsvorschrift fuer 1 928 A00 47M

GERMAN TEXT IS VALID !
Massgebend ist der deutsche Text !



| Documententyp / DOCUMENT TYPE | | Nicht tol. Masse NON TOLERANCED DIMENSIONS ± 0.2 mm, ± 2.5 ° | | ISO E | Massstab SCALE | 10:1 (1:1:1:10) | Gewicht WEIGHT |
|-------------------------------|--|--|--|--|-------------------|-----------------|-------------------|
| AGZ | | | | | 10:1 (1:1:1:10) | | |
| Angebots- zeichnung | | OFFER DRAWING | | | | | |
| Benennung / | | TITLE | | Buchsenkontakt Matrix 1.2 TERMINAL MATRIX 1.2 | | | |
| Gr. S. / | | Name / NAME | | DIN A1 | | | |
| VOLU / | | Datei / DATE | | 27.02.2007 | | | |
| ges. CKK / | | Ca / Tz | | 24.05.2007 | | | |
| ges. APP / | | Wn / Kh | | 15.03.2007 | | | |
| Original: GS-CP/ENGL | | | | | | | |
| 9 F1928L98681 | | Ca | | 25.05.2007 | | Wn | |
| 8 F1928L98680 | | Ca | | 24.05.2007 | | Wn | |
| Nr. / NO. | | Aenderung / CHANGE | | gez. / DWN. | | gueltig / VALID | |
| PE | | Ers.f. / REPLACES | | edition 07 | | 23.05.2007 | |
| | | Ers.f. / REPLACED BY | | | | | |
| | | Ausfuhrungsleitung N12A 011/1 beachten! | | | | | |

| Entwurfs - Zeichnung DRAFT DRAWING NUMBER | Bestell - Nummer ORDER NUMBER | Typ TYPE |
|--|----------------------------------|-------------|
| | SEE TABLE / siehe Tabelle | |

OBSERVE INSTRUCTIONS FOR FILLING OUT