

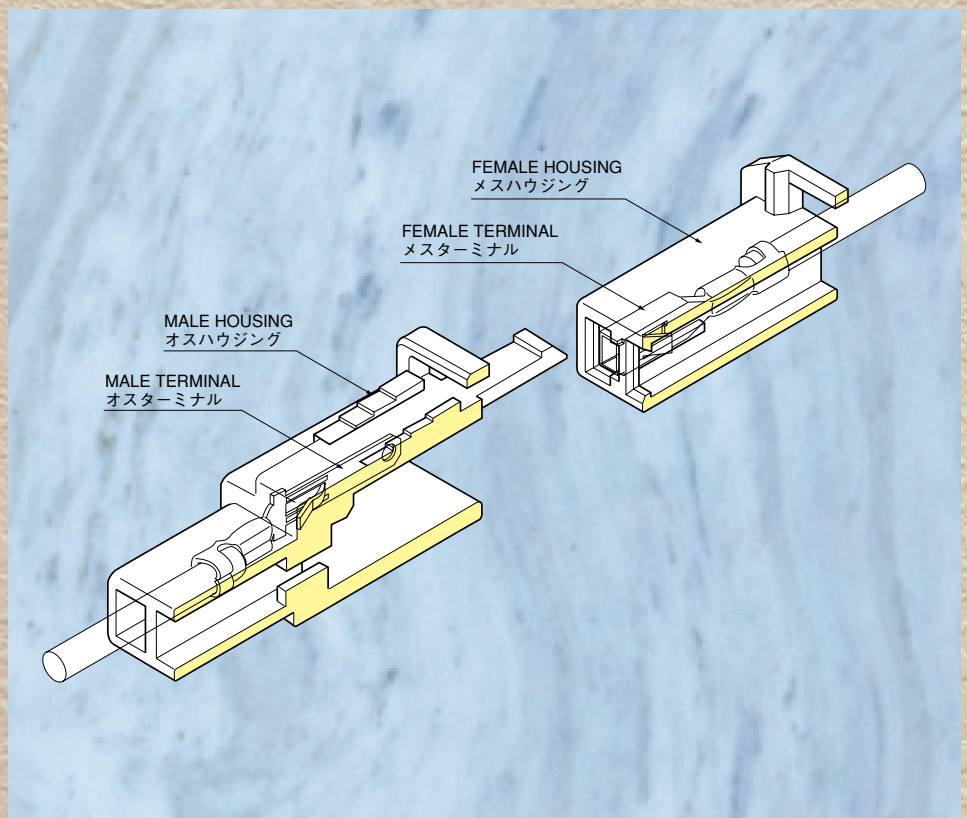
N-ML

New Miniature Lock type



従来のMLコネクタと互換性がありスライド式ロックの採用により接続の信頼性、作業性を一段と向上させたコネクタです。

Compatible with previous ML connectors, connection reliability and operability are greatly improved through employment of a sliding lock.



N-ML CONNECTOR

New Miniature Lock type

特長

N-MLコネクタは、タブサイズ2.8mmの端子を採用した小型、軽量の高性能な標準回路用コネクタです。

最大極数9を有し、従来のMLコネクタとの互換性があり、スライド方式のロックの採用により接続の信頼性、作業性を一段と向上させたコネクタです。

CHARACTERISTICS

The N-ML connector employs 2.8mm tab size terminals and is a high performance small-sized light-weight connector for use with standard circuits.

With maximum 9 poles, and compatible with previous ML connectors, the N-ML connector's connection reliability and operability have been greatly improved through employment of a sliding lock.

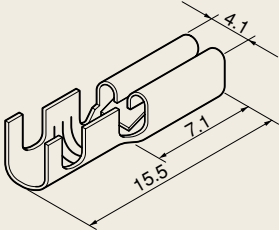
性能

- 1) 適用電線
AV, AVS, CAVS 0.5~1.25 mm²
(A.W.G.#20~#16)
- 2)ハウジング強度
78.4 N以上
- 3) 許容電流
10 A (AV 1.25 mm², 5/9 極通電時)
- 4) 電圧降下
初期 3 mV/A以下
耐久後 6 mV/A以下
- 5) 耐電圧
AC 1,000 V/分

SPECIFICATIONS

- 1) **Applicable wire types :**
AV, AVS, CAVS 0.5~1.25mm²
(A.W.G.#20~#16)
- 2) **Housing lock Strength :**
At least 78.4N
- 3) **Permissible current :**
10A (AV 1.25mm², when 5/9 poles
conducting)
- 4) **Voltage Drops :**
Initial 3mV/A (max)
After durability 6mV/A (max)
- 5) **Withstand Voltage :**
AC 1,000V/min

メス端子 FEMALE TERMINAL

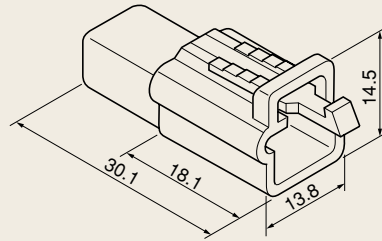
適用電線 WIRE SIZE	端子名称 TERMINAL NAME	形状 FORM	部品番号 PART No.
AV, AVS, AVf, CAVS 0.5~1.25mm ²	N-ML-S		MT015-06100

TERMINAL

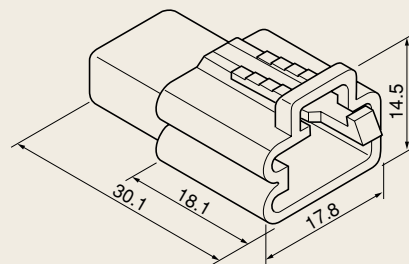
オスハウジング MALE HOUSING

オスハウジング MALE HOUSING

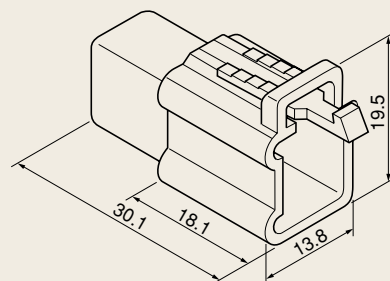
2P	N-ML02M-W	PB161-02010
	N-ML02M-B	PB161-02020
	N-ML02M-G	PB161-02030
	N-ML02M-L	PB161-02040
	N-ML02M-BR	PB161-02050
	N-ML02M-R	PB161-02060
	N-ML02M-Y	PB161-02070



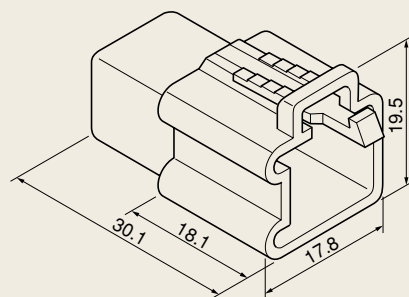
3P	N-ML03M-W	PB161-03010
	N-ML03M-B	PB161-03020
	N-ML03M-G	PB161-03030
	N-ML03M-L	PB161-03040
	N-ML03M-BR	PB161-03050
	N-ML03M-R	PB161-03060
	N-ML03M-Y	PB161-03070



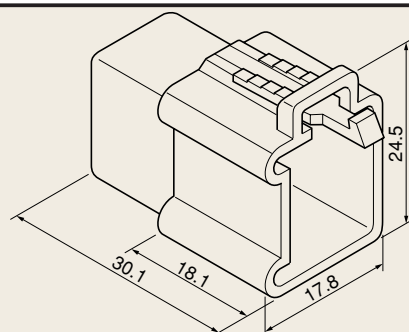
4P	N-ML04M-W	PB161-04010
	N-ML04M-B	PB161-04020
	N-ML04M-G	PB161-04030
	N-ML04M-L	PB161-04040
	N-ML04M-BR	PB161-04050
	N-ML04M-R	PB161-04060
	N-ML04M-Y	PB161-04070



6P	N-ML06M-W	PB161-06010
	N-ML06M-B	PB161-06020
	N-ML06M-G	PB161-06030
	N-ML06M-L	PB161-06040
	N-ML06M-BR	PB161-06050
	N-ML06M-R	PB161-06060
	N-ML06M-Y	PB161-06070



9P	N-ML09M-W	PB161-09010
	N-ML09M-B	PB161-09020
	N-ML09M-G	PB161-09030
	N-ML09M-L	PB161-09040
	N-ML09M-BR	PB161-09050
	N-ML09M-R	PB161-09060
	N-ML09M-Y	PB161-09070

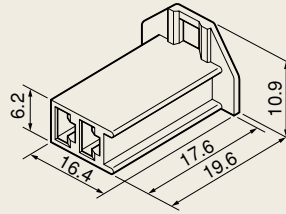


メスハウジング FEMALE HOUSING

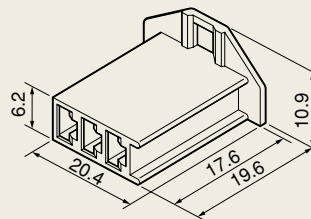
メスハウジング FEMALE HOUSING

2P

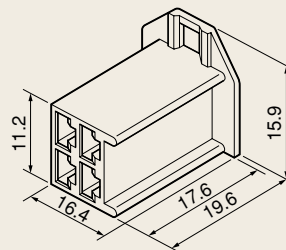
N-ML02F-W	PB165-02010
N-ML02F-B	PB165-02020
N-ML02F-G	PB165-02030
N-ML02F-L	PB165-02040
N-ML02F-BR	PB165-02050
N-ML02F-R	PB165-02060
N-ML02F-Y	PB165-02070

**3P**

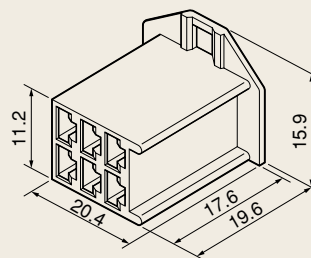
N-ML03F-W	PB165-03010
N-ML03F-B	PB165-03020
N-ML03F-G	PB165-03030
N-ML03F-L	PB165-03040
N-ML03F-BR	PB165-03050
N-ML03F-R	PB165-03060
N-ML03F-Y	PB165-03070

**4P**

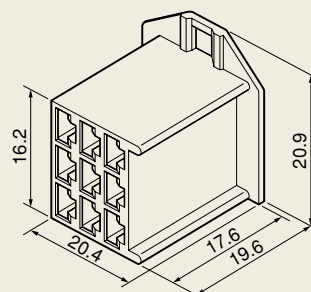
N-ML04F-W	PB165-04010
N-ML04F-B	PB165-04020
N-ML04F-G	PB165-04030
N-ML04F-L	PB165-04040
N-ML04F-BR	PB165-04050
N-ML04F-R	PB165-04060
N-ML04F-Y	PB165-04070

**6P**

N-ML06F-W	PB165-06010
N-ML06F-B	PB165-06020
N-ML06F-G	PB165-06030
N-ML06F-L	PB165-06040
N-ML06F-BR	PB165-06050
N-ML06F-R	PB165-06060
N-ML06F-Y	PB165-06070

**9P**

N-ML09F-W	PB165-09010
N-ML09F-B	PB165-09020
N-ML09F-G	PB165-09030
N-ML09F-L	PB165-09040
N-ML09F-BR	PB165-09050
N-ML09F-R	PB165-09060
N-ML09F-Y	PB165-09070



HOUSING

