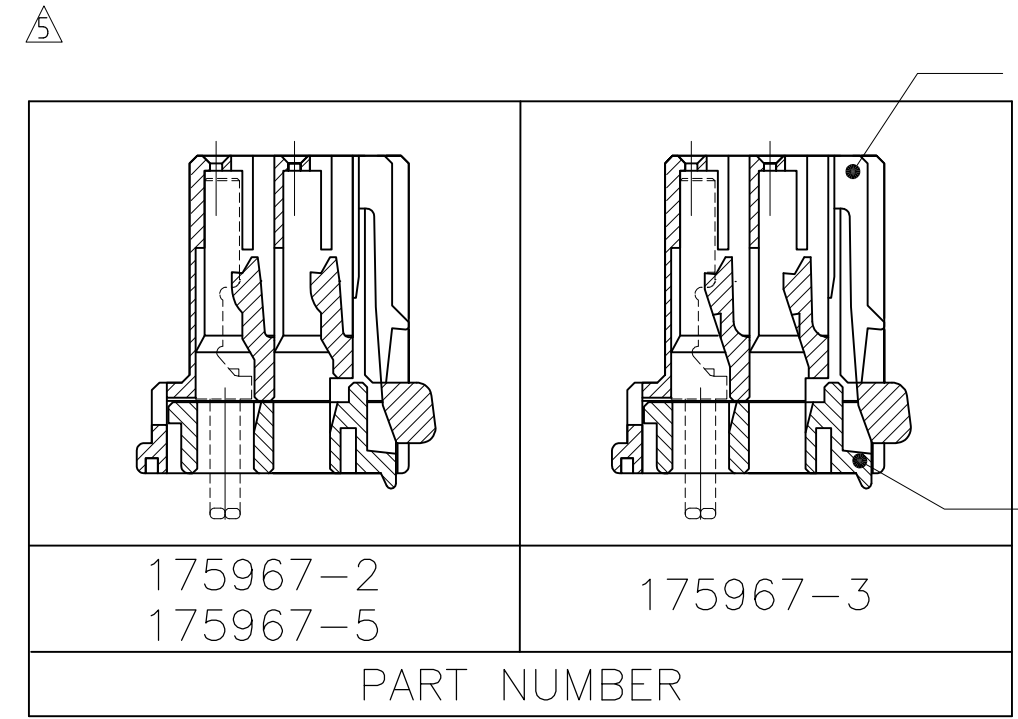
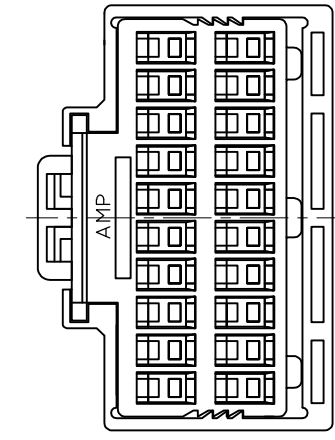
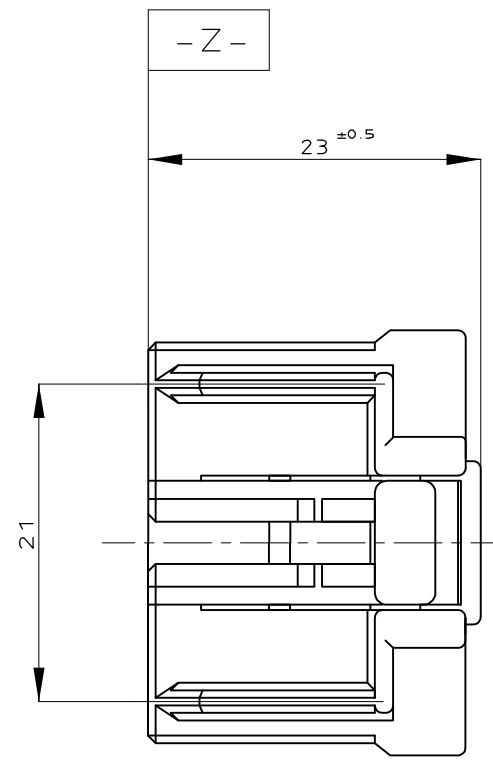
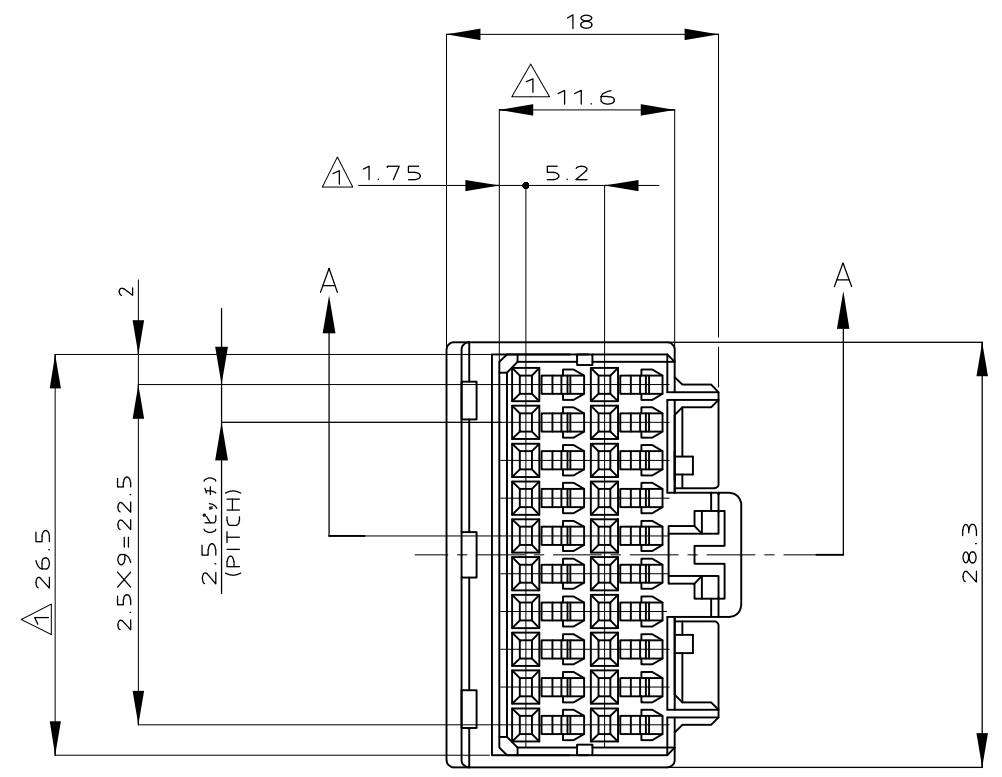
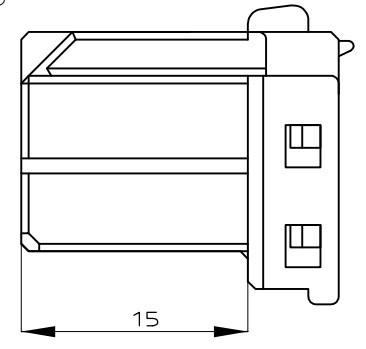


THIS DRAWING IS UNPUBLISHED. RELEASED FOR PUBLICATION
 © COPYRIGHT - By - ALL RIGHTS RESERVED.

LOC	DIST	REVISIONS 変更					
J	-	P	LTR	DESCRIPTION	DATE	DWN	APVD
		B1		REVISED PER ECO-11-005140	28MAR11	RK	HMR



PLUG HOUSING



DOUBLE LOCK PLATE

175967-2
175967-5

175967-3

PART NUMBER

A-A

- ① MUST BE KEPT BETWEEN -Z- AND 2mm
- ② THE MATING CAP HSG. PART NUMBER; 175975,174912,175977
- ③ APPLIED CONTACT P/N; 173681
- ④ APPLICABLE PRODUCT SPEC NO.; 108-5281
- ⑤ THIS PLUG HOUSING HAVE TWO KINDS OF LANCE TYPE

- ① -Z- 面より2mmの範囲で測定。
- ② 嵌合相手ハウジング型番：175975,174912,175977
- ③ 内装するリセプタクルコンタクト型番：173681
- ④ 適用製品規格番号：108-5281
- ⑤ 本プラグハウジングは2タイプのランス形状がある

BLUE	175967-5
BLACK	175967-3
BLACK	175967-2
COLOR	PART NUMBER

TOLERANCE UNLESS OTHERWISE SPECIFIED: 一般公差

0 < x ≤ 10	: ±0.2
10 < x ≤ 30	: ±0.25
30 < x ≤ 100	: ±0.3
ANGLE ; 角度	: ±3°

THIS DRAWING IS A CONTROLLED DOCUMENT.

DWN K. SUZUKI	24OCT89	STE TE Connectivity
CHK Y. MATSUSAKA	19DEC89	
APVD M. NOGUCHI	26DEC89	
NAME M. NOGUCHI	26DEC89	
DIMENSIONS: 単位: 耗 mm	TOLERANCES UNLESS OTHERWISE SPECIFIED: 一般公差	0 PLC ± -
1 PLC ± -		2 PLC ± -
2 PLC ± -		3 PLC ± -
3 PLC ± -		4 PLC ± -
4 PLC ± -		ANGLES ± -
MATERIAL 材料 PBT	FINISH 仕上 COLOR HOUSING; SEE TABLE PLATE; NATURAL	PRODUCT SPEC 製品規格 108-5281
		APPLICATION SPEC 取付適用規格
		WEIGHT 4.9 g
		SIZE A3
		CAGE CODE 00779
		DRAWING NO C-175967
		RESTRICTED TO -
CUSTOMER DRAWING		SCALE 尺度 2:1
		SHEET 1 OF 1
		REV B1