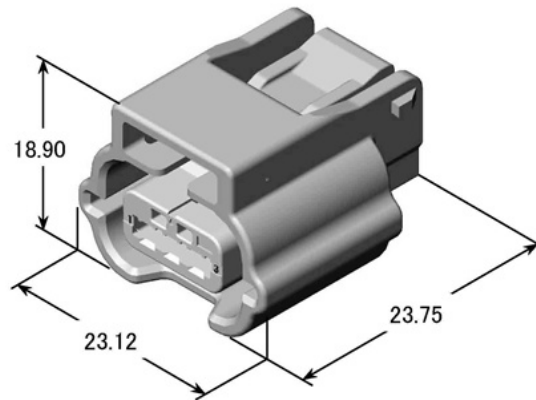


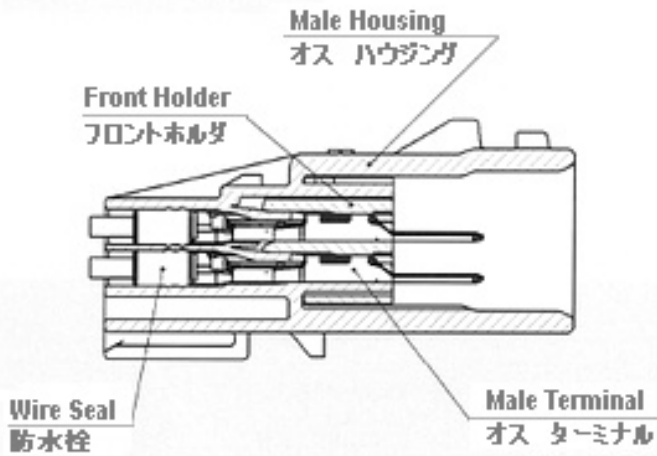
RH Connectors Housing 3P Female



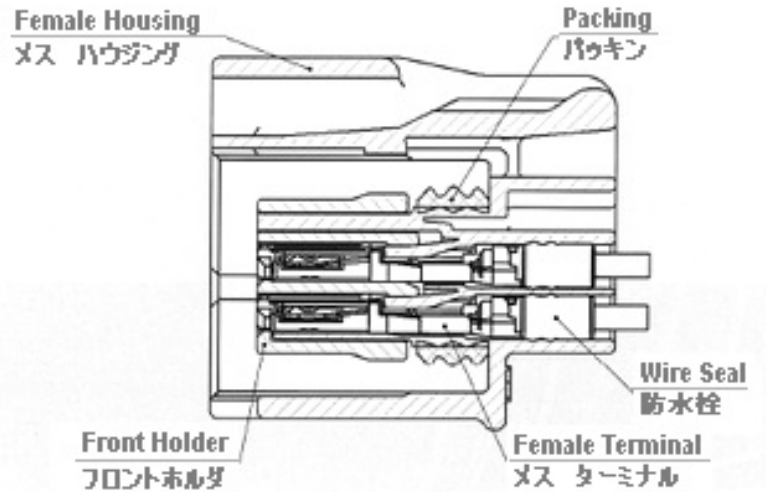
(Unit:mm)

Configuration diagram

Male Connector オス コネクタ



Female Connector メス コネクタ



Specifications

Classified Parts	Housing
Family	*2 RH Connectors
Type	-
Yazaki Part Number	7283-8852-30
Connection Type	Wire to Wire Wire to Board Wire to Device
Unsealed/Seald	Sealed
Male/Female	Female
Number of Poles	3
Tab Width mm(inches)	0.64(025)
Material	PBT
Plating	-
Color	Black
Rating	-
Mating Part Numbers	7282-8852-30
Product Specification No.	YPES-11-04-080
Instruction Manual No.	YPES-15-501

Product Specification

Allowable Current(Ref.)	6A(10P)
Low Level Contact Resistance	8milli ohm Max.(Initial)
Insulation Resistance	100Megohm Min.(at 500VDC)
Withstanding Voltage	1000V AC (1min.)
Temperature Range	*9 -40 to 125deg.C

Application List of Installable Components

Terminals	Wire Seals	Holders
7116-4415-02	7158-3165-90	-
7116-4416-02	7158-3166-60	
7116-4417-02	7158-3167-80	
-	7158-3168-80	

*3)Heavy Duty Type, *4)Single Pole Type, *5)Material NBR, *6)5mm pitch, *7)5.5mm pitch

*8)For installable components for the hybrid series, refer to the related component table.

*9)Operating Temperature Range includes temperature rise caused by current flow.

«Note for Purchase»

This brochure includes information on the parts developed jointly with particular customer(s) and approval from the customer(s) may be required for sales.

We would appreciate it if you could contact us prior to purchase.