



Cembre

MAKING THE RIGHT CONNECTIONS

PKE409

4mm² Polypropylene insulated end sleeve (bootlace ferrule) 9mm pin length orange



General Information

Material Code	8020070
---------------	---------

Weight per Piece	0.26
------------------	------

Weight Unit of Measure	G
------------------------	---

Commodity Code (Export Code)	85369010
------------------------------	----------

Country of Origin	DE
-------------------	----

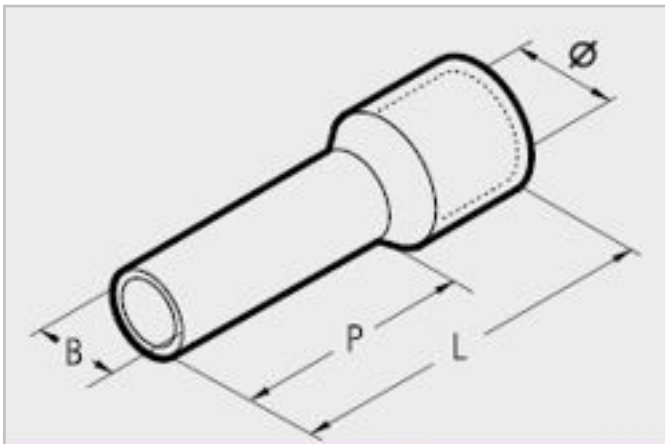
Dunton Park, Kingsbury Road
Curdworth, Sutton Coldfield
West Midlands

T: 01675 470440 E: sales@cembre.co.uk W: <http://www.cembre.co.uk>

Technical

Conductor Size Min (mm²)	4
Conductor Size Max (mm²)	4
Conductor Type	Copper
Terminal Type	Insulated end sleeve
Pin Length (mm)	9
Max. Voltage Rating (kV)	1
Inspection Hole	N/A
Suitable for Indoor Use? (no exposure to water or moisture)	Yes
Suitable for Outdoor Use? (exposure to water and moisture)	No
Insulated?	Yes
Insulation Material	Polypropylene
Insulation Colour	Orange
Halogen Free?	Yes
Flammability Rating (UL94)	V2
Max. Operating Temperature (°C)	105
Surge Operating Temperature (°C)	N/A
Min. Operating Temperature (°C)	-20
UL Listed?	No

Datasheet generated from <https://onetimepim.com> last updated Wednesday, December 22, 2021 4:34:28 PM



Ref.	Dimensions mm			
	Ø	B	P	L
PKE 308	1,9	1,1	8,0	12,4
PKE 508	2,6	1,3	8,0	14,0
PKE 7508	3,4	1,6	8,2	14,6
PKE 108	3,4	1,8	8,2	14,6
PKE 1508	3,8	2,1	8,2	14,6
PKE 1518	3,8	2,1	18,0	24,4
PKE 2508	4,4	2,6	8,2	15,2
PKE 2518	4,4	2,6	18,0	25,0
PKE 409	4,8	3,2	9,0	16,0
PKE 418	4,8	3,2	18,0	25,0
PKE 612	5,8	3,9	12,0	20,0
PKE 618	5,8	3,9	18,0	26,0
PKE 1012	7,4	4,8	12,0	21,5
PKE 1018	7,4	4,8	18,0	27,5
PKE 1612	9,3	5,9	12,0	22,7
PKE 1618	9,3	5,9	18,0	28,6
PKE 25016	10,0	7,9	16,0	29,0
PKE 25022	10,0	7,9	22,0	35,0