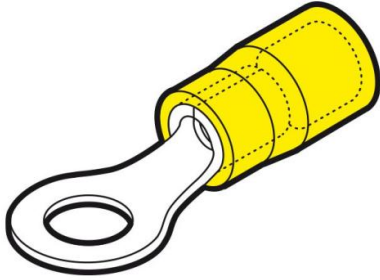




C e m b r e
MAKING THE RIGHT CONNECTIONS

GF-M10

4mm²-6mm² PVC insulated ring terminal M10 stud yellow



General Information

Material Code	2054250
Weight per Piece	2
Weight Unit of Measure	G
Commodity Code (Export Code)	85369010
Country of Origin	IT

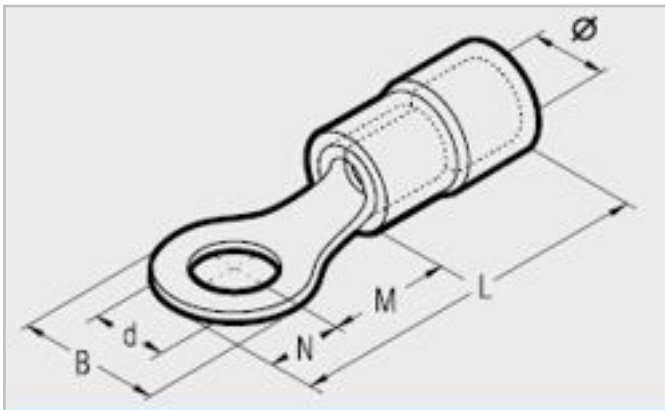
Dunton Park, Kingsbury Road
Curdworth, Sutton Coldfield
West Midlands

T: 01675 470440 E: sales@cembre.co.uk W: <http://www.cembre.co.uk>

Technical

Conductor Size Min (mm²)	4
Conductor Size Max (mm²)	6
Conductor Type	Copper
Terminal Type	Insulated ring
Palm Type	Straight
Stud Size	M10
Max. Voltage Rating (kV)	0.6
Inspection Hole	N/A
Suitable for Indoor Use? (no exposure to water or moisture)	Yes
Suitable for Outdoor Use? (exposure to water and moisture)	No
Insulated?	Partially
Insulation Material	PVC
Insulation Colour	Yellow
Halogen Free?	No
Flammability Rating (UL94)	V0
Max. Operating Temperature (°C)	80
Surge Operating Temperature (°C)	90
Min. Operating Temperature (°C)	-20
UL Listed?	Yes
UL Listing File Number	E125401

Datasheet generated from <https://onetimepim.com> last updated Wednesday, December 22, 2021 4:33:08 PM



Ø Stud mm	Ref.	Dimensions mm					
		Ø	B	M	N	L	d
3	GF-M 3	6,7	8,0	8,1	4,0	26,3	3,2
3,5	GF-M 3.5	6,7	8,0	8,1	4,0	26,3	3,7
4	GF-M 4	6,7	9,0	8,1	4,5	26,8	4,3
5	GF-M 5	6,7	9,0	8,1	4,5	26,8	5,3
6	GF-M 6	6,7	11,0	11,1	5,5	30,8	6,4
6	GF-M 6/1	6,7	11,0	8,1	5,5	27,8	6,4
7	GF-M 7	6,7	11,0	11,1	5,5	30,8	7,2
8	GF-M 8	6,7	13,6	12,1	6,8	33,1	8,4
8	*GF-M 8/1*	6,7	11,0	8,1	5,5	27,8	8,4
10	GF-M 10	6,7	13,6	12,1	6,8	33,1	10,5
10	GF-M 10/1	6,7	15,5	13,8	7,7	35,8	10,5
12	GF-M 12	6,7	19,0	15,1	9,5	38,8	13,0
14	GF-M 14	6,7	21,0	16,1	10,5	40,8	15,0
16	GF-M 16	6,7	24,0	17,1	12,0	43,3	17,0

Dunton Park, Kingsbury Road
 Curdworth, Sutton Coldfield
 West Midlands

T: 01675 470440 E: sales@cembre.co.uk W: <http://www.cembre.co.uk>