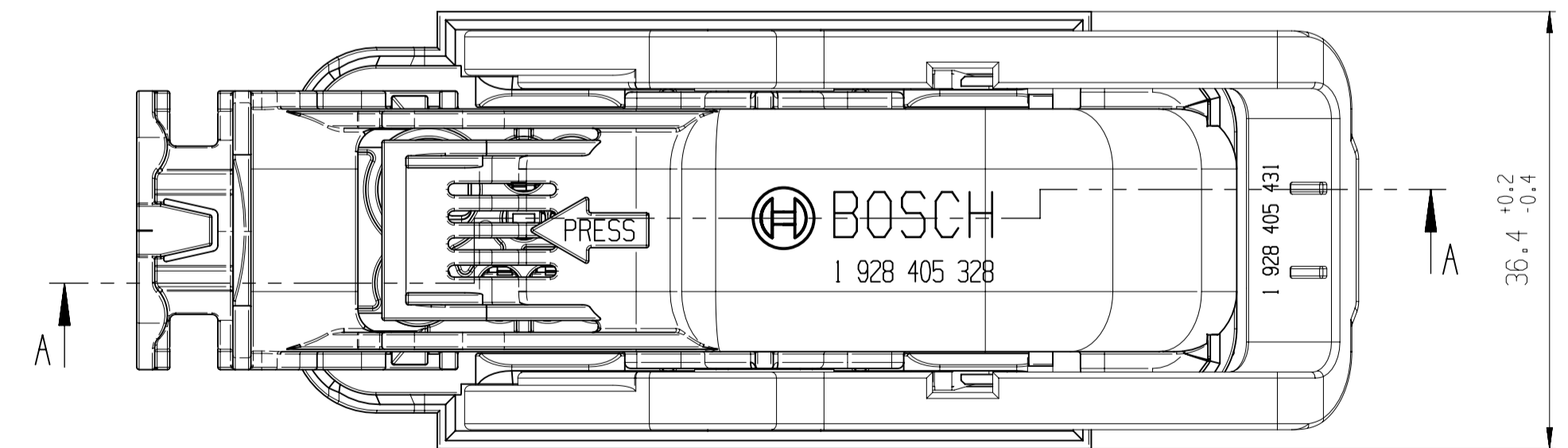
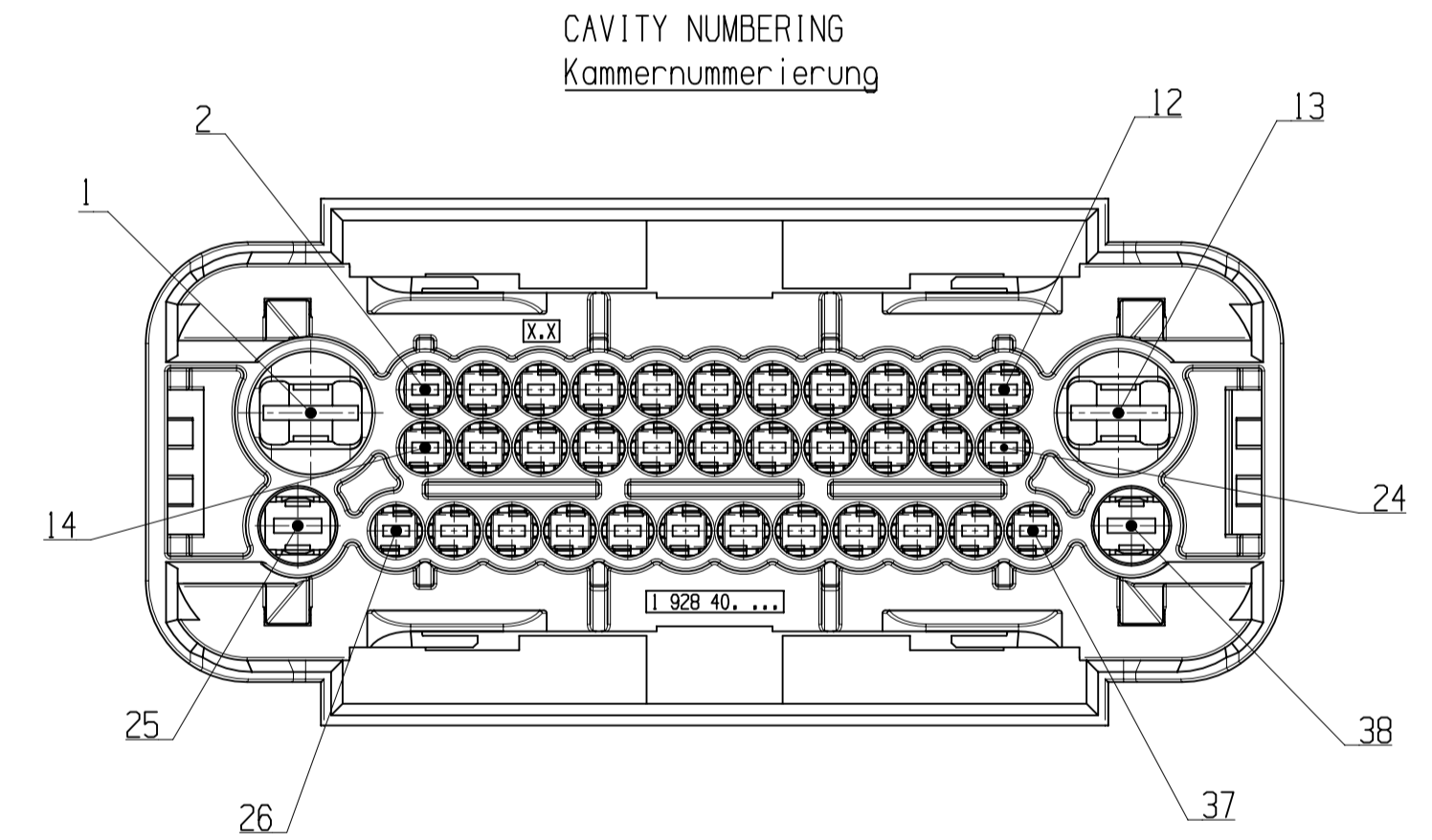
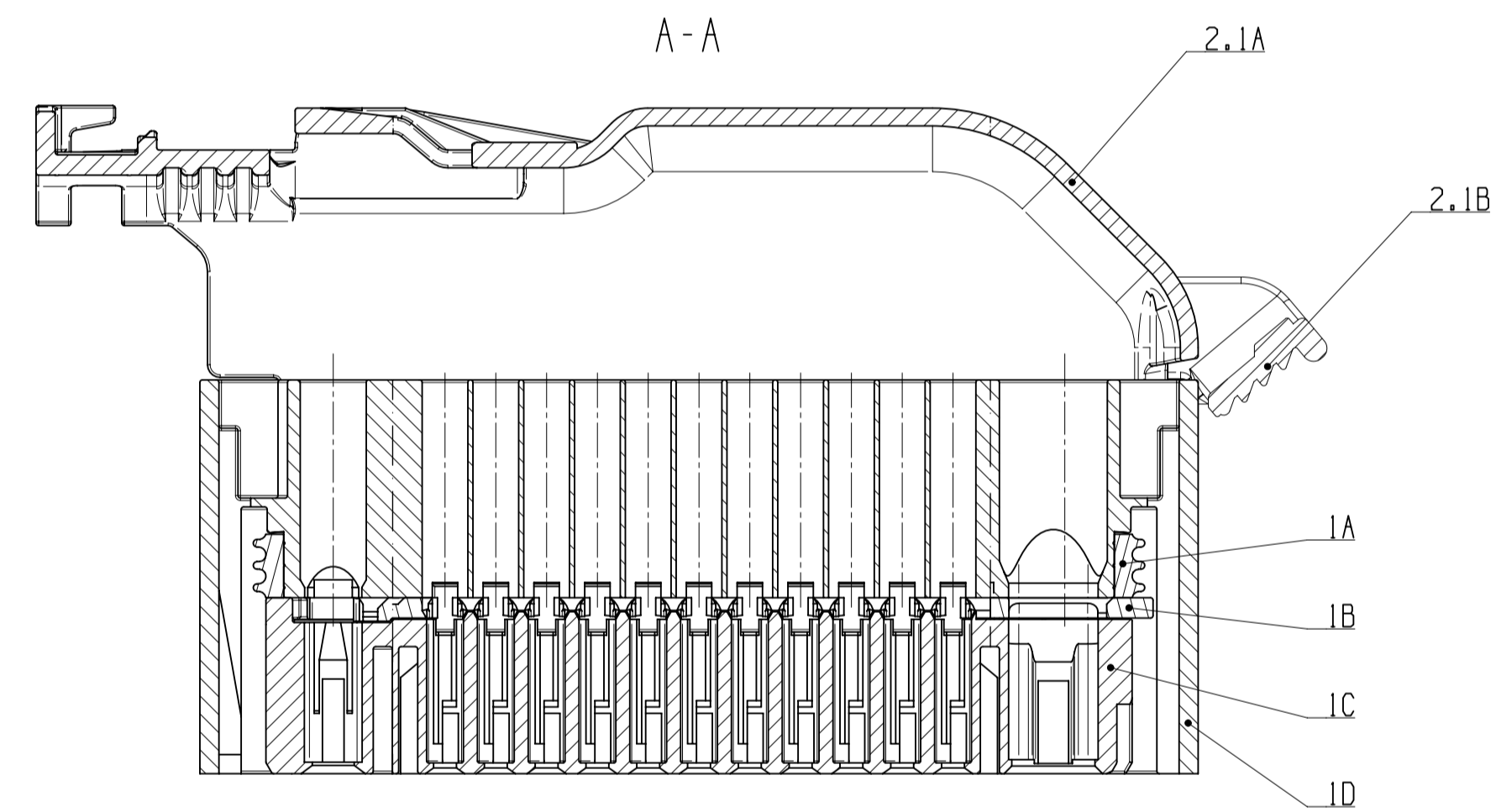
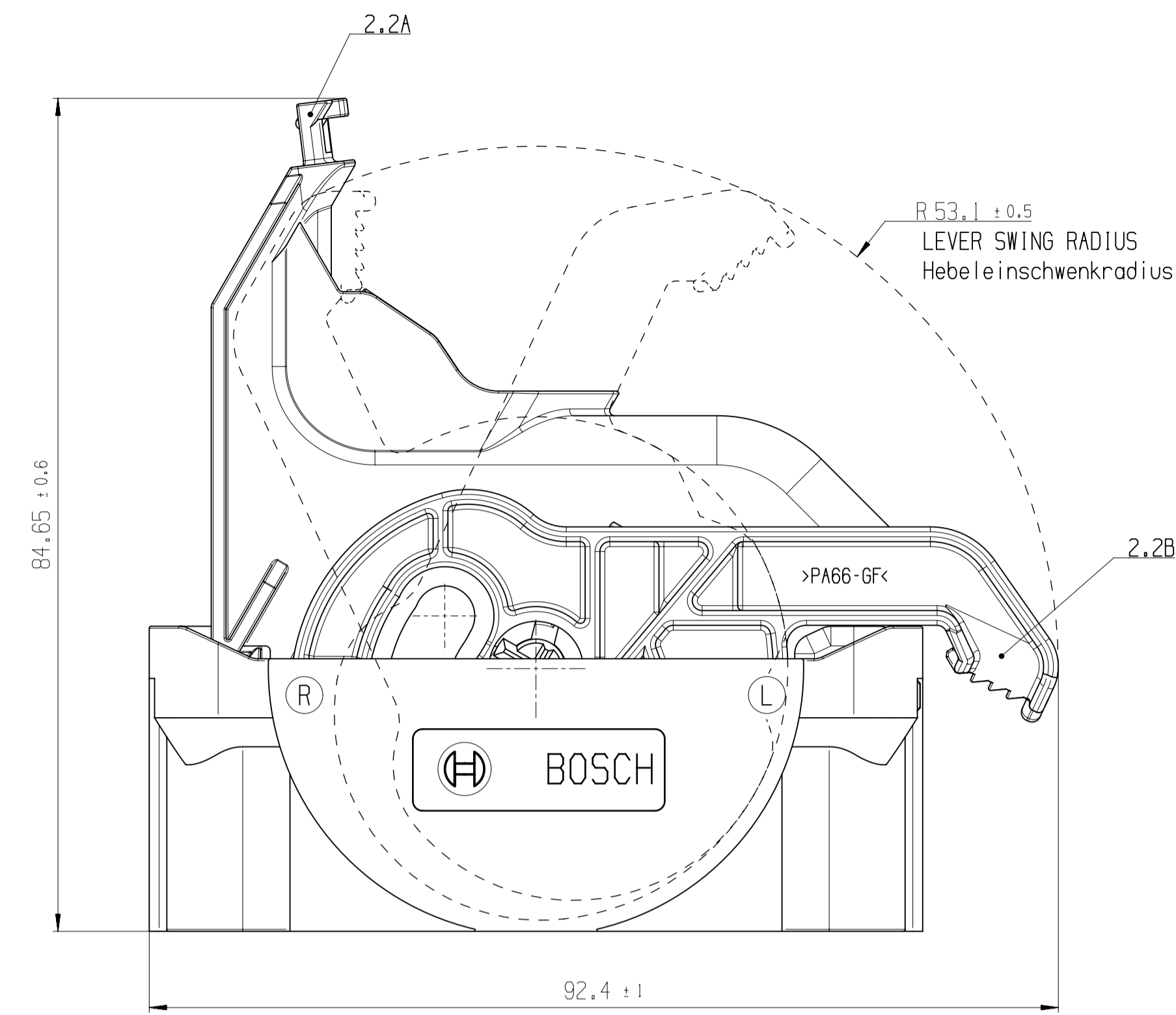
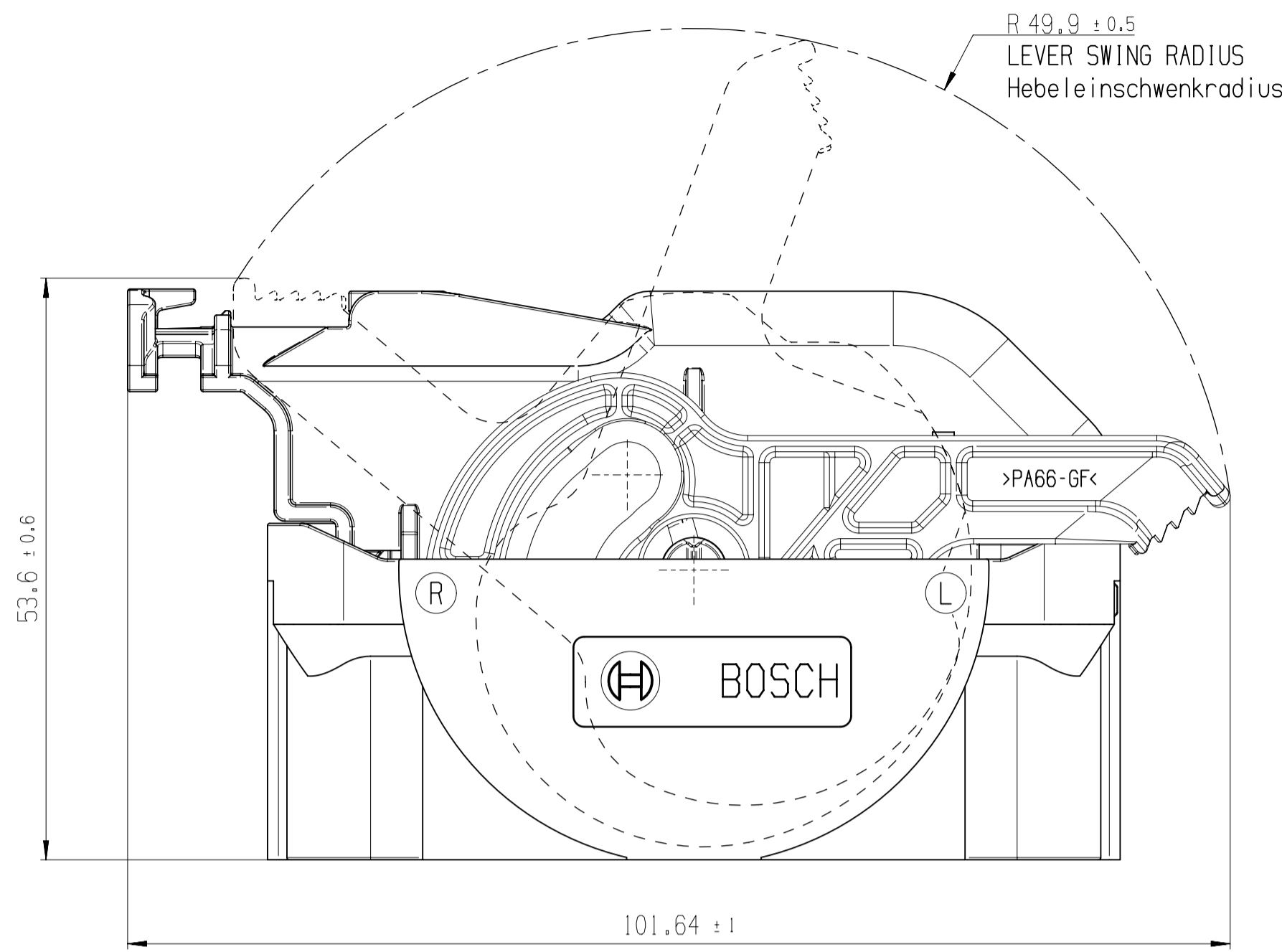
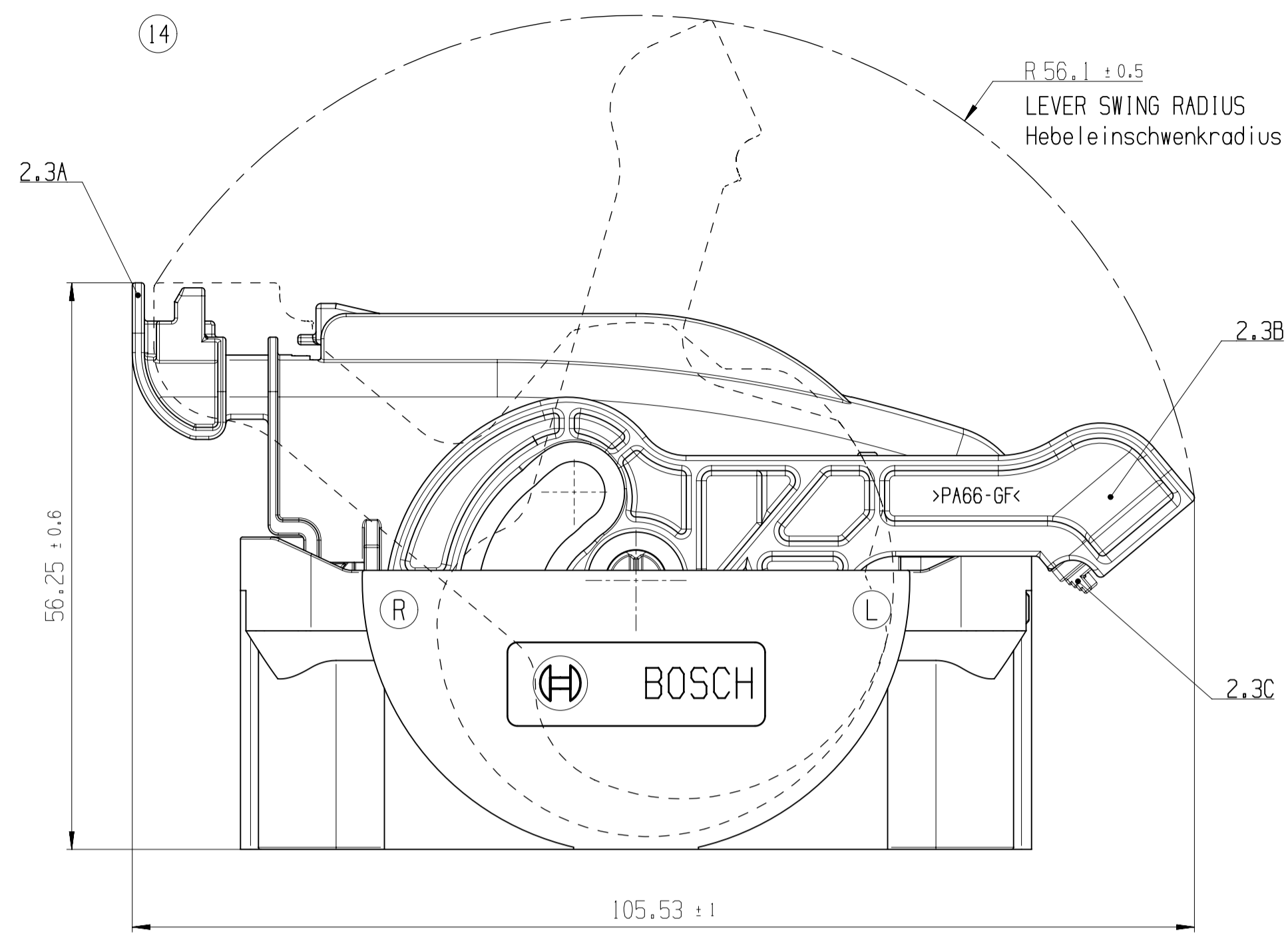
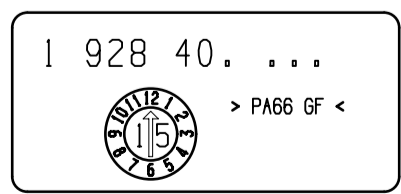


© Robert Bosch GmbH. All rights reserved, also regarding the selection of the drawing content. In the event of any application for industrial property rights, the manufacturer shall be held liable.



2.3A	COVER Deckel	PA66 GF30	BLACK Schwarz	⑭
2.3B	LEVER Hebel	PA66 GF30	BLACK Schwarz	⑭
2.3C	CPA CPA	PA66 GF30	RED rot	⑭
2.2A	COVER Deckel	PA66 GF30	BLACK Schwarz	
2.2B	LEVER Hebel	PA66 GF30	BLACK Schwarz	
2.1A	COVER Deckel	PA66 GF30	BLACK Schwarz	
2.1B	LEVER Hebel	PA66 GF30	BLACK Schwarz	
1A	INTERFACE SEAL Radialdichtung	LSR 30 SHORE	ORANGE Orange	
1B	SECONDARY LOCKING Sekundaerverriegelung	PA66 GF50	BLACK Lila	
1C	CONTACT HOUSING LOWER PART Kontakttraegerunterteil	PA66 MK40	BEIGE Beige	
1D	CONTACT HOUSING UPPER PART Kontakttraegeroberterteil	PA66 GF30	BLACK Schwarz	
ITEM Pos.	DESIGNATION Benennung	MATERIAL Werkstoff	COLOR Farbe	



BACK SIDE:
 VARIOUS VERSIONS PERMITTED
 Ruckseite:
 Unterschiedliche Ausfuehrungen zulassung

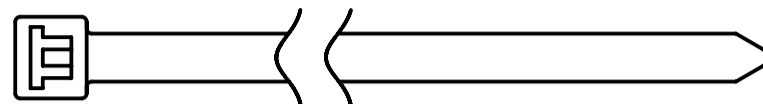
FIXATION OF THE WIRING HARNESS ON
 THE VIBRATION LEVEL OF THE CONTROL UNIT,
 AT THE MAX. OF 100 mm AFTER CABLE EXIT.
 Fixierung des Kabelbaums auf dem
 Schwingungsniveau des Steuergeraets,nach
 max. 100 mm hinter dem Kabelabgang

THE WIRING HARNESS HAS TO BE TAPED
 IN THE TRANSITION AREA TO ACCESSORY PARTS
 TO PREVENT THE WIRES FROM DAMAGE.
 Der Kabelbaum ist im Uebergangsbereich
 zu Zubehoerteilen zu bandagieren, um
 ein Beschaedigen der Leitungen zu verhindern.

general tolerances for Allgemeintoleranzen fuer lin. dim./L. Masse radii/Radien angles/Winkel	±0,5mm	±0,5mm	±5°
all linear dimensions in/ Alle Längenmasse in	mm		
drawing standard/ Zeichnungsstandard	ISO Standard		
confidential/Vertraulich			

141 F02BZ8665	20180125	vbd/skr	wdm/3ba	kat/lalc	2130 GS-AM/ENC	NX MIGRATION	
13	REVISED	20150526	abl4kor	sit4kor	kat/lalc	2130 GS-AM/ENC	
12	REVISED	20140225	cht4kor	ria4kor	2130 GS-AM/ENC		
01	NEW EDITION	20071112	Dn	Lz	Lz	2130 GS-AM/ENC	
Ind.	Change/Änd.	YYYYMMDD	Drawn/Gez.	Checked/Gepr.	Released/Freige.	BWN	
Lang./Spr.	Syst.	Night./Nev.	PLUG-IN CONNECTOR STECHEVERBINDUNG				38-WAY 38-polig
ent./de	UG	Scale/ Maßstab	BOSCH				1 / 4
MNR	2:1	OFFER DRAWING ANGEBOTSZEICHN.	AGZ				1 928 A00 287-006
			Repl. For				DP/10 Ind. Fomat 14 A1

PARTS TO BE USED Zu verwendende Teile			
ITEM Pos.	DESIGNATION Benennung	ORDER NUMBER Bestellnummer	SUPPLIER Lieferant
⑭ 2.3	COVER UNIT, CABEL EXIT FLAT WITH CPA Deckeleinheit, Kabelabgang gerade mit CPA	1 928 406 062	BOSCH GS-AM/SCO
2.2	COVER UNIT, CABLE EXIT ABOVE Deckeleinheit, Kabelabgang oben	1 928 405 699	BOSCH GS-AM/SCO
2.1	COVER UNIT, CABLE EXIT FLAT Deckeleinheit, Kabelabgang gerade	1 928 405 328	BOSCH GS-AM/SCO
1	CONTACT HOUSING UNIT Kontakttraegereinheit	SEE CODE TABLE Siehe Kodiertabelle	BOSCH GS-AM/SCO

FITTING ACCESSORY PARTS Passende Zubehoerteile				
PART Teil	DESIGNATION Benennung	OFFER DRAWING Angebotszeichnung	ORDER NUMBER Bestellnummer	SUPPLIER Lieferant
	CABLE TIE Kabelbinder	C 265 152 006A	1 928 401 713	BOSCH GS-AM/SCO

TERMINALS, SINGLE WIRE SEALS, DUMMY PLUGS, DISASSEMBLY TOOL, CRIMPING TOOLS TO BE USED:
Zu verwendende Kontakte, Einzeladerdichtungen, Blindstopfen, Demontagewerkzeuge, Crimpzangen:

						SINGLE WIRE SEALS Einzeladerdichtungen		DUMMY PLUGS Blindstopfen			DISASSEMBLY TOOLS Demontagewerkzeuge	CRIMPING TOOLS Crimpwerkzeuge	CRIMPING PLIERS Crimpzangen	
BTL	1 928	WIRE RANGE (mm ²) Leitungsquerschnitt (mm ²)	INSULATION DIAMETER (mm) Isolationsdurchmesser (mm)	SURFACE Oberflaeche	SUPPLIER Lieferant	ORDER NUMBER Bestellnummer	COLOR Farbe	ORDER NUMBER Bestellnummer	COLOR Farbe	SUPPLIER Lieferant	ORDER NUMBER Bestellnummer	ORDER NUMBER Bestellnummer	ORDER NUMBER Bestellnummer	SUPPLIER Lieferant
BTL 1.5	1 928 498 690	0.35 - 0.5	1.2 - 1.6 (FLR)	Sn	BOSCH GS-AM/SCO	1 928 301 118	RED Rot	1 928 301 087	WHITE Weiss	BOSCH GS-AM/SCO	1 928 498 714	1 928 498 706	1 928 498 839	BOSCH GS-AM/SCO
BTL 1.5	1 928 498 650	> 0.5 - 0.75	1.6 - 1.9 (FLR)	Sn	BOSCH GS-AM/SCO	1 928 301 083	GREY Grau	1 928 301 087	WHITE Weiss	BOSCH GS-AM/SCO	1 928 498 714	1 928 498 707	1 928 498 838	BOSCH GS-AM/SCO
BTL 1.5	1 928 498 650	1.0	1.9 - 2.1 (FLR)	Sn	BOSCH GS-AM/SCO	1 928 301 084	YELLOW Gelb	1 928 301 087	WHITE Weiss	BOSCH GS-AM/SCO	1 928 498 714	1 928 498 707	1 928 498 838	BOSCH GS-AM/SCO
BTL 2.8	1 928 498 651	1.5	2.0 - 2.7 (FLR)	Sn	BOSCH GS-AM/SCO	1 928 301 206	REDDISH BROWN Rotbraun	1 928 301 207	GREEN Gruen	BOSCH GS-AM/SCO	1 928 498 715	1 928 498 708	1 928 498 840	BOSCH GS-AM/SCO
BTL 2.8	1 928 498 651	2.5	2.7 - 3.0 (FLR)	Sn	BOSCH GS-AM/SCO	1 928 301 085	ORANGE Orange	1 928 301 207	GREEN Gruen	BOSCH GS-AM/SCO	1 928 498 715	1 928 498 708	1 928 498 840	BOSCH GS-AM/SCO
BTL 4.8	1 928 498 652	> 2.5 - 4.0	3.4 - 3.7 (FLR)	Sn	BOSCH GS-AM/SCO	1 928 301 086	BLUE Blau	1 928 301 208	WHITE Weiss	BOSCH GS-AM/SCO	1 928 498 716	1 928 498 709	1 928 498 841	BOSCH GS-AM/SCO

TERMINALS AND PIN TERMINALS OF CONNECTOR AND PIN HOUSING MUST HAVE THE SAME SURFACE
Kontakte und Kontaktstifte von Stecker und Stiftleiste muessen gleiche Oberflaechen aufweisen

PROCESSING SPECIFICATION / Verarbeitungsvorschrift

BTL 1.5: 1 928 A00 00V BTL 2.8: 1 928 A00 01V BTL 4.8: 1 928 A00 02V

PARTS HAVE TO BE ORDERED AT THE SUPPLIERS!
Teile sind bei den Lieferanten zu bestellen !

CORRESPONDING DOCUMENTS: Zugehoerige Unterlagen:	TECHNICAL CUSTOMER DOCUMENTATION Technische Kundenunterlagen	1 928 A01 87T	ASSEMBLY INSTRUCTION Montagevorschrift	1 928 A01 53M	FINAL CHECK INSTRUCTION Endpruefvorschrift	1 928 A00 29E
---	---	---------------	---	---------------	---	---------------

MODIFICATIONS RESERVED DUE TO FURTHER DEVELOPMENT.
Aenderungen aufgrund der weiteren Entwicklung vorbehalten.

PARTS MAY DIFFER IN NON-FUNCTIONAL DETAILS FROM THE REPRESENTATION IN THIS DRAWING.
Teile koennen in nicht funktionsrelevanten Details von der Darstellung in der Zeichnung abweichen.

THIS DRAWING ISN'T QUALIFIED FOR CONSTRUCTION OR TOOL BUILDING.
Diese Zeichnung ist nicht fuer die Konstruktion oder Werkzeugerstellung geeignet.

INCIDENCE OF '1' mm PER SIDE IS PERMITTED.
Einfall von '1' mm je Seite ist erlaubt.

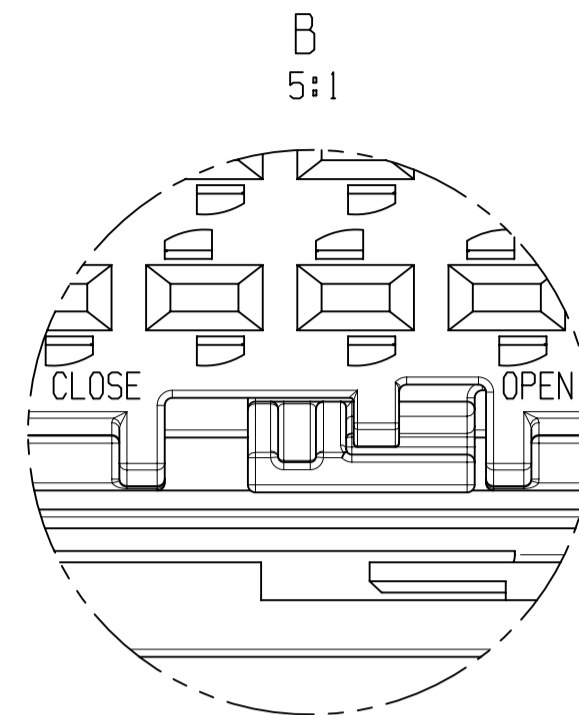
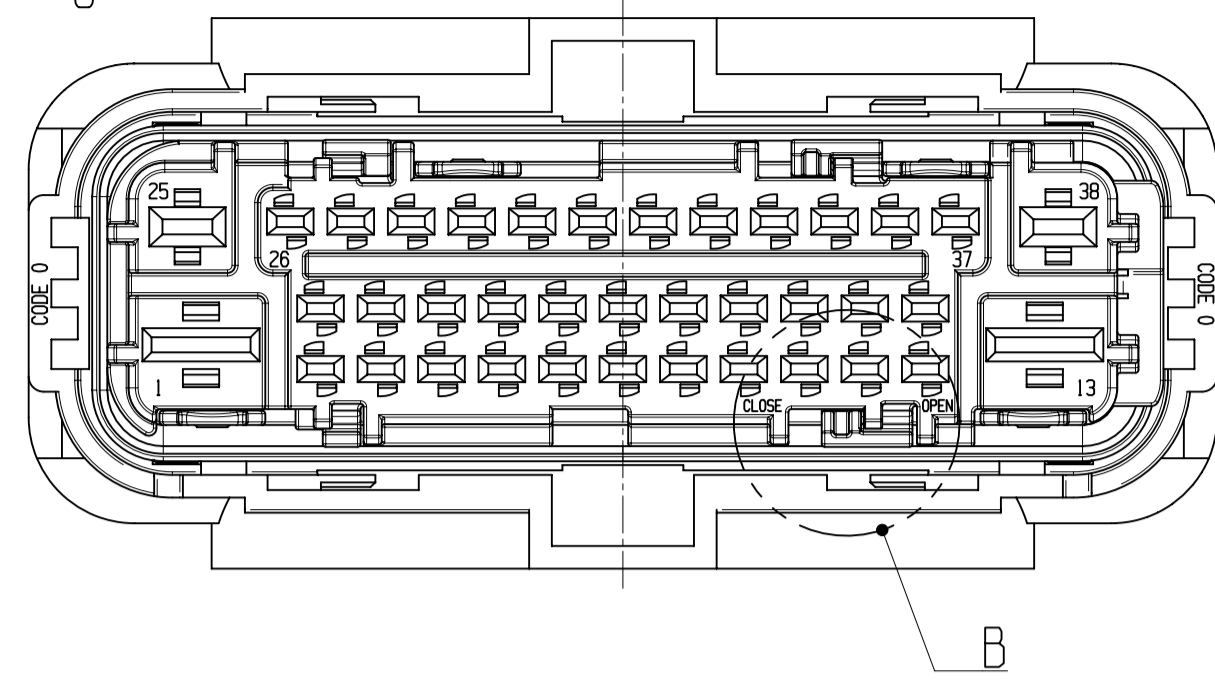
general tolerances for all dimensions lin. dim./Laeenge radii/radien angles/Winkel	+0,5mm	+0,5mm	±5°
all linear dimensions in/ Alle Laengerassen in	mm		
drawing standard/ Zeichnungsstandard	ISO Standard		
confidential/Vertraulich			

141 F02BZ8665	20180125	vbo5kor	wdm3ba	kat1alc	2130 GS-AM/ENC	NX MIGRATION	
13 REVISED	20150526	abl4kor	sit4kor	kat1alc	2130 GS-AM/ENC		
12 REVISED	20140225	cht4kor	ria1kor		2130 GS-AM/ENC		
01 NEW EDITION	20071112	Dn	Lz	Lz	2130 GS-AM/ENC		
Ind. Change/Änd.	YYYYMMDD	Drawn/Gez.	Checked/Gepr.	Released/Freige.	BWN Resp. dept./Verantw. Abt.	Add. info./Zus. Info.	
Lang./Spr.	Syst.	Night./Dev.	PLUG-IN CONNECTOR STECRVERBINDUNG				38-WAY 38-polig
ent/de	UG		Scale/Verstab				2:1
BOSCH		Doc. type		1 928 A00 287-006		DP/ID	
MNR		OFFER DRAWING ANGEBOTSZEICHN.		AGZ		14	
		Repl. for				Repl. by	

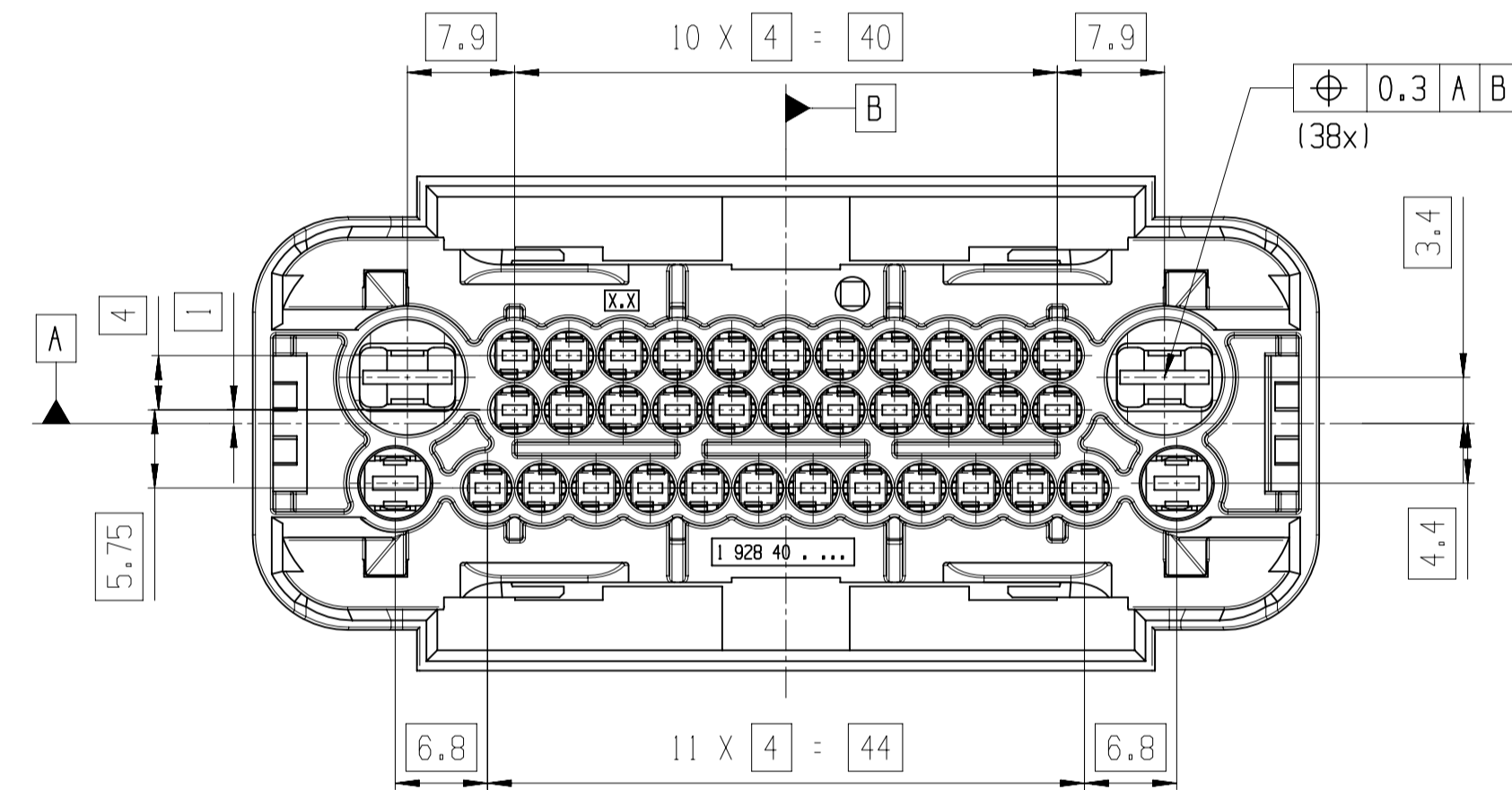
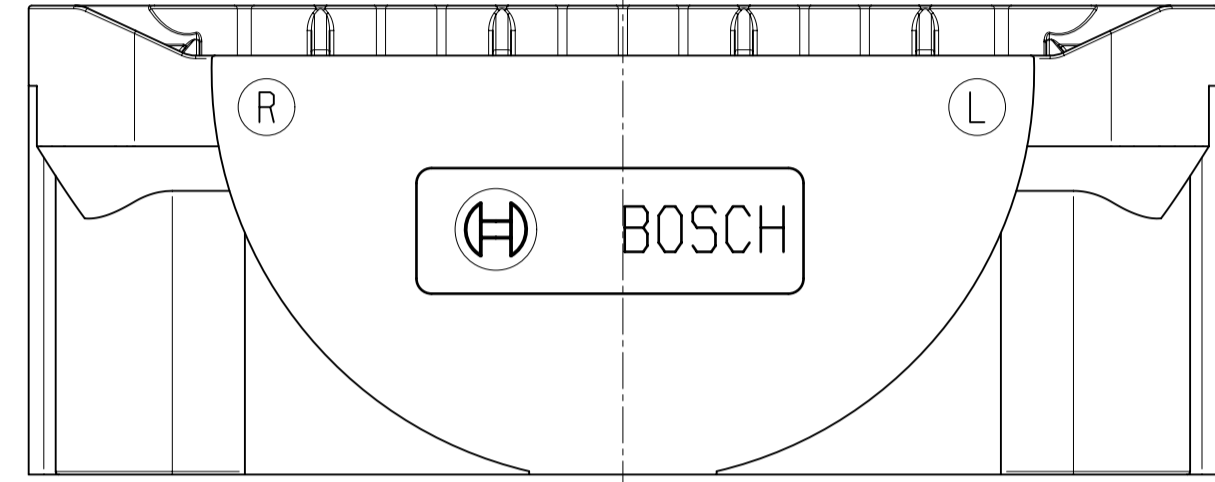
© Robert Bosch GmbH. All rights reserved, also regarding any dissemination in electronic and/or mechanical forms. All other marks contained herein are the property of their respective owners.

DELIVERY CONDITION: PARTS HAVE TO BE ORDERED SEPARATELY
Anlieferungszustand: Teile sind einzeln zu bestellen

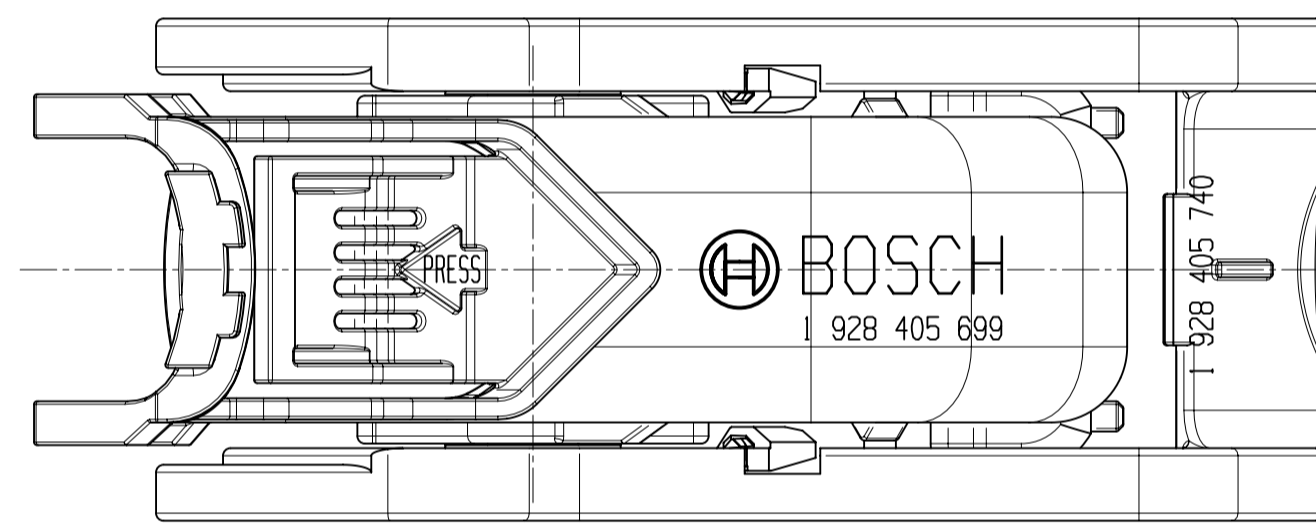
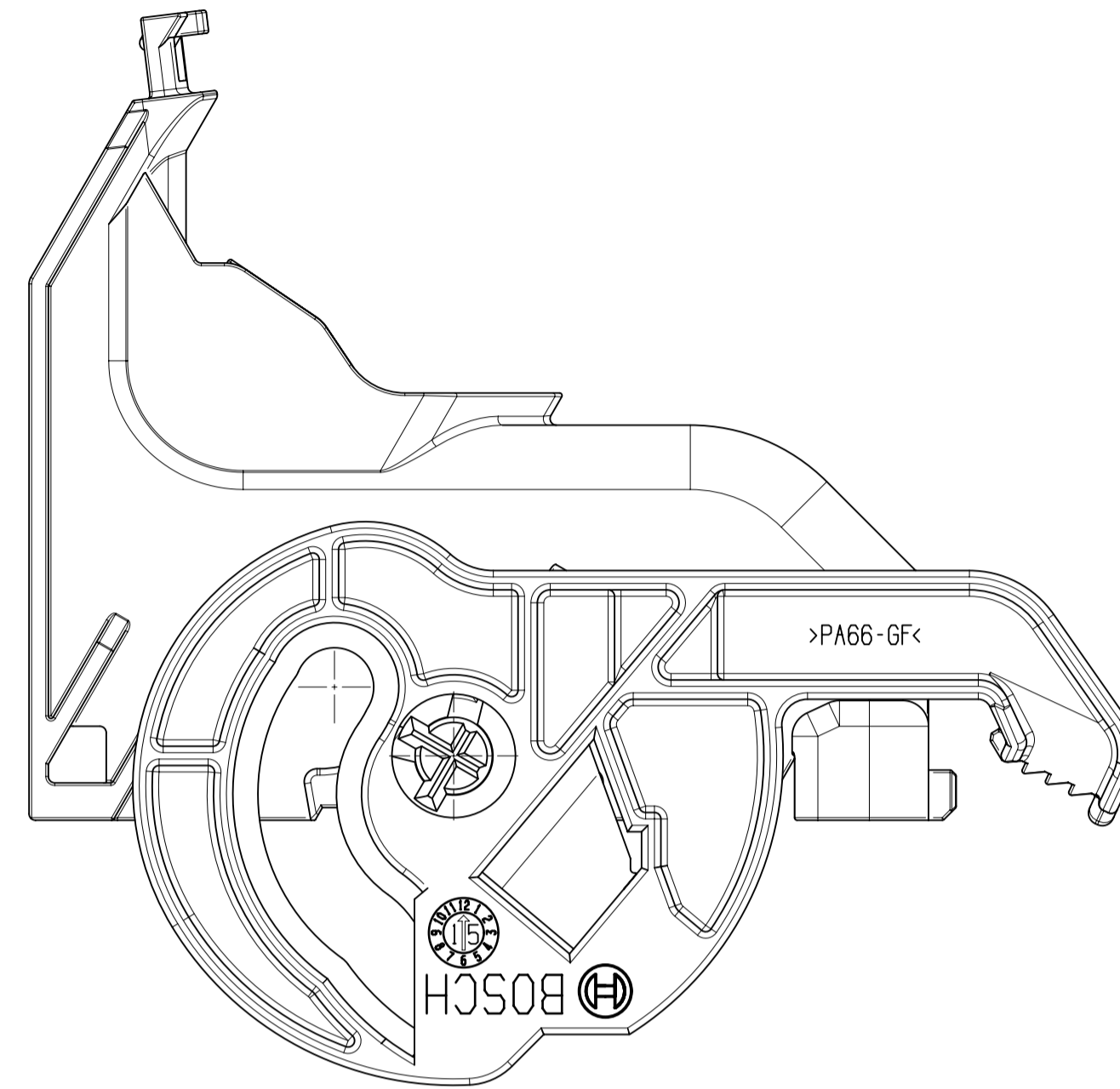
CONTACT HOUSING UNIT
Kontakttraegerereinheit



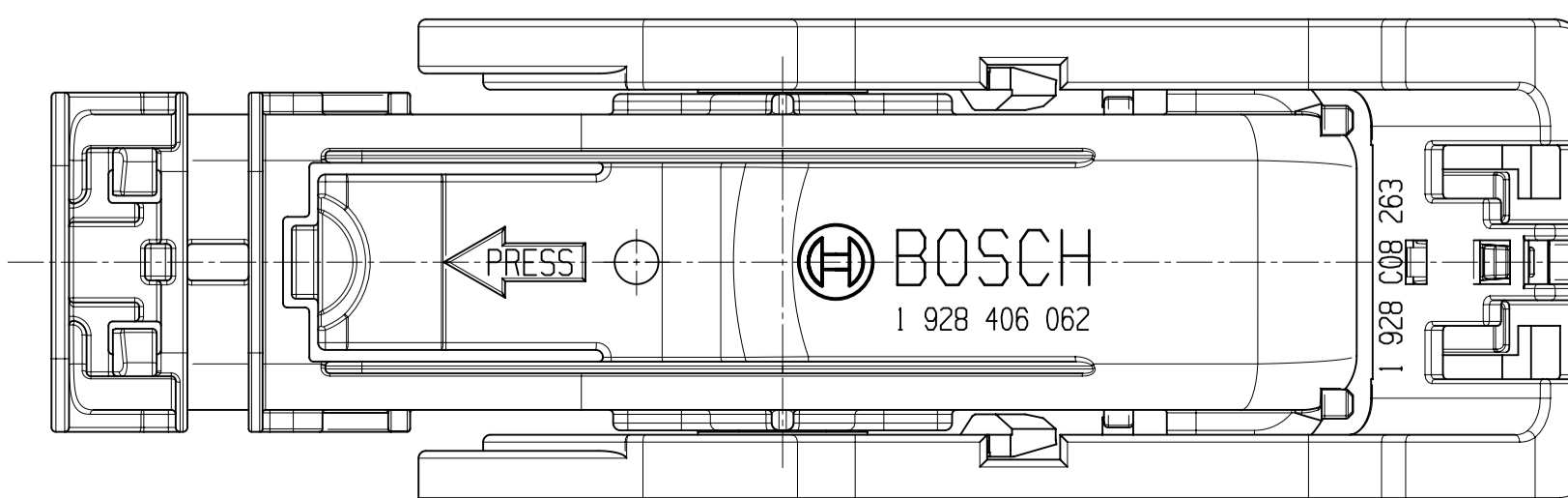
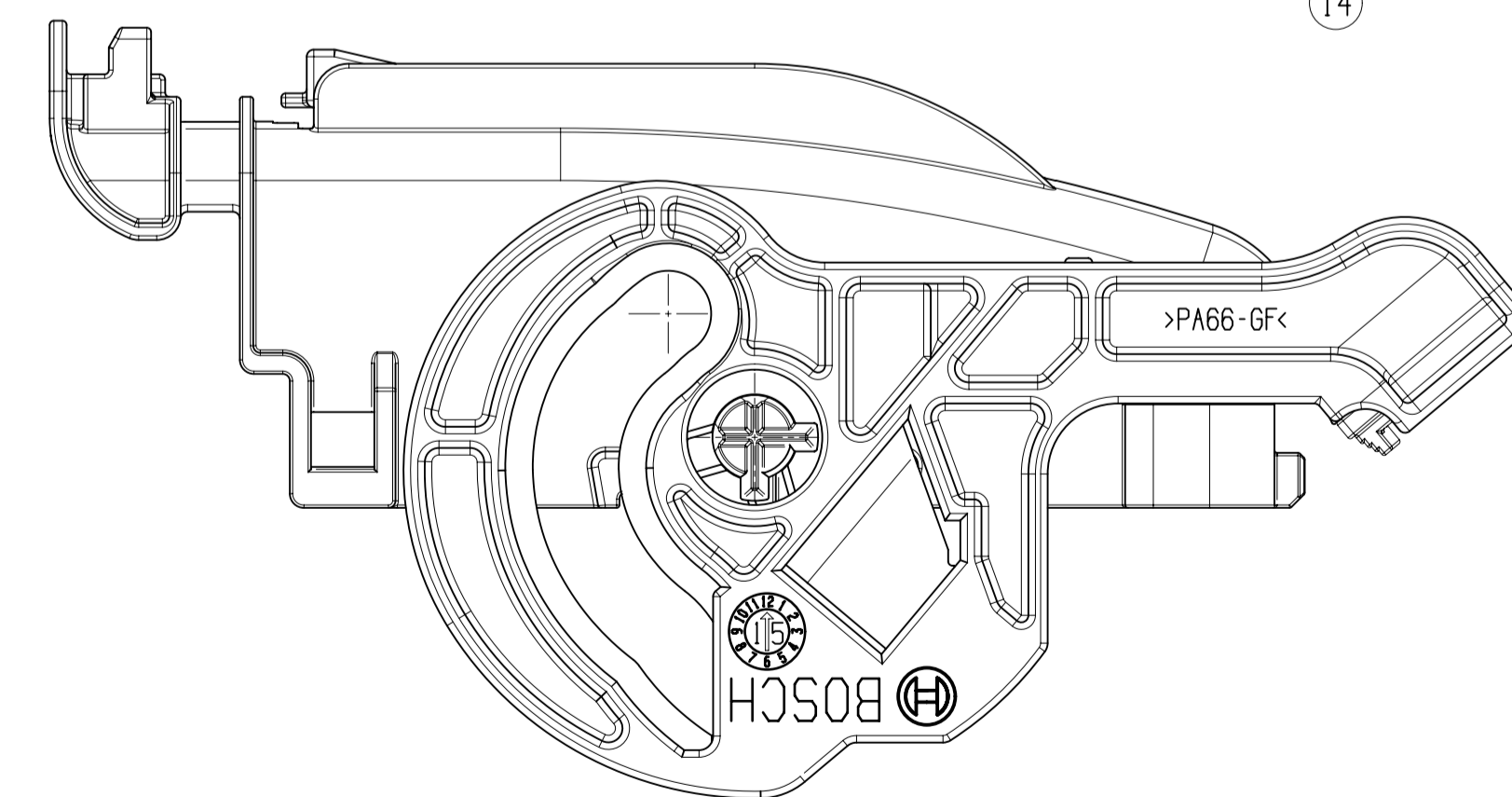
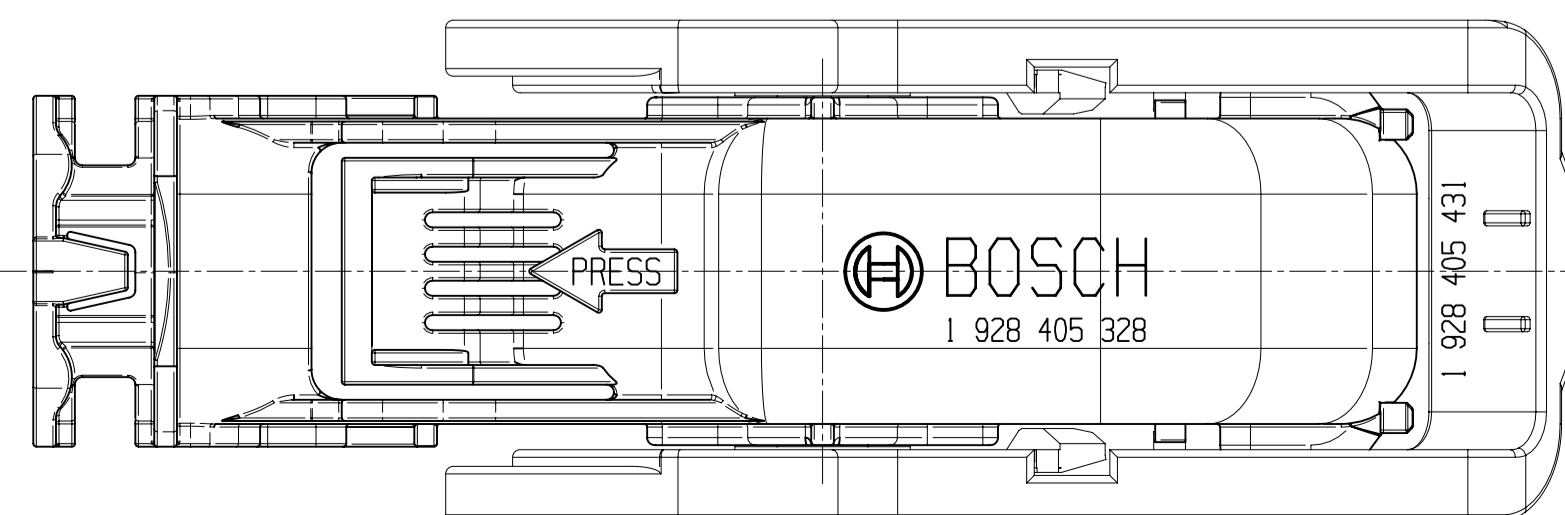
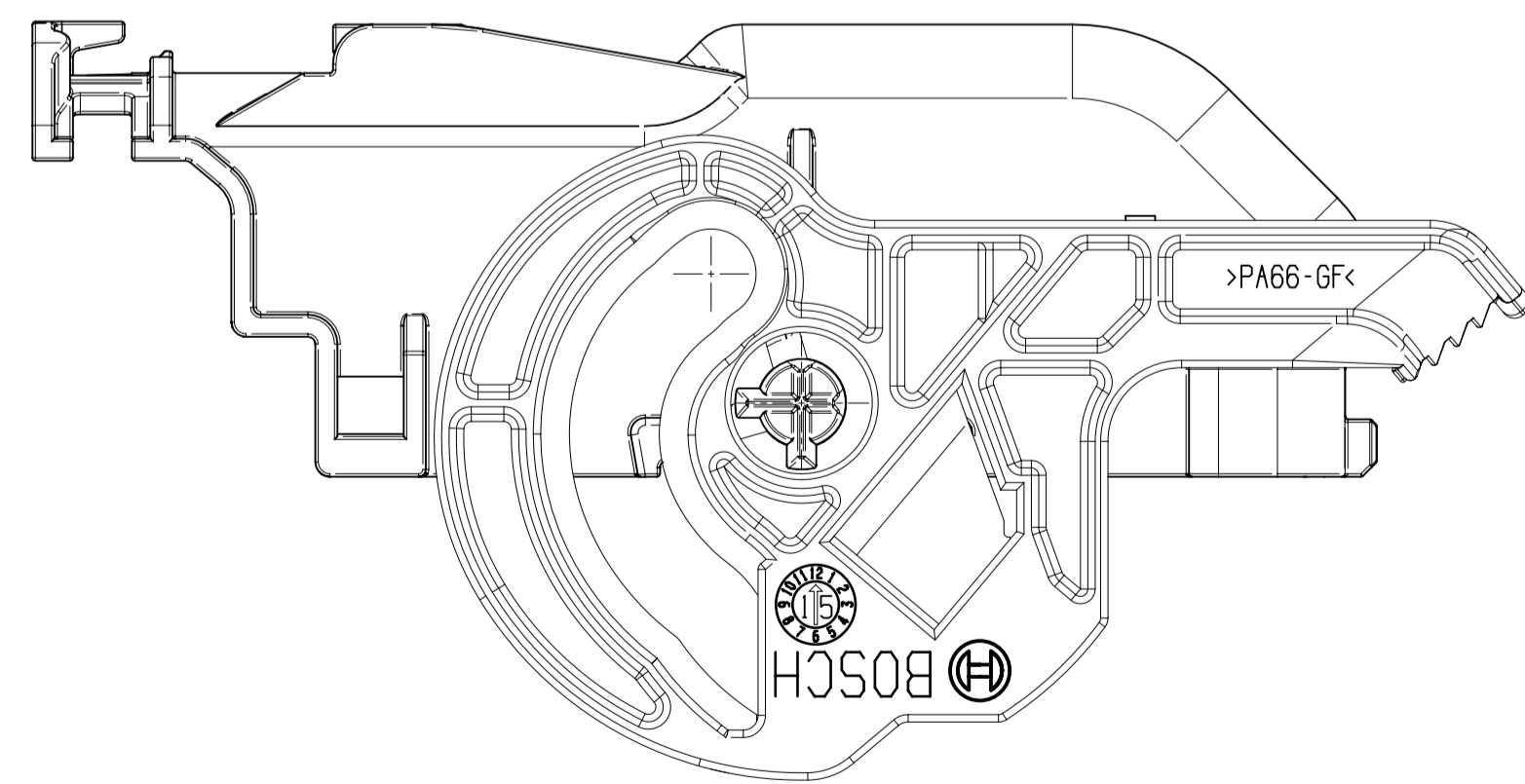
SECONDARY LOCKING
OPEN
Sekundaervernriegelung
geoeffnet



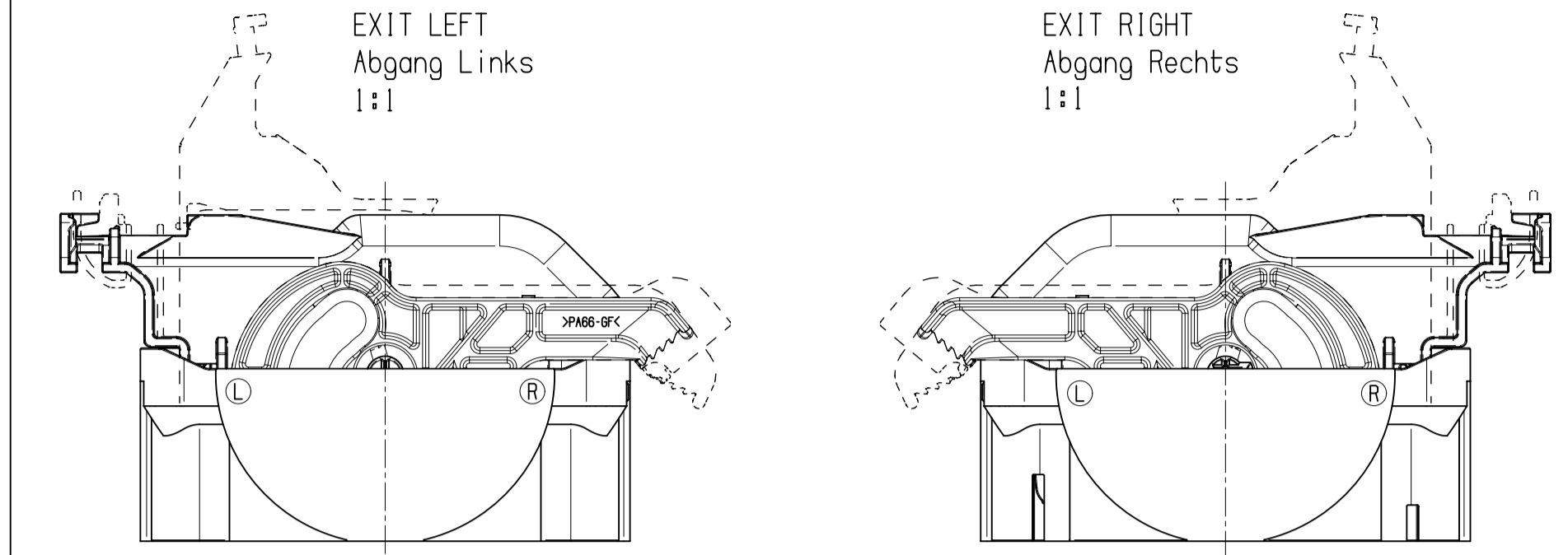
COVER UNIT, CABEL EXIT ABOVE
Deckeleinheit, Kabelabgang oben



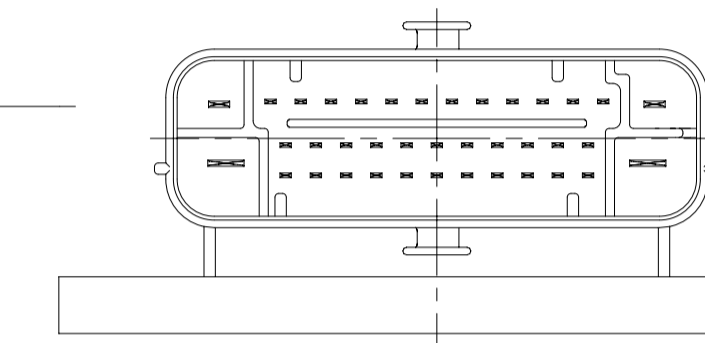
COVER UNIT, CABEL EXIT FLAT
Deckeleinheit, Kabelabgang gerade



DEFINITION OF CABLE EXIT
Definition von Kabelabgang

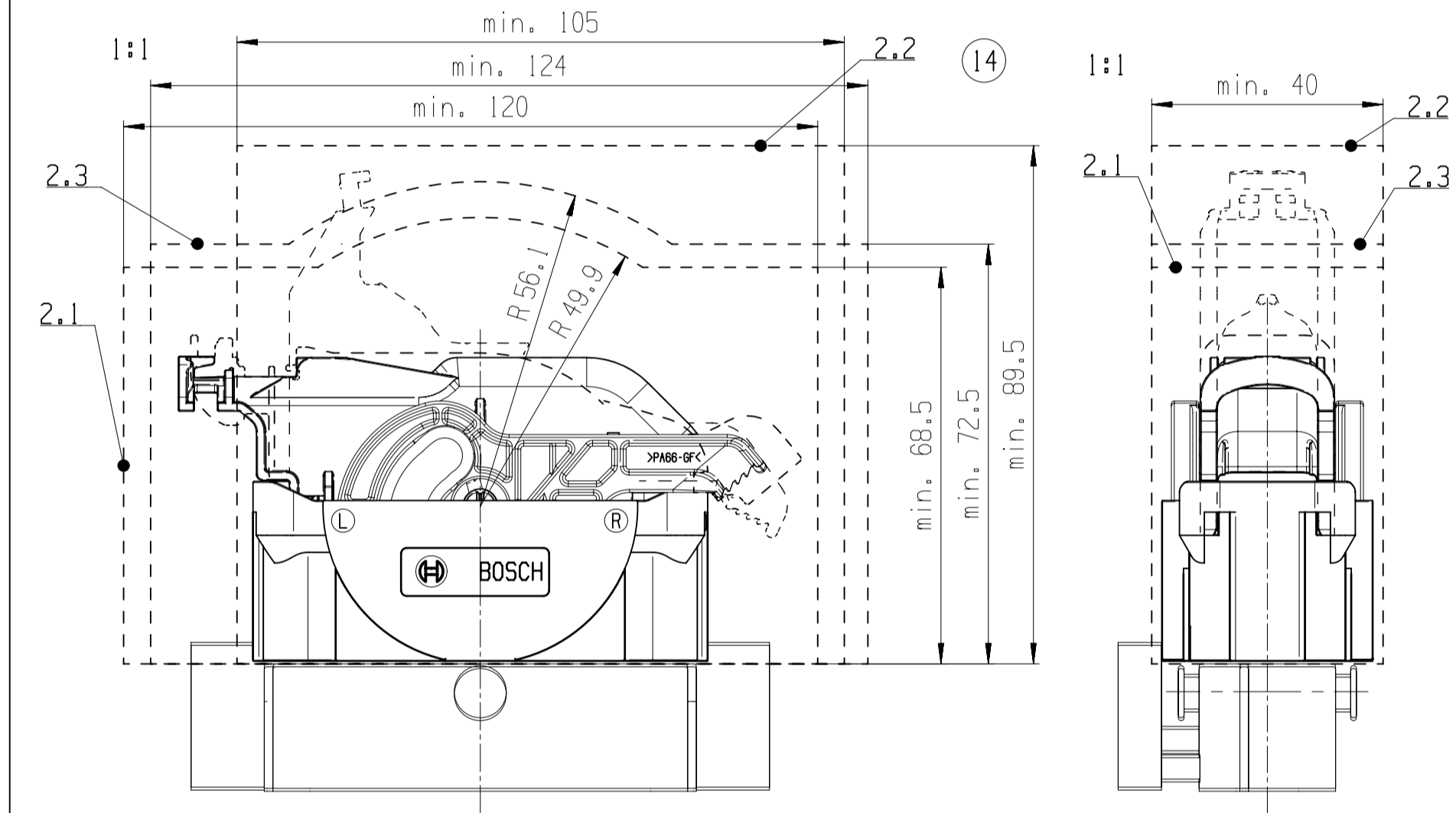


FOR WIRE OUTLET
IN DIRECTION OF
PIN 38 (LEFT)
Fuer Kabelabgange
in Richtung
Kammer 38 (links)

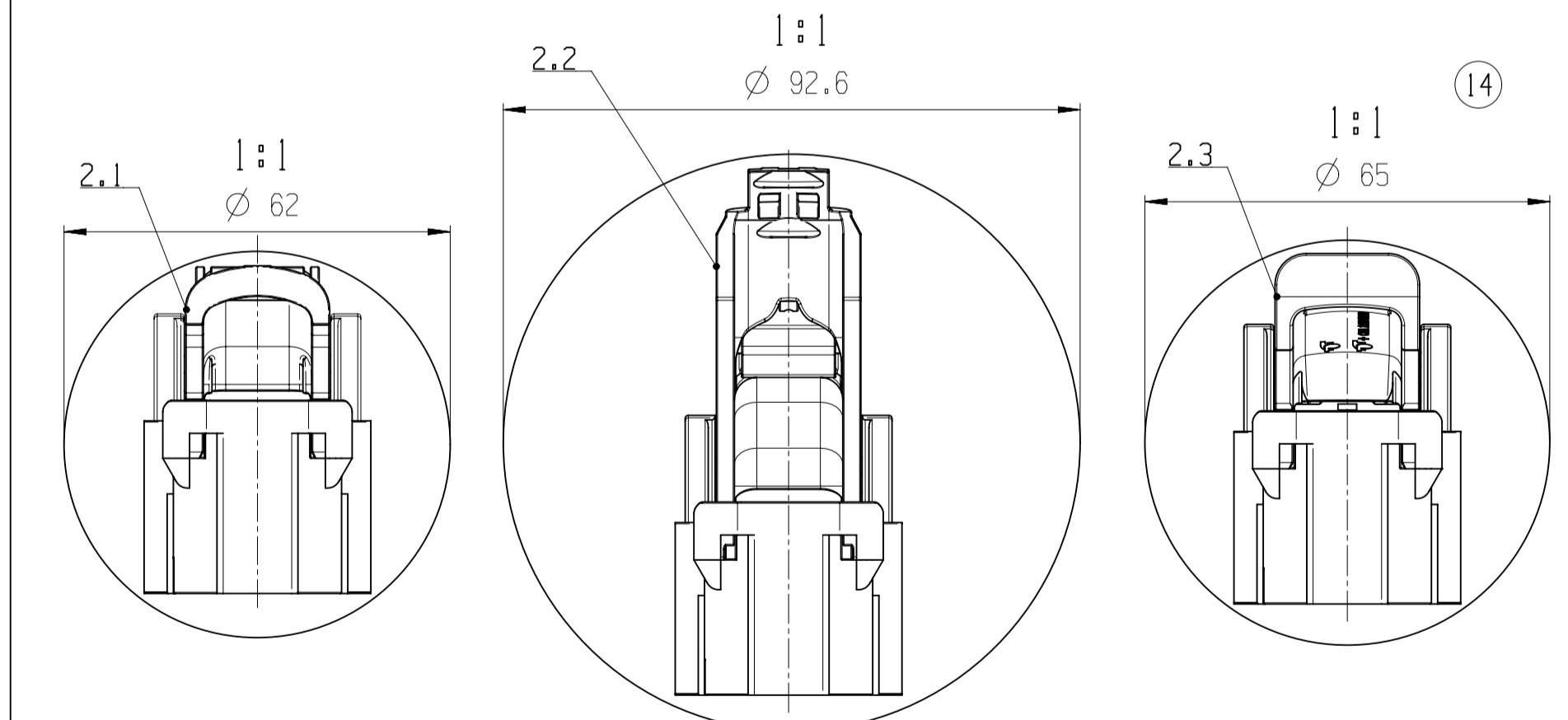


FOR WIRE OUTLET
IN DIRECTION OF
PIN 1 (RIGHT)
Fuer Kabelabgange
in Richtung
Kammer 1 (rechts)

DEFINITION OF REQUIRED CLEARANCE
Definition des erforderlichen Freiraums



REQUIRED PASSAGE OPENING
Erforderliche Durchfuhrungs-
oeffnung



general tolerances for all dimensions	Fuer lin. dim./L-masse	radii/Radien	angles/Winkel
±0.5mm	±0.5mm	±5°	
all linear dimensions in/ Alle Loergermaesse in			
drawing standard/ Zeichnungsstandard			
ISO Standard			
confidential/Vertraulich			

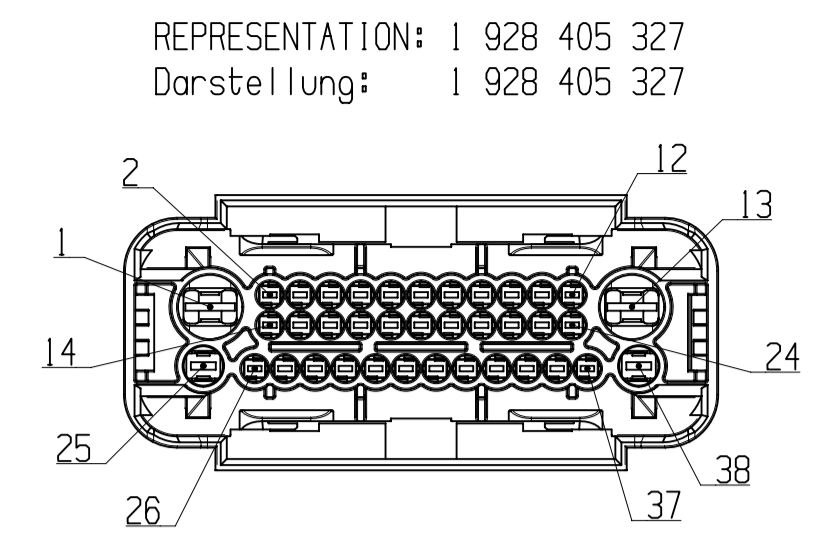
141 F02B28665	20160125	vbo5kor	wdm3ba	kat1alc	2130 G5-AM/ENC	NX MIGRATION
13 REVISED	20150526	abl4kor	sit4kor	kat1alc	2130 G5-AM/ENC	
12 REVISED	20140225	cht4kor	riatkor		2130 G5-AM/ENC	
01 NEW EDITION	20071112	Dn	Lz	Lz	2130 G5-AM/ENC	
Ind. Change/Änd.	YYYYMMDD	Drawn/Gez.	Checked/Gepr.	Released/Freige.	BWN	Resp. dept./Verantw. Abt.
Lang./Spr.	Syst.	Right./Gew.	Scale/W.stab	PLUG-IN CONNECTOR STECVERBINDUNG		
en/de	UG		2:1	38-WAY 38-polig		
BOSCH				Ind. Formst.		
OFFER DRAWING ANGEBOTSZEICHN.				1 928 A00 287-006		
MNR				Repl. by		

© Bosch GmbH. All rights reserved, also regarding any dissemination, copying or reproduction. This document contains confidential information. The use of the information is only permitted within the framework of the contractual relationship. Bosch and the Bosch logo are registered trademarks of Bosch Power Tools GmbH.

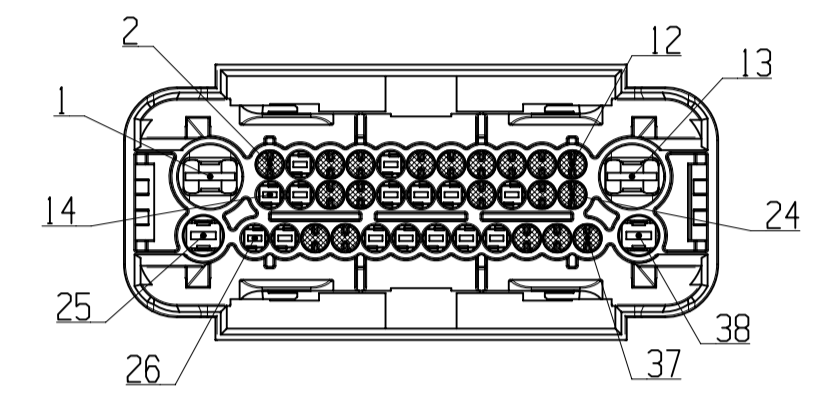
ORDER NUMBER Bestellnummer	CODE Kodierung	GM PART-NUMBER GM Teile-nummer	NUMBER OF OPEN CAVITIES (...) Anzahl offene Kammern (...)	POSITION OF CAVITY/ NUMBER OF CAVITY / Kammerposition/ Kammernummer																																		
				0 ... CAVITY CLOSED FOR BTL 2.8 AND 4.8 0 ... Kammer geschlossen fuer BTL 2.8 und BTL 4.8															X ... CAVITY CLOSED FOR BTL 1.5 X ... Kammer geschlossen fuer BTL 1.5																			
				LINE 1 / Reihe 1									LINE 2 / Reihe 2									LINE 3 / Reihe 3																
1	2	3	4	5	6	7	8	9	10	11	12	13	14	15	16	17	18	19	20	21	22	23	24	25	26	27	28	29	30	31	32	33	34	35	36	37	38	
1 928 405 327	0	13513363	(38)																																			
1 928 405 363		13513364	(19)	X		X	X		X	X	X	X	X			X	X				X	X					X	X					X	X	X			
1 928 405 377		13513365	(18)	X	X	X	X		X	X	X	X	X			X	X				X	X					X	X					X	X	X			
1 928 405 496		13513366	(22)	X		X	X		X	X	X	X	X			X					X	X					X	X						X	X			
1 928 405 629		13510809	(25)	X	X		X		X	X							X			X			X	X					X	X			X			0		
1 928 405 831		13513367	(26)	X				X	X		X	X	X	X							X		X	X						X				X				
1 928 405 939		13510805	(25)	X					X					X	X	X						X	X			X	X			X	X				X			
1 928 406 024		13510808	(21)	X	X		X	X		X	X	X	X								X	X	X	X					X	X	X	X	X	X	X			
1 928 406 025		13510809	(34)						X					X	X															X								
1 928 406 026		13510807	(27)	X				X				X	X	X							X	X	X						X			X	X					

(14)

(14)



REPRESENTATION (EXAMPLE: 1 928 405 363)
MINOR VARIANTS
Darstellung (Beispiel: 1 928 405 363)
Variante fuer Minderbestueckung



"X" INDICATES CLOSED CAVITIES
Zeigt geschlossene Kammern

CLOSED CAVITIES/ Geschlossene Kammern:
2,4,5,7,8,9,10,11,12,16,17,21,23,24,28,
29,35,36,37

© Robert Bosch GmbH. All rights reserved, also regarding any dissemination, copying or reproduction. This document contains confidential information. The copyright for this document is held by Robert Bosch GmbH. All rights reserved, also regarding any dissemination, copying or reproduction. This document contains confidential information. The copyright for this document is held by Robert Bosch GmbH.

general tolerances for Allgemeintoleranzen fuer lin. dim./L-maesse radii/Radien angles/Winkel			
+0,5mm	±0,5mm		±5°
all linear dimensions in/ Alle Loergermaesse in mm			
drawing standard/ Zeichnungsstandard		ISO Standard	
confidential/Vertraulich			

141 F02BZ86665	20180125	vbd5kor	wdm3ba	kat1alc	2130 GS-AM/ENC		NX MIGRATION
13 REVISED	20150526	abl4kor	sit4kor	kat1alc	2130 GS-AM/ENC		
12 REVISED	20140225	cht4kor	ria1kor		2130 GS-AM/ENC		
01 NEW EDITION	20071112	Dn	Lz	Lz	2130 GS-AM/ENC		
Ind. Change/Änd.	YYYYMMDD	Drawn/Gez.	Checked/Gepr.	Released/Freig.	BWN	Resp. dept./Verantw. Abt.	Add. info./Zus. Info.
Lang./Spr.	Syst.	Ug	Scale/Verstab	PLUG-IN CONNECTOR STECKVERBINDUNG		38-WAY 38-polig	Sheet/Bl. 4 / 4
Scale/Verstab: 2:1		BOSCH		Doc. type: 1 928 A00 287-006		DP/ID: 001	Ind. Format: 14 A1
MNR		OFFER DRAWING ANGEBOTSZEICHN.		Repl. for:		Repl. by:	