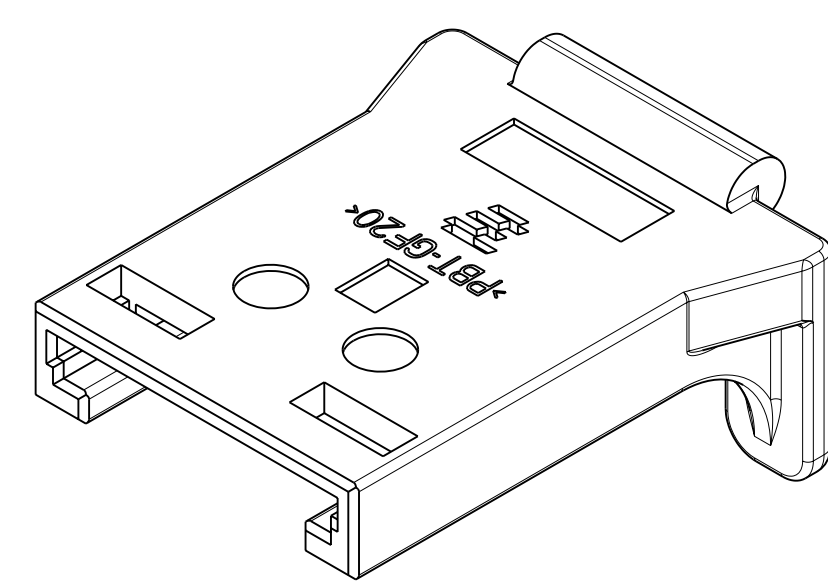
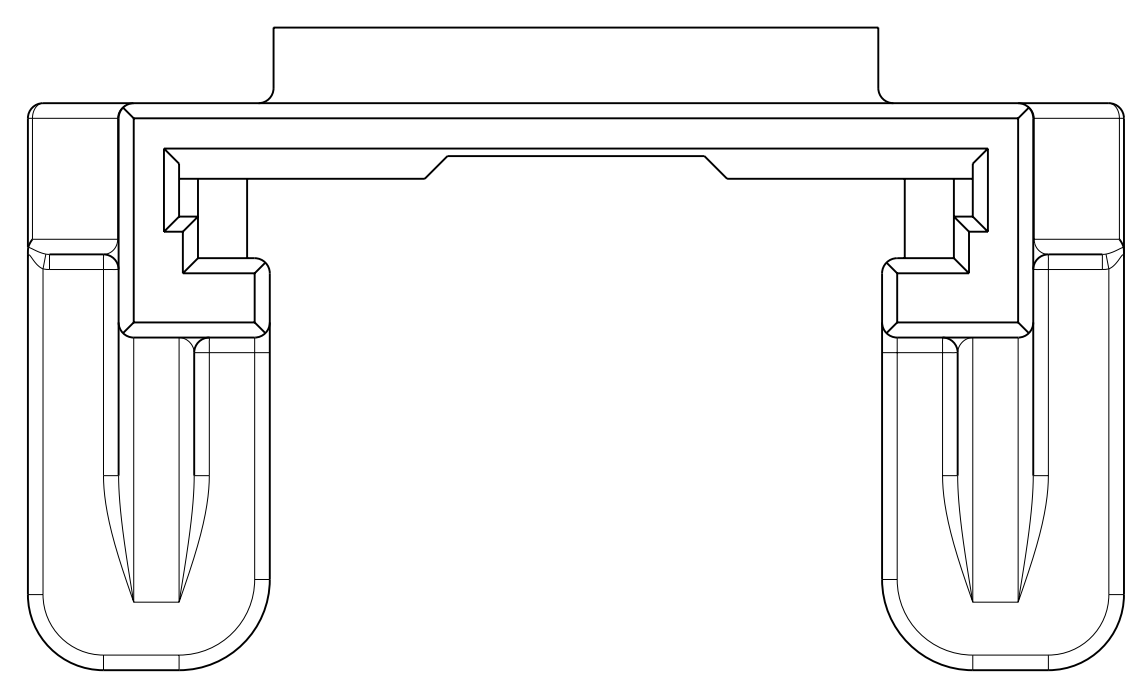
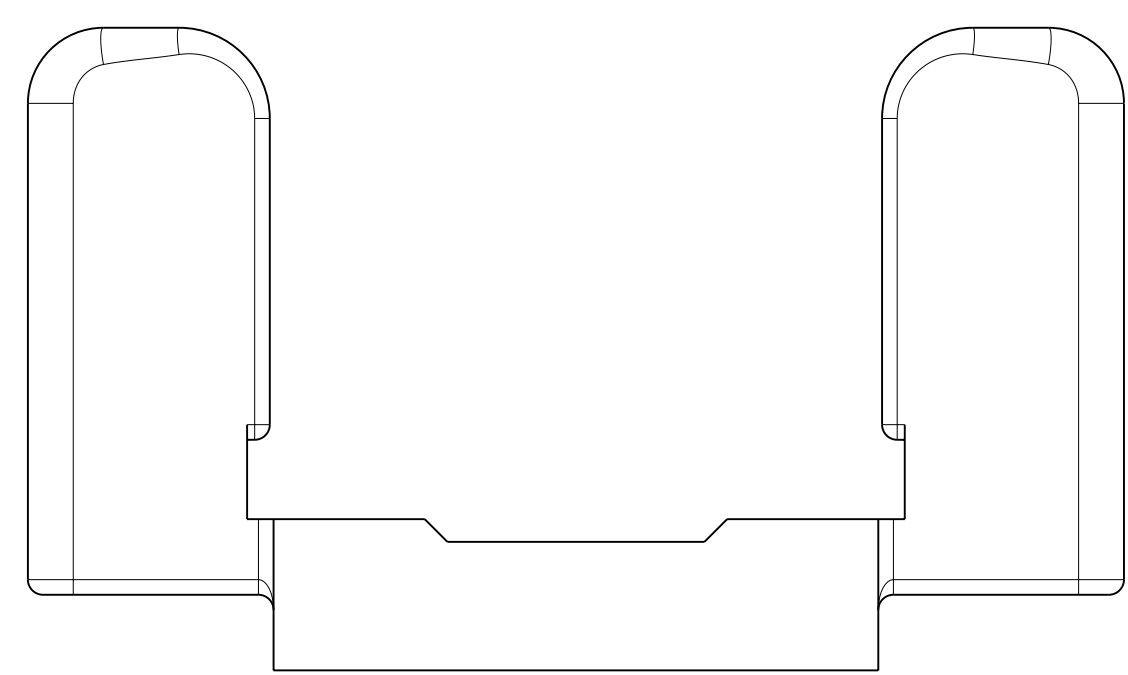
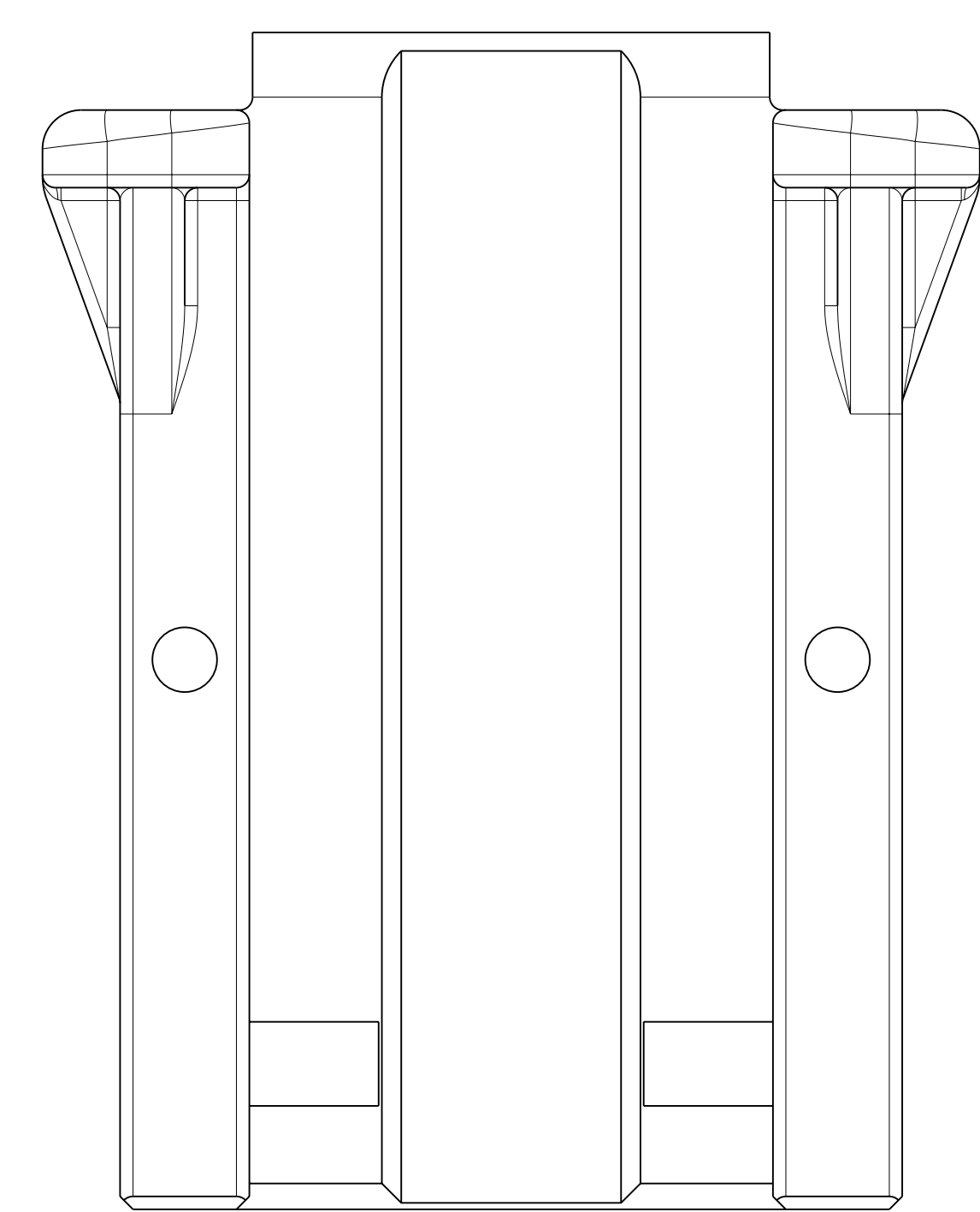
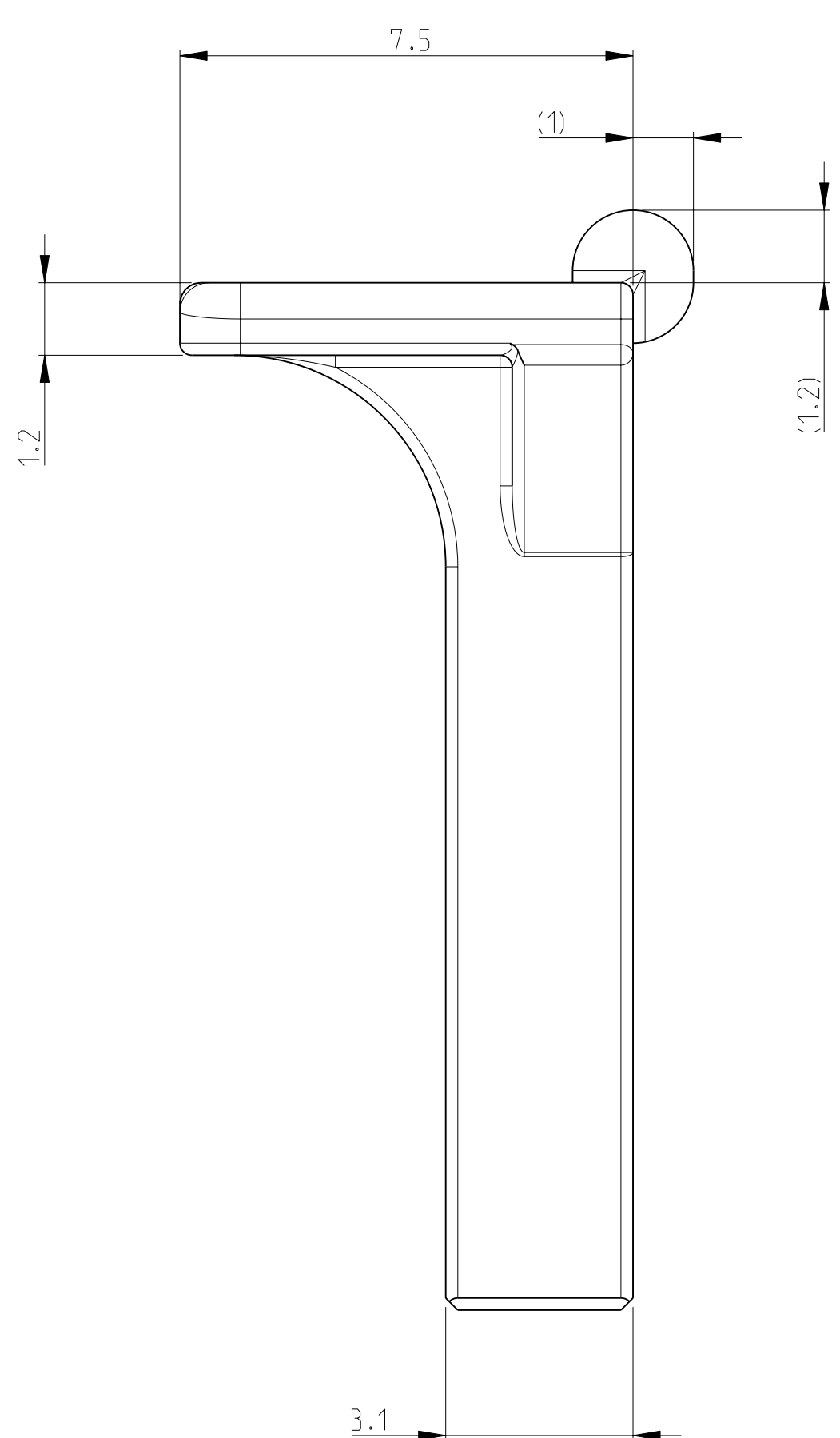
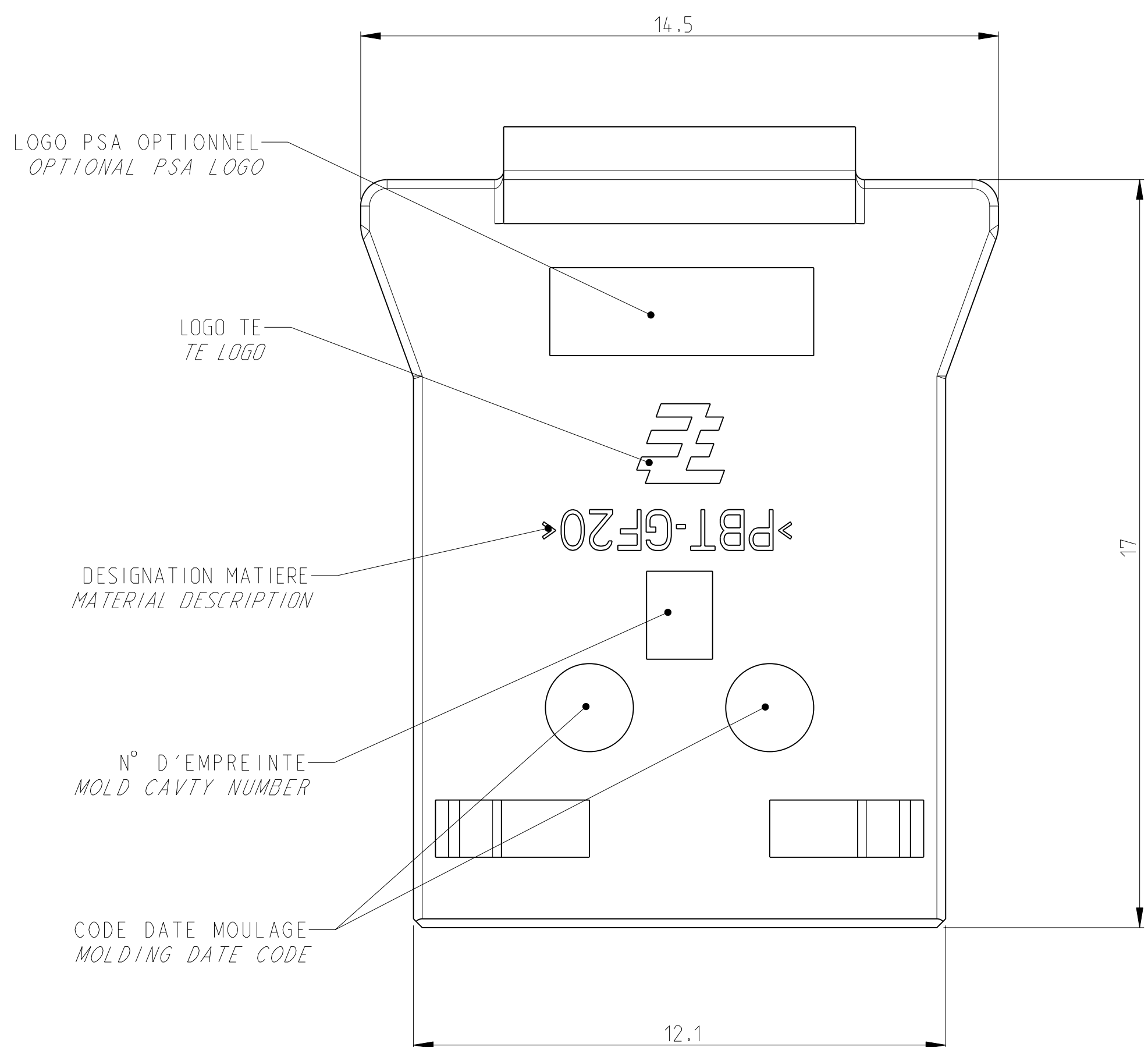


| LOC | DIST | REVISIONS | | | | | |
|-----|------|-----------|-----|---------------|-----------|-------|-----|
| F | 00 | P | LTR | DESCRIPTION | DATE | DWN | APP |
| | | REV | | MODIFICATIONS | | DESS. | XR |
| | | A | | CREATION | 01JUL2009 | NS | XR |



ECHELLE 5:1
SCALE



| COMPOSANTS ASSOCIES MATING PARTS | |
|-------------------------------------|---|
| REF. TE TE PART NUMBER | DESIGNATION |
| 185311-1 | MODULE 6 VOIES MQS SOCKET HOUSING 6 POS MQS |
| 953382-X | PORTE MODULE POUR PORTE CLIPS 6 V. MQS COVER FOR HSG 6 W MQS |

953381-1 REPRESENTEE
AS SHOWN

| | | |
|------------------------|------------------|-----------------|
| PBT 20% FV PBT GF20 | NOIR BLACK | 953381-1 |
| MATIERE MATERIAL | COULEUR COLOR | REF TE TE PV |

| | | | | | |
|---|--|--|--|---|--|
| THIS DRAWING IS UNPUBLISHED. RELEASED FOR PUBLICATION DIFFUSION RESTREINTE AMP BY TYCO ELECTRONICS CORPORATION. ALL RIGHTS RESERVED. © COPYRIGHT 2009 BY TYCO ELECTRONICS CORPORATION. ALL RIGHTS RESERVED. | | DWN/DESIGNER: J. SIMON DATE: 01JUL2009 CDR/APPROVE: F. CHATELUS DATE: 02JUL2009 | | Tyco Electronics France SAS 95300 Pontoise, France | |
| DIMENSIONS: mm TOLERANCES UNLESS OTHERWISE SPECIFIED: DIMENSIONS: mm SPECIFIED: | | NAME: X. COUILLARD PRODUCT SPEC: 108-15192 APPLICATION SPEC: 411-15608 | | SIZE: A CAGE CODE: 00779 DRAWING NO: 953381 | |
| MATERIAL: PBT 20% FV MATIERE: PBT 20% FV | | FINISH: #6* FINITION: #6* | | WEIGHT: 0.6 g MASSE APPROX.: 0.6 g | |
| CUSTOMER DRAWING / PLAN CLIENT | | UNDEMENT / SCALE: 10:1 | | SHEET / FEUILLE: 1 OF 1 REV: A | |