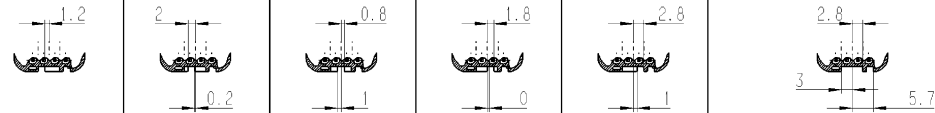


CODING-NO. / Kodierung Nr.

WITHOUT CODING/
ohne Kodierung

B-B

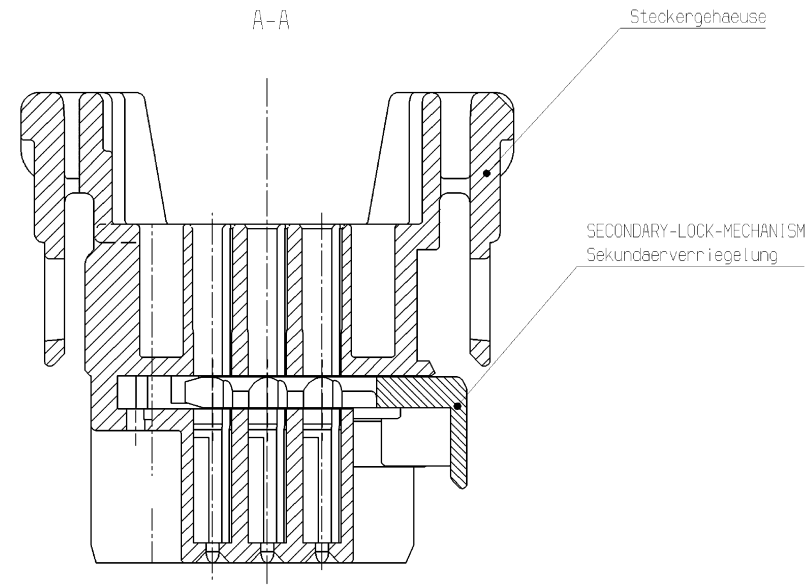
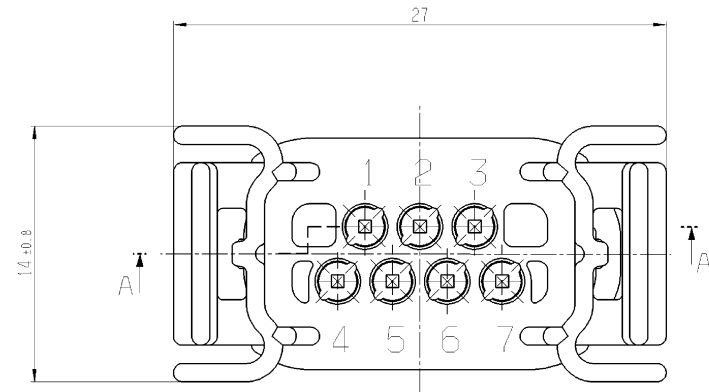
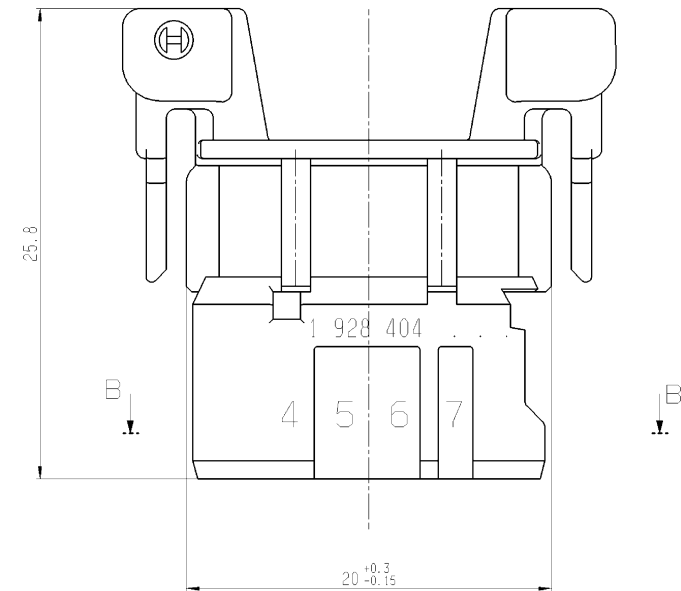
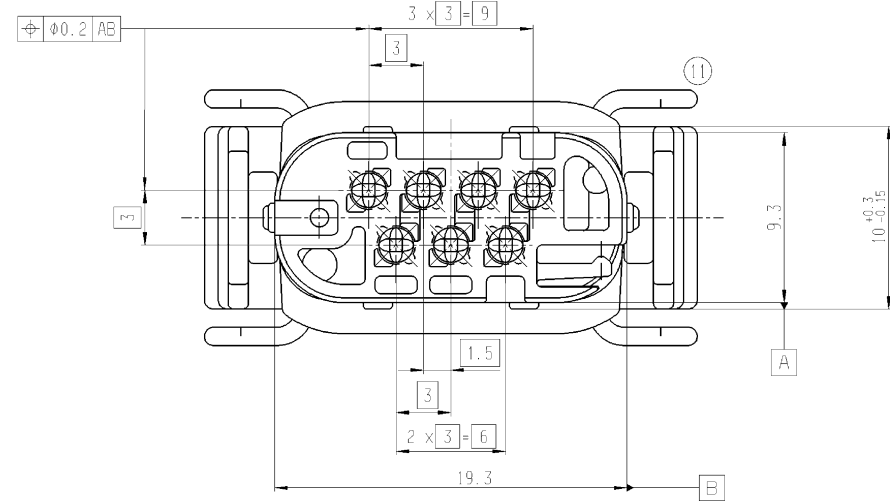
1:1



ORDER-NO. / Bestell-Nr. 1 928 404
TOOL EXISTING / Werkzeug vorhanden

ISO 2951-2:1988-06				
Sheet No.	Sheet Title	Drawn	Checked	Approved
General tolerances for all geometric features for linear dimensions				

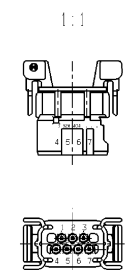
(DRAWN WITHOUT SECONDARY LOCK MECHANISM)
(Ohne Sekundärverriegelung gezeichnet)



CONTACTS FROM BOSCH		
CONTACTS : BMK 0,6 Sn PLATED		
Passende Kontakte der Fa. BOSCH		
Kontakttyp : BMK 0,6 verzinkt		
0.35-0.5 mm ²	1 928 498 000	max. Ø1.6mm(FLR)
0.5-0.75 mm ²	1 928 498 001	max. Ø1.9mm(FLR)
WIRE RANGE Drabtgrößenbereich	PART - NO. Bestell - Nummer	WIRE DIAMETER Leitungsdurchmesser

SPECIFICATIONS Technische Daten	
DATA SPECIFICATIONS / TEST SPECIFICATIONS Kenndatenblatt / Pruefdatenblatt	Y 928 K00 052
ASSEMBLY INSTRUCTIONS Montageanleitung	Y 928 F00 102
DISMANTLING TOOLS Demontagewerkzeuge	1 928 498 106 AND 1 928 492 195 1 928 498 106 und 1 928 492 195

CONNECTOR
WITH SECONDARY-LOCK-MECHANISM
PROTECTION MODE : IP30
Stecker
sekundärverriegelbar
Schutzgrad : IP30



11 CORR./Ueben	20100210	hpi1kon	Fsh2s1	013	05-AM/ENC	
07 CORR./Ueben	19990610	Se/Ma	Ma	013	05-CP/ENG02	
Ed. Change/Änderung	YYYYMMDD	Drawn/Gez.	Checked/Gepr.	Released/Freig.	Rev. No./Revis./Nbr.	App. Refs./Zus. Info.
Leng./Ser.	Syst.	Appl./Gew.	CONNECTOR		7-WAY	Sheet/Bl.
en/de	CAT		Stecker		7-pole	1/1
Scale/Vergr.	5:1	Scale/Vergr.	OFFER DRAWING		AGZ A 928 000 480	Format
DR		DR	ANGEBOTSZEICHN.		AGZ A 928 000 480	A1

All rights reserved. No part of this publication may be reproduced, stored in a retrieval system, or transmitted, in any form or by any means, electronic, mechanical, photocopying, recording, or by any information storage and retrieval system, without the prior written permission of the copyright owner.