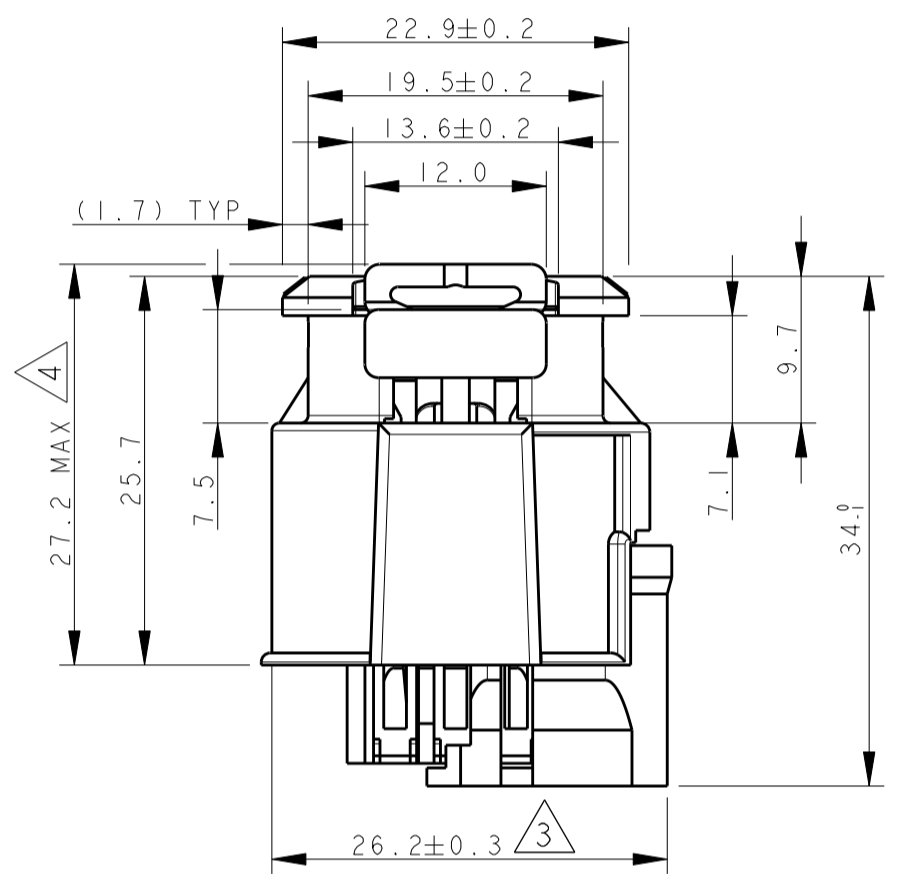
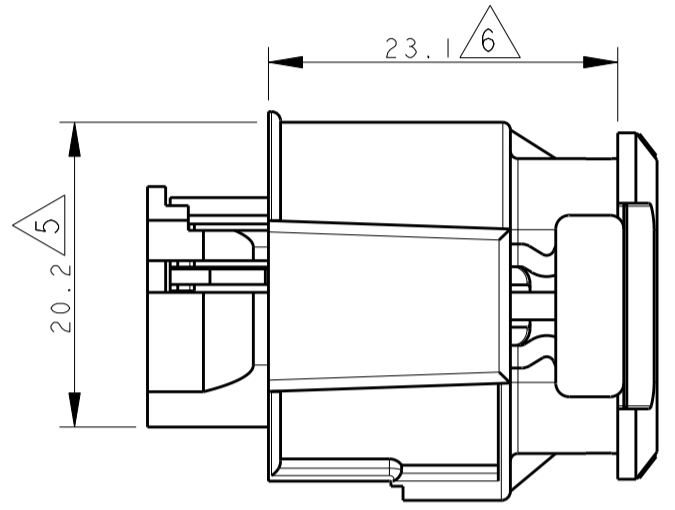
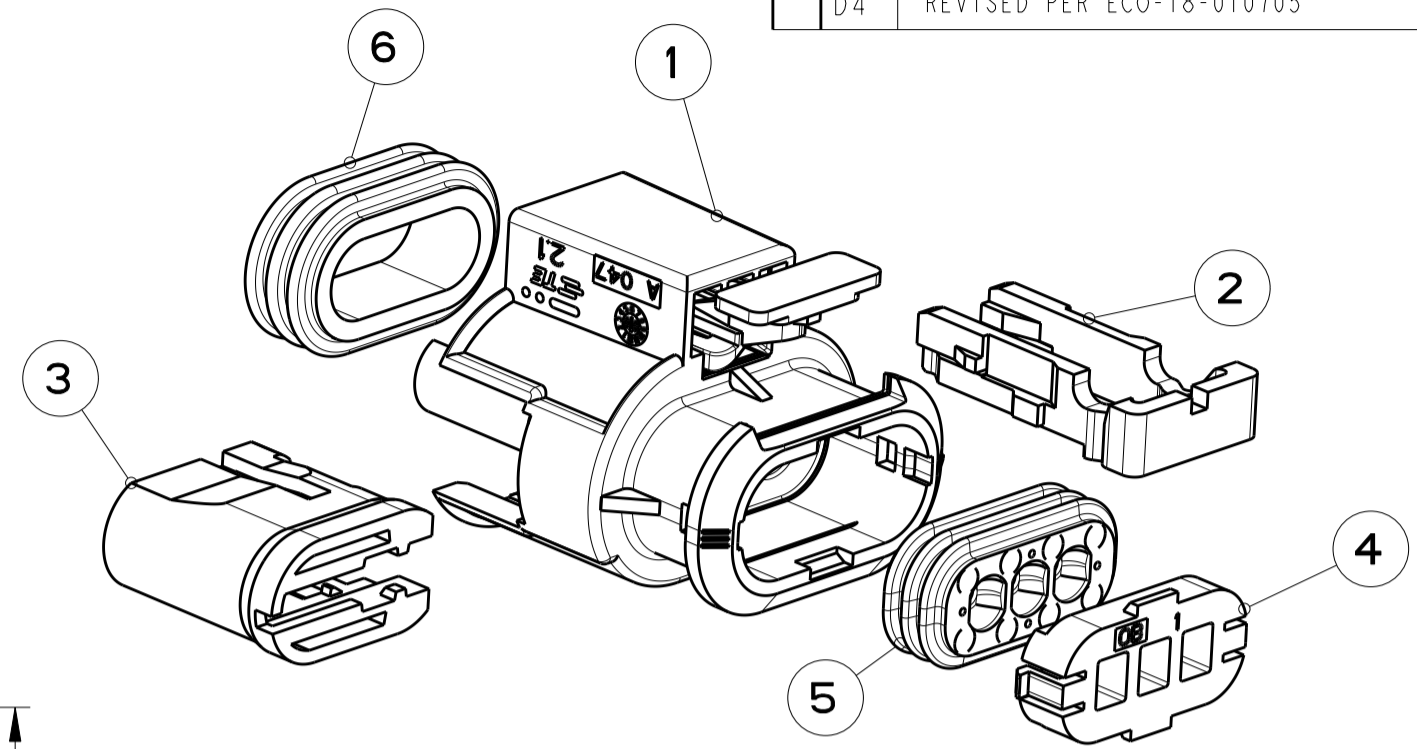
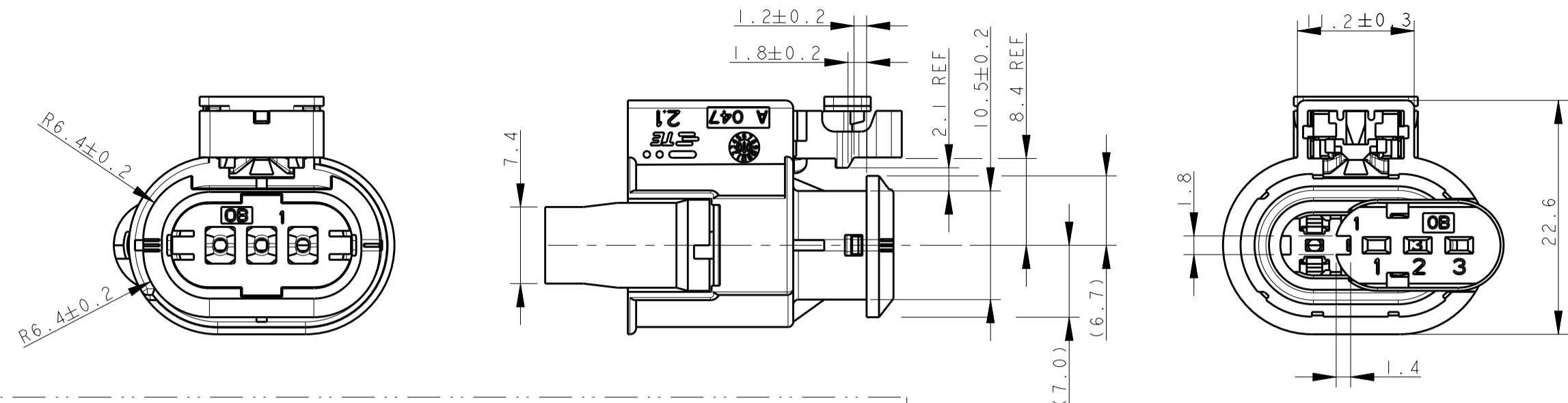


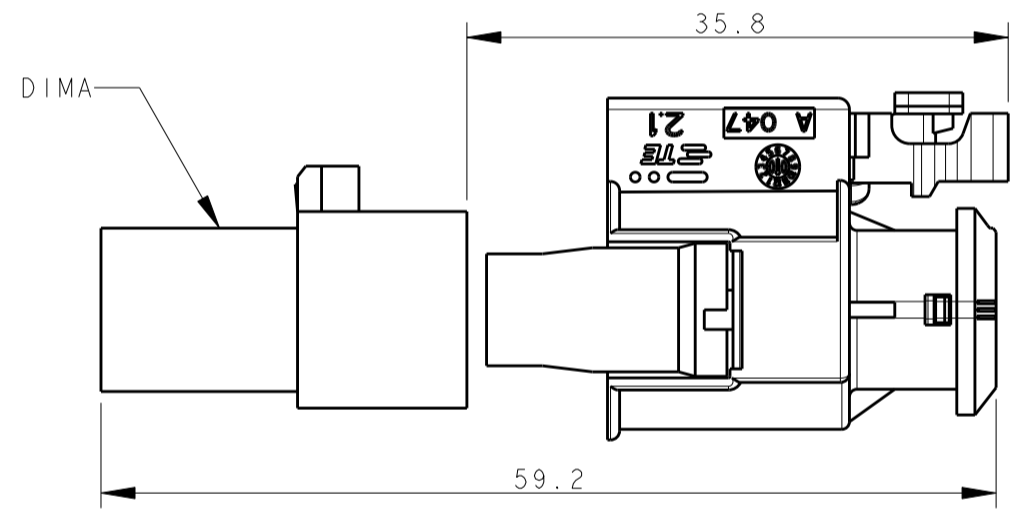
THIS DRAWING IS UNPUBLISHED. RELEASED FOR PUBLICATION 2009  
 © COPYRIGHT 2009 BY - ALL RIGHTS RESERVED.

REVISIONS					
P	LTR	DESCRIPTION	DATE	DWN	APVD
D1		ECR-15-011013	29JUL2015	M.P.	M.G.
D2		REVISED PER ECO-17-001706	10FEB2017	C.A.	M.G.
D3		REVISED PER ECO-18-005949	18DEC2017	AP	MG
D4		REVISED PER ECO-18-010705	06JUN2018	AP	VN

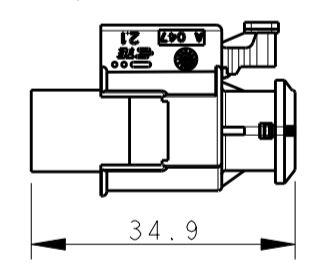


ITEM	DESCRIPTION	MATERIAL	COLOUR	Q.TY
1	HOUSING (BLOCCHETTO PORTACONTATTI)	SEE POLARIZATION KEYS TABLE	SEE POLARIZATION KEYS TABLE (VEDI TABELLA CHIAVI POLARIZZAZIONE)	1
2	CPA-CONNECTOR POSITION ASSURANCE (DISPOSITIVO CORRETTO ACCOPPIAMENTO)	PA 6.6 GF13	YELLOW (GIALLO)	1
3	SECONDARY LOCK (DISPOSITIVO AGGANCIO SECONDARIO)	PA 6.6 GF13	RED (ROSSO)	1
4	POLARIZATOR (COPERCHIO POLARIZZATORE)	PA 6.6 GF13	BLACK (NERO)	1
5	FAMILY SEAL (GUARNIZIONE MULTIPLA)	LSR	REDDISH BROWN (ROSSO MATTONE)	1
6	PERIPHERAL SEAL (GUARNIZIONE PERIFERICA)	LSR	REDDISH BROWN (ROSSO MATTONE)	1

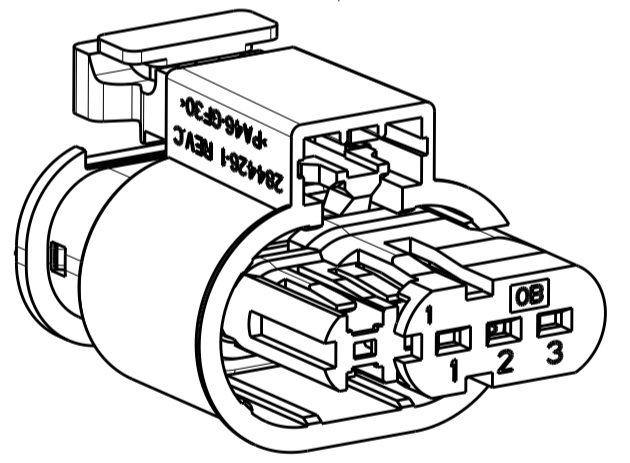
DIMENSION OF MATING SPACE WITH COUNTERPART (QUOTA D'INGOMBRO PER ACCOPPIAMENTO CON DIMA)



DIMENSION FOR FINAL MATING SPACE (QUOTA D'INGOMBRO FINALE)



SCALE 1:1



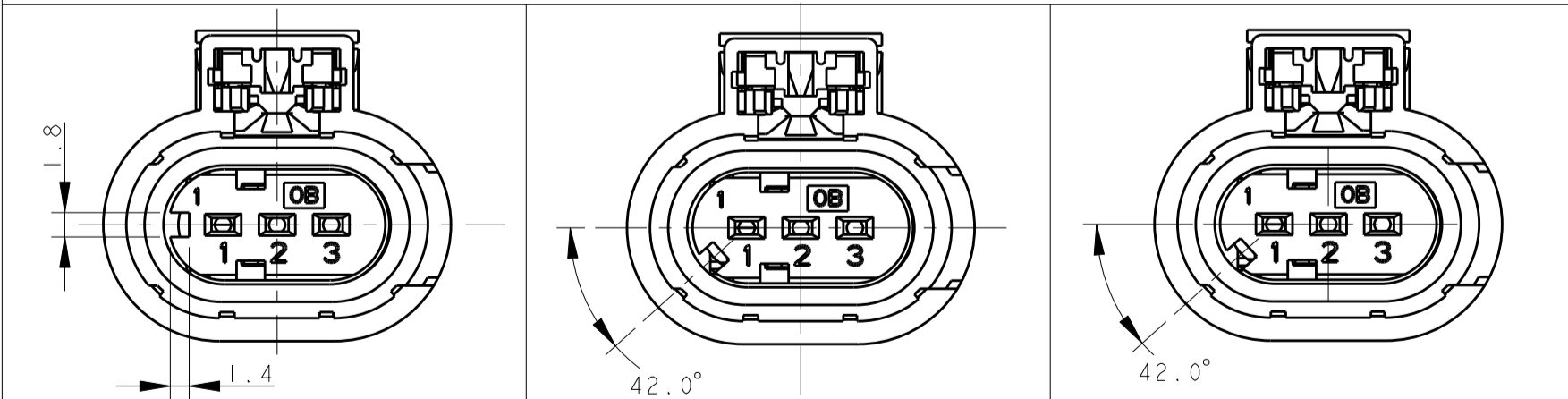
P/N 284425-1 AS SHOWN (P/N 284425-1 COME MOSTRATO)

1) ALL CAVITIES ARE SUITABLE TO INSERT RECEPTACLE CONTACTS:  
 SENSOR FLAT CONTACT P.N. 929025-1, WIRE RANGE FROM 1.5 TO 2.0 mm<sup>2</sup>  
 SENSOR FLAT CONTACT P.N. 929027-1, WIRE RANGE FROM 0.75 TO 1.0 mm<sup>2</sup>  
 BOTH CONTACTS ARE GOLD PLATED IN CONTACT AREA  
 FOR MINIMUM ACCEPTABLE CABLE INSULATION DIAMETER SEE SEALING PERFORMANCES SECTION ON PRODUCT SPECIFICATION N. 108-20207.  
 SEE APPLICATION SPEC. N. 114-18254 FOR CORRECT WIRE CRIMP PARAMETER  
 (LE CAVITA' SONO ADATTE PER INSERIRE CONTATTI:  
 SENSOR FLAT CONTACT P.N. 929025-1, RANGO FILO DA 1.5 A 2.0 mm<sup>2</sup>  
 SENSOR FLAT CONTACT P.N. 929027-1, RANGO FILO DA 0.75 A 1.0 mm<sup>2</sup>  
 ENTRAMBI I CONTATTI SONO DORATI NELLA ZONA DI CONTATTO  
 PER IL MINIMO DIAMETRO ACCETTABILE DELL'ISOLANTE VEDI PARAGRAFO 'SEALING PERFORMANCES' SU SPECIFICA DI PRODOTTO N. 108-20207.  
 VEDI SPECIFICA DI APPLICAZIONE N. 114-18254 PER LA CORRETTA AGGRAFFATURA DEL CAVO)

2) FOR COUNTERPART INTERFACE DRAWING SEE SHEET 2 OF 2 (PER IL DISEGNO D'INTERFACCIA DELLA CONTROPARTE VEDI FOGLIO 2 DI 2)

- 3 SECONDARY LOCK PRE-ASSEMBLED POSITION (POSIZIONE PRE-ASSEMBLATA DELL'AGGANCIO SECONDARIO)
- 4 CPA PRE-ASSEMBLED POSITION (CPA IN POSIZIONE PRE-ASSEMBLATA)
- 5 SECONDARY LOCK IN PROPER POSITION FOR MATING WITH COUNTERPART (AGGANCIO SECONDARIO IN POSIZIONE CORRETTA PER CONNESSIONE CON CONTROPARTE)
- 6 CPA IN CLOSED POSITION, WHEN THE CONNECTOR IS PROPERLY MATED WITH COUNTERPART (CPA IN POSIZIONE CHIUSA QUANDO IL CONNETTORE E' CORRETTAMENTE ACCOPPIATO CON CONTROPARTE)

**POLARIZATION KEYS**  
(CHIAVI DI POLARIZZAZIONE)



P/N 284425-1 REV. D BLACK COLOUR (COLORE NERO)	MATERIAL- PA 4.6 GF 30	P/N 284425-2 REV. D BLACK COLOUR (COLORE NERO)	MATERIAL- PA 4.6 GF 30	P/N 284425-3 REV. D GREY COLOUR (COLORE GRIGIO)	MATERIAL- PA 4.6 GF 30
P/N 1-284425-1 REV. D BLACK COLOUR (COLORE NERO)	MATERIAL- PBT GF 30	P/N 1-284425-2 REV. D BLACK COLOUR (COLORE NERO)	MATERIAL- PBT GF 30	P/N 1-284425-3 REV. D GREY COLOUR (COLORE GRIGIO)	MATERIAL- PBT GF 30

THIS DRAWING IS A CONTROLLED DOCUMENT. DWN P. CASSANDRIN 19MAR99  
 CHK O. CANUTO 19MAR99

**STE** TE Connectivity

NAME: 3 POSITIONS CONNECTOR FOR SPARK COIL

PRODUCT SPEC: 108-20207  
 APPLICATION SPEC: 411-20059

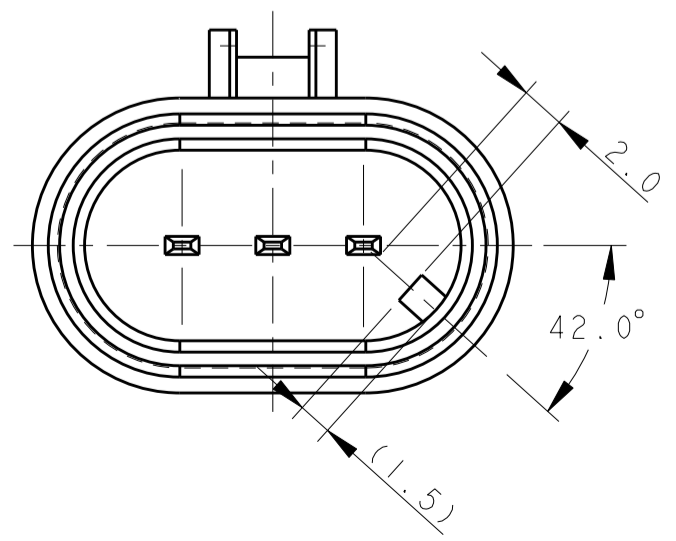
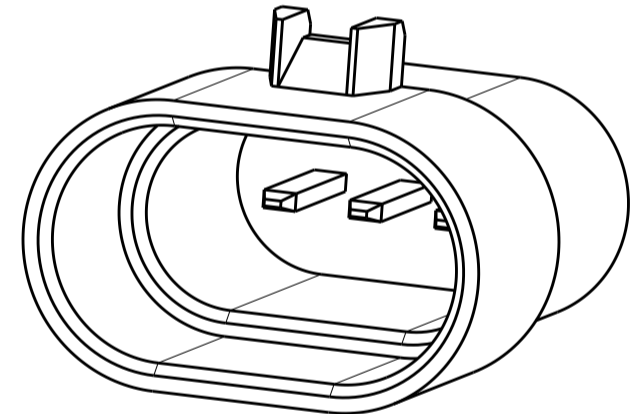
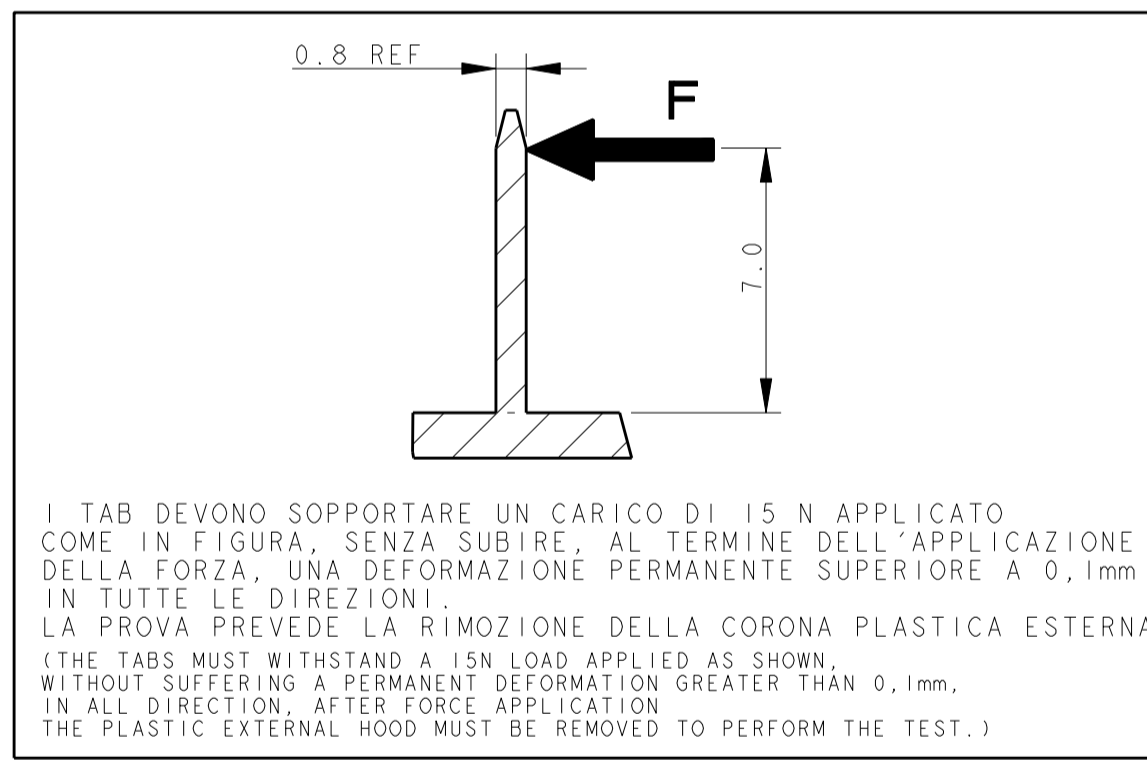
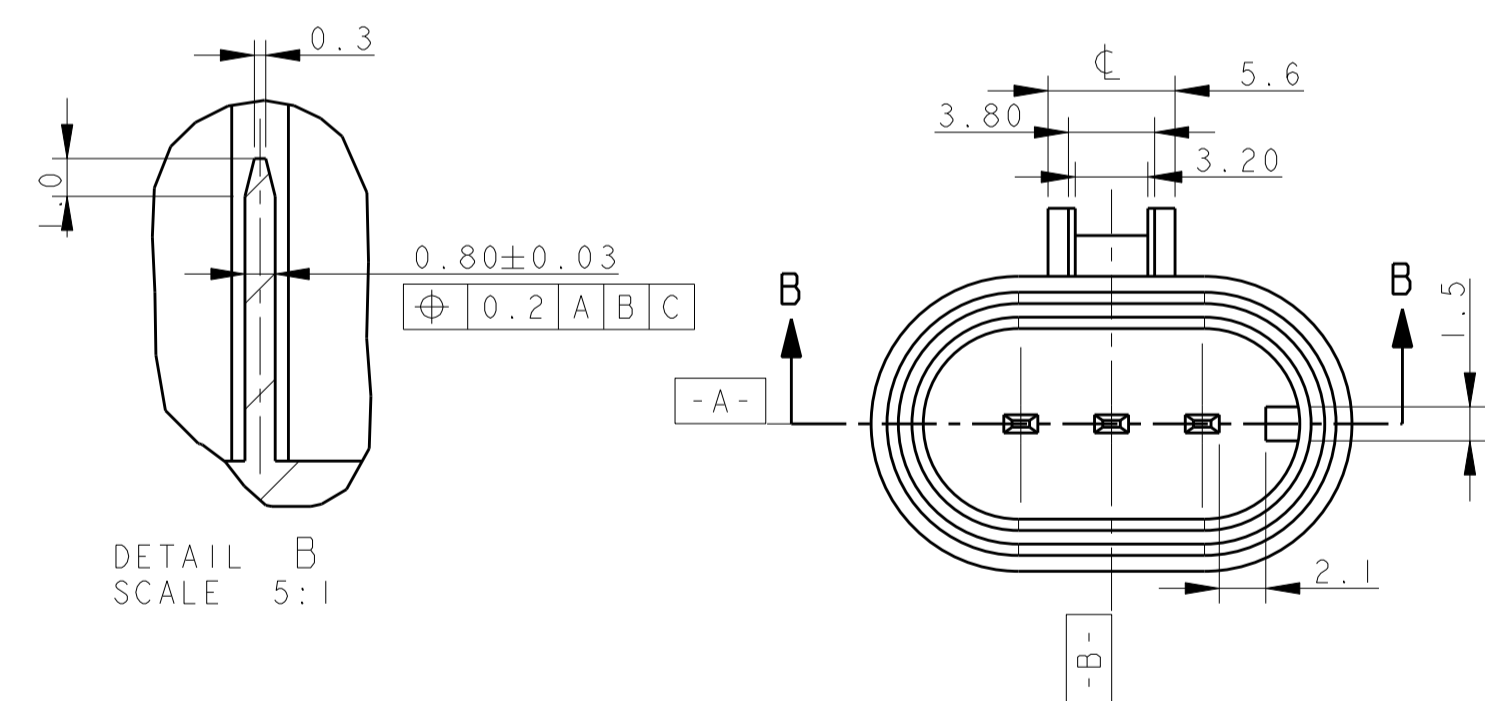
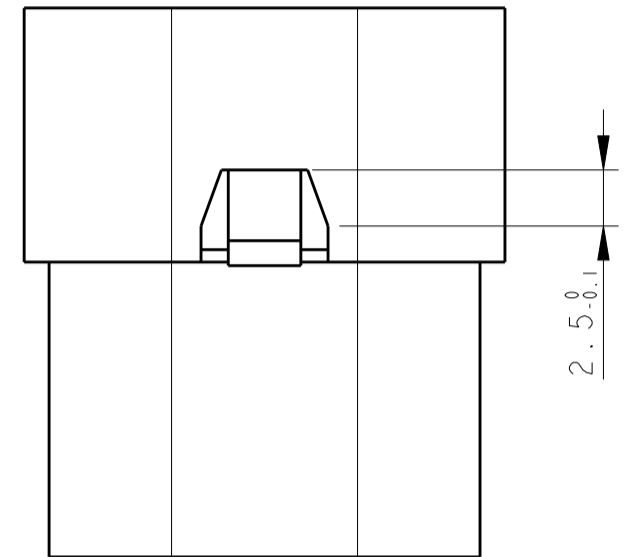
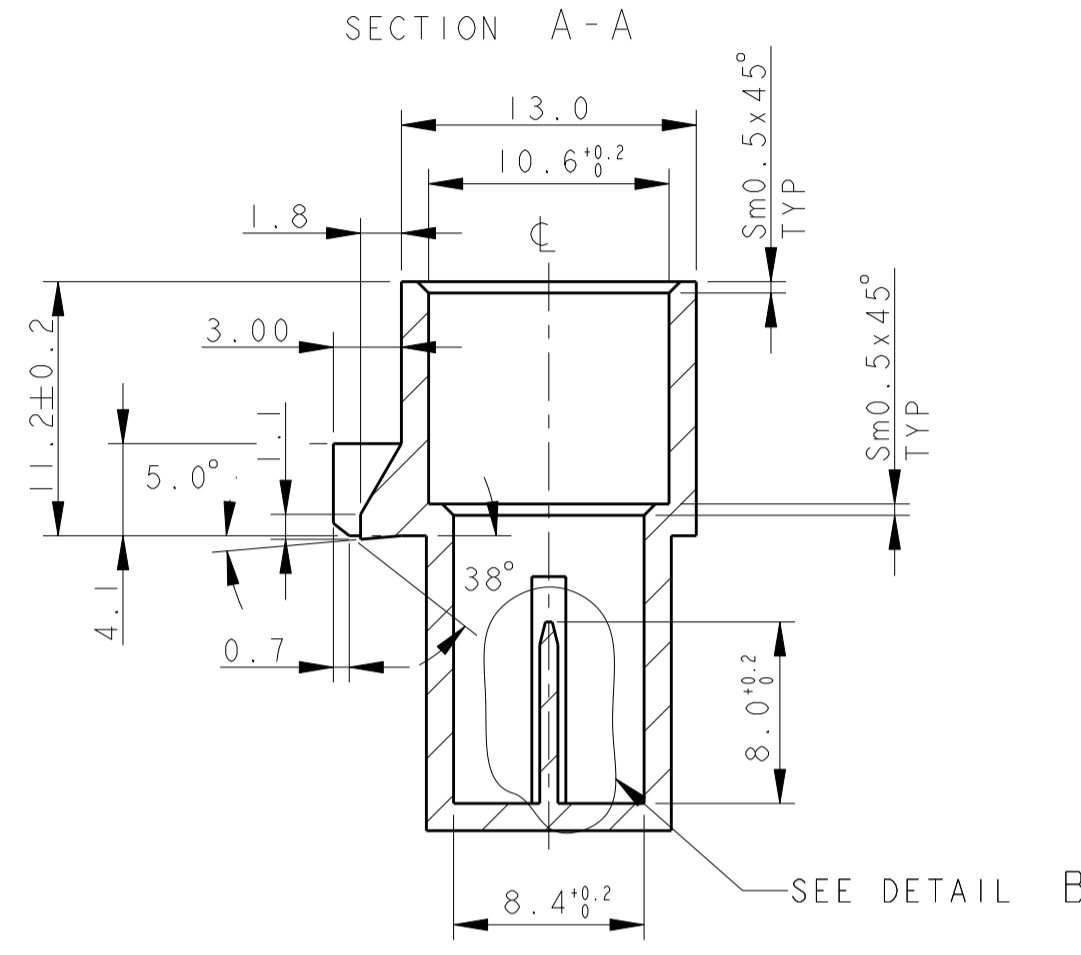
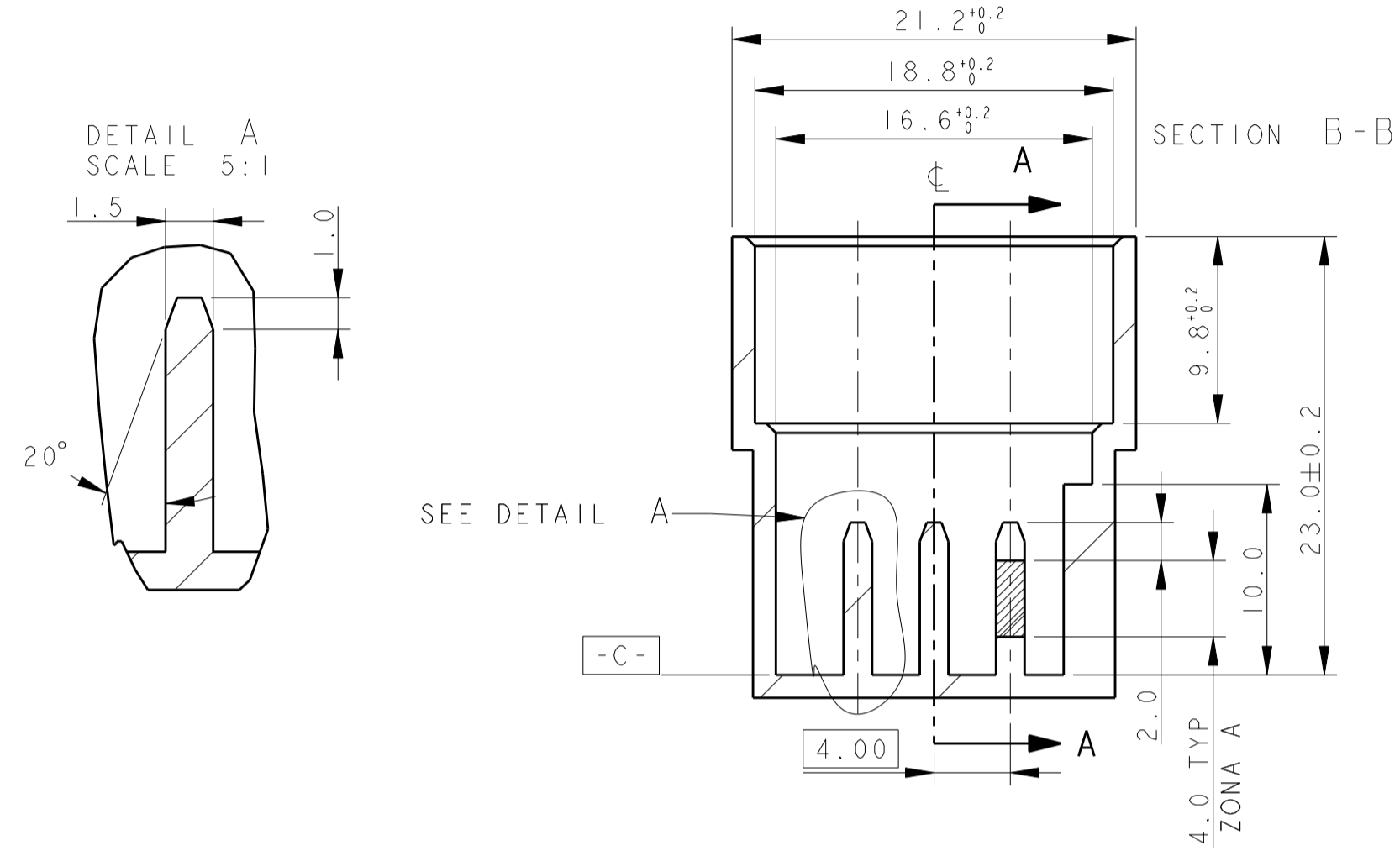
SIZE: A2 CAGE CODE: 260779 DRAWING NO: C-284425 RESTRICTED TO: 1

MATERIAL: - TOLERANCES UNLESS OTHERWISE SPECIFIED: 0 PLC ±0.3, 1 PLC ±0.2, 2 PLC ±0.1, 3 PLC ±, 4 PLC ±, ANGLES ±1, FINISH -

CUSTOMER DRAWING SCALE: 2:1 SHEET 1 OF 2 REV: D4

THIS DRAWING IS UNPUBLISHED. RELEASED FOR PUBLICATION 2009  
 © COPYRIGHT 2009 BY - ALL RIGHTS RESERVED.

REVISIONS					
P	LTR	DESCRIPTION	DATE	DWN	APVD
-		SEE SHEET 1			



-COUNTERPART INTERFACE DRAWING FOR 3 POS. SPARK COIL CONNECTOR P.N. 284425-2/-3, I-284425-2/-3 (DISEGNO DI INTERFACCIA DELLA CONTROPARTE VALIDO PER CONNETTORE SPARK COIL 3 POS. P.N. 284425-2/-3, I-284425-2/-3)  
 -IT DIFFERS FROM WHAT ABOVE FOR SHOWN DIMENSIONS (DIFFERISCE QA QUANTO SOPRA PER LE DIMENSIONI INDICATE)

MATERIALS: (MATERIALI:)  
 -BODY IN PLASTIC MATERIAL SUITABLE FOR 150°C TEMPERATURE (CORPO IN MATERIALE PLASTICO ADATTO PER TEMPERATURA DI 150°C CONTINUATIVI)  
 -TABS: BRASS WITH 0.4 micron MIN GOLD IN ZONE A OVER 1.3/3.5 micron MIN NICKEL (LINGUETTE IN OTTONE DORATO, 0.4 micron MIN DI ORO IN ZONA A SU 1.3/3.5 micron DI NICKEL)

THIS DRAWING IS A CONTROLLED DOCUMENT.		DWN P. CASSANDRIN 19MAR99	TE Connectivity	
		CHK O. CANUTO 19MAR99		
DIMENSIONS: mm		APVD -	NAME 3 POSITIONS CONNECTOR FOR SPARK COIL	
TOLERANCES UNLESS OTHERWISE SPECIFIED:		PRODUCT SPEC 108-20207	SIZE CAGE CODE DRAWING NO	
0 PLC ±0.3		APPLICATION SPEC 411-20059	A20779C-284425	
1 PLC ±0.2		WEIGHT -	RESTRICTED TO	
2 PLC ±0.1		CUSTOMER DRAWING	SCALE 2:1 SHEET 2 OF 2 REV D4	
3 PLC ±				
4 PLC ±				
ANGLES ±1				
FINISH -				