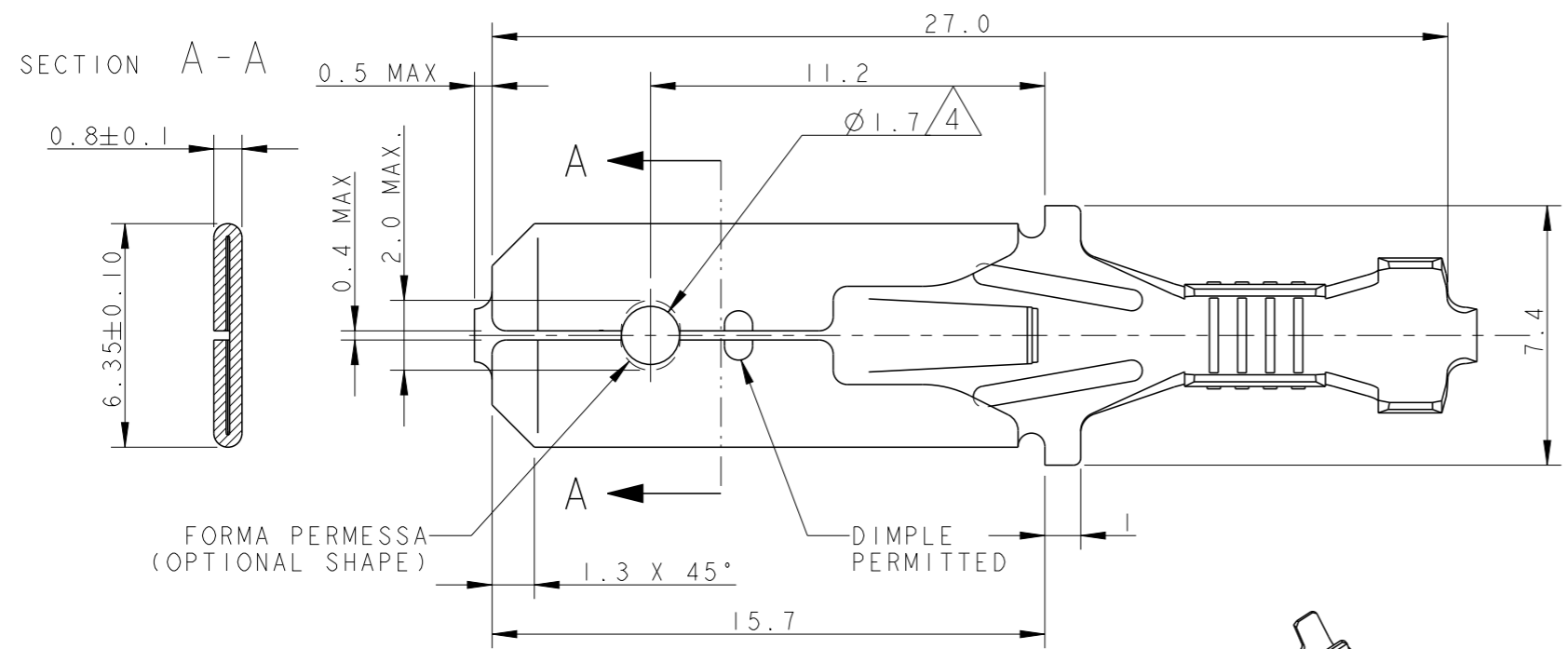
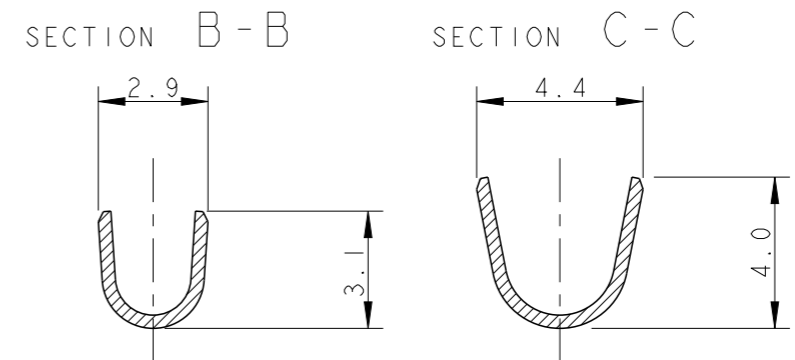
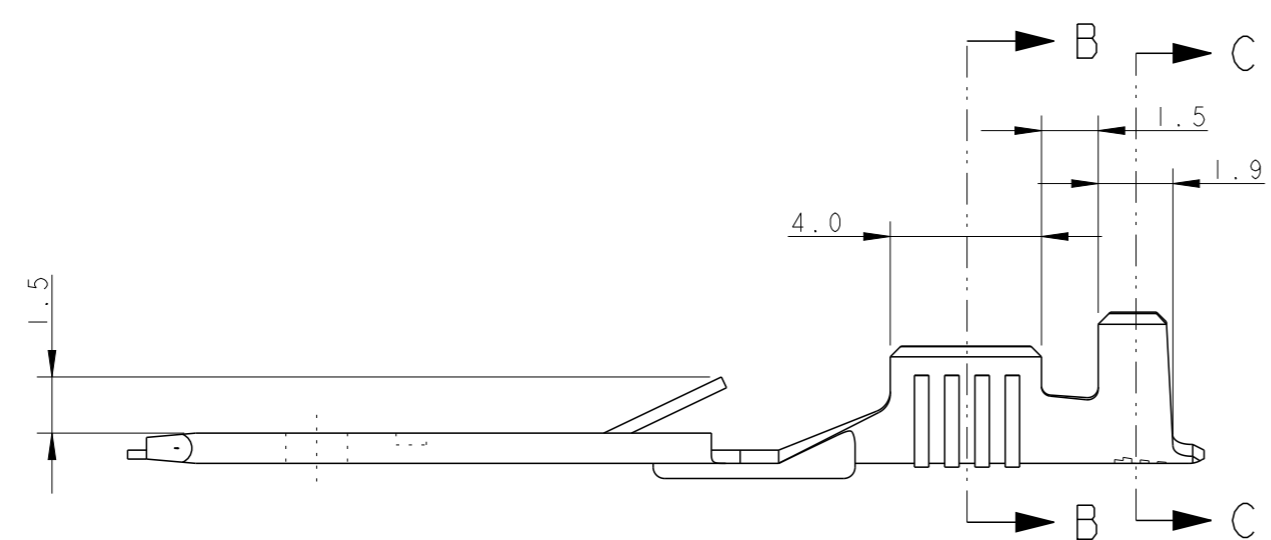
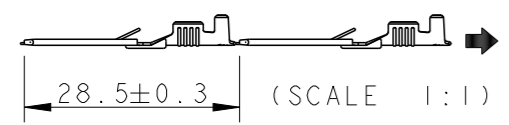


THIS DRAWING IS UNPUBLISHED. RELEASED FOR PUBLICATION 2004
 © COPYRIGHT 2004 ALL RIGHTS RESERVED.

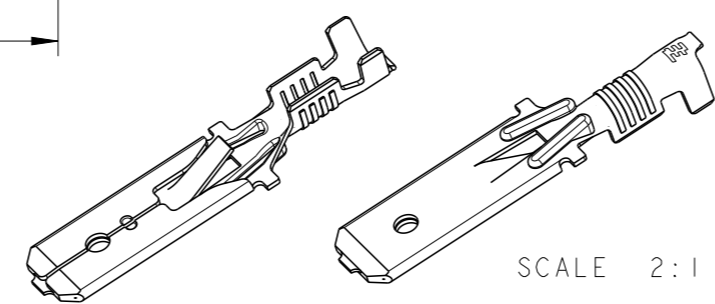
LOC	DIST	REVISIONS					
		P	LTR	DESCRIPTION	DATE	DWN	APVD
1	-	B3		REVISED PER ECO-11-005301	28MAR2011	RK	HMR
		B4		NEW PNs WITHOUT INTERLEAVE ADDED	20MAY2013	PKS	RRP
		C		PLATING INFO CORRECTED FOR 3- -2	17JUN2013	PKS	RRP



1) STATO DI FORNITURA (SUPPLY CONDITION, Scala 1:1)



SENSO DI USCITA DEL TERMINALE DALLA BOBINA (DIRECTION OFF TOP OF REEL)



- 2) BOBINATO SU BOBINA 12" CON CARTA INTERPOSTA (REELED ON 12" CARTON TYPE REEL WITH INTERLEAVE PAPER STRIP)
- 3) SPLICING STRIP PRODUCT BY SPOT WELDING PERMITTED

- 4 VERSIONI CON FORO (VERSION WITH HOLE)
- 5 REELED WITHOUT INTERLEAVE PAPER

	PRE-STAGNATO (PRE-TINNED)	OTTONE (BRASS)	3-293041-2
	NUDO (PLAIN)	OTTONE (BRASS)	3-293041-1
	PRE-STAGNATO (PRE-TINNED)	OTTONE (BRASS)	2-293041-2
	NUDO (PLAIN)	OTTONE (BRASS)	2-293041-1
	PRE-STAGNATO (PRE-TINNED)	OTTONE (BRASS)	1-293041-2
	NUDO (PLAIN)	OTTONE (BRASS)	1-293041-1
	PRE-STAGNATO (PRE-TINNED)	OTTONE (BRASS)	0-293041-2
	NUDO (PLAIN)	OTTONE (BRASS)	0-293041-1
NOTE (NOTES)	VERSIONI (VERSIONS)	FINITURA (FINISH)	MATERIALE (MATERIAL)
			NUMERO (TE P/N)

THIS DRAWING IS A CONTROLLED DOCUMENT.		DWN 04 JUL 2005 H. Yaali
DIMENSIONS: mm		CHK G. Turco
TOLERANCES UNLESS OTHERWISE SPECIFIED:		APVD -
0 PLC ±-	±0.3	PRODUCT SPEC 108-20020
1 PLC ±-		APPLICATION SPEC 114-20119
2 PLC ±-		WEIGHT -
3 PLC ±-		
4 PLC ±-		
ANGLES ±2°		
DIAM. ISOLANTE (INS. DIA. RANGE) Ø2.3 mm MAX	MATERIAL SEE TABLE	FINISH SEE TABLE
RANGO FILO (WIRE RANGE) 0.35-1.00 mm ²		

STE TE Connectivity

FASTIN-FASTON Connector,
6.3 mm SR. TAB CONTACT

SIZE A3	CAGE CODE 00779	DRAWING NO C-293041	RESTRICTED TO -
Customer Drawing		SCALE 5:1	SHEET 1 OF 1 REV C