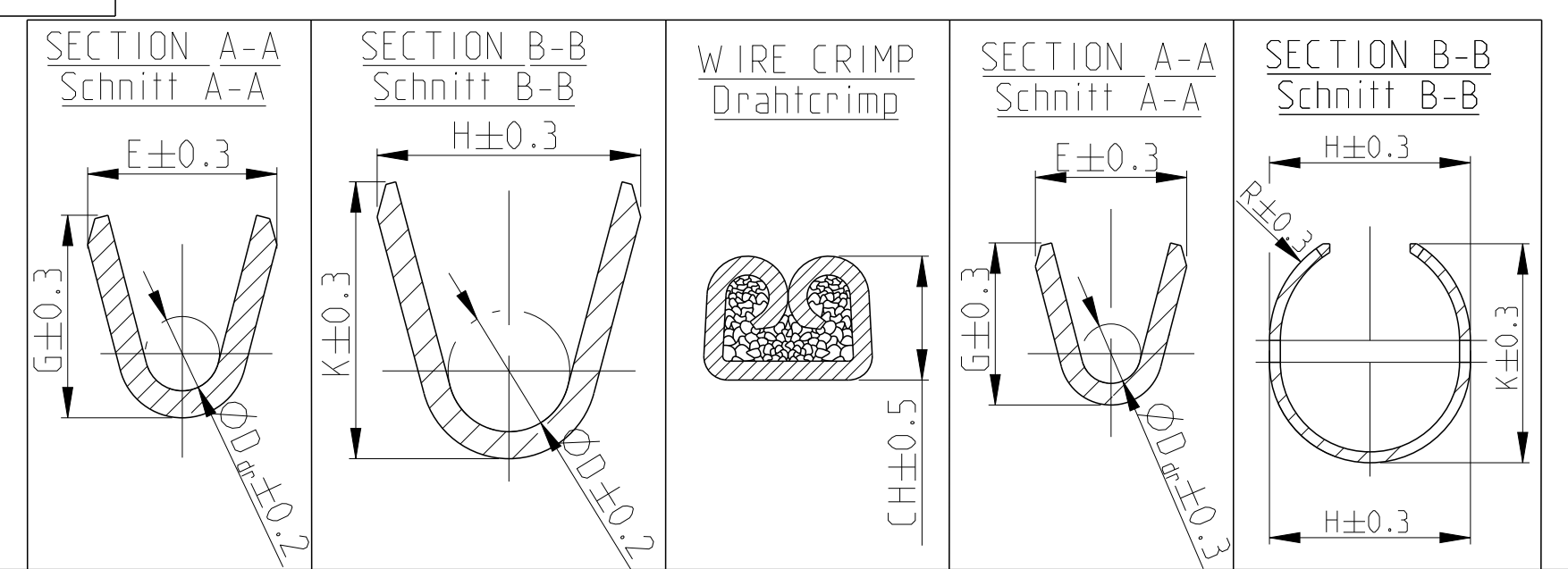
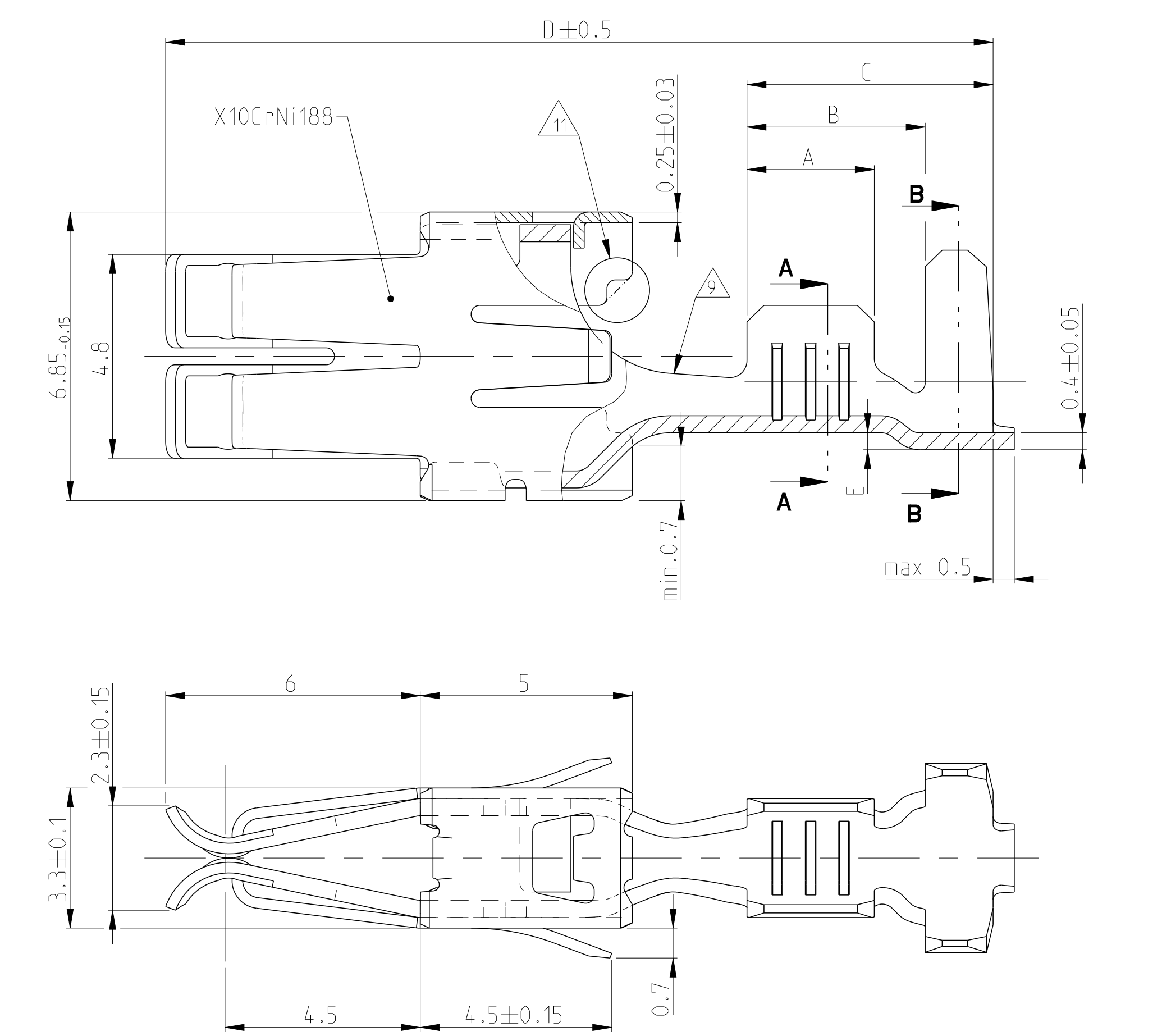


REV	DATE	DESCRIPTION	BY	CHK	APPV
B3	19980202	SEE ECR 12-016501	JS	RS	J.P.
B4	19980204	ECR-14-01055	S.K	J.R.	



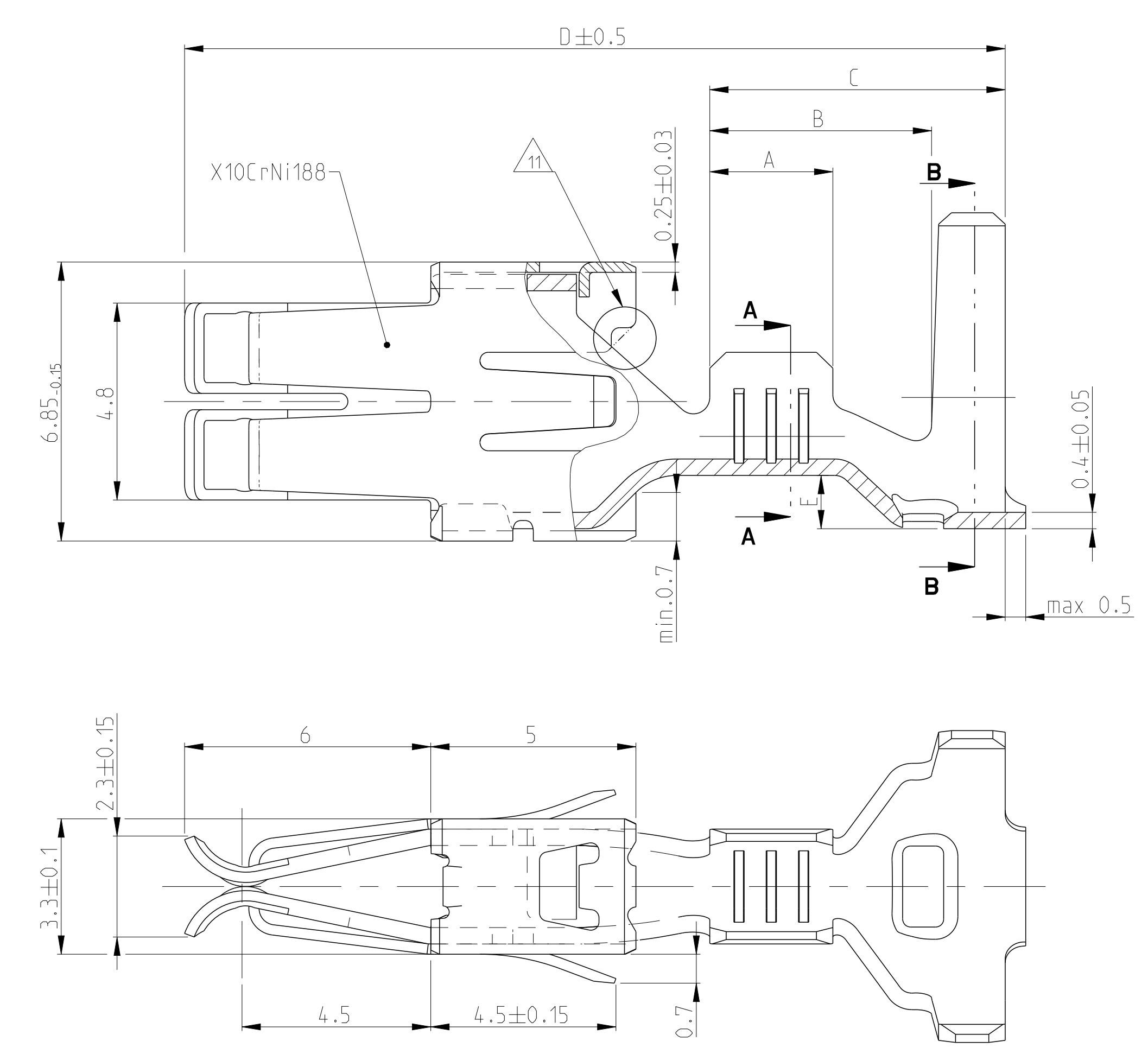
VERSION A (UNSEALED / ungedichtet)

PN	REV	TE CONNECTIVITY ORDER - NO	REV	TE CONNECTIVITY ORDER - NO	MATERIAL	SURFACE	CRIMP DIMENSIONS (mm)	CRIMP DIMENSIONS (mm)	EXTRACTION TOOL	EXTRACTION TOOL	TE CONNECTIVITY ORDER - No.	TE CONNECTIVITY ORDER - No.					
927839-5	C	928989-5	CuFe2	vorversilbert PRESILVERED	0.2 - 0.5 FLK	E = 2.2 G = 2.2 D = 0.8	H = 3.7 K = 3.8 D = 2.0	0.20mm ² = 1.13 0.25mm ² = 1.15 0.35mm ² = 1.19 0.50mm ² = 1.26	E = 2.0 G = 2.3 D = 0.8	H = 3.3 K = 3.45 R = 1.9	MQC- Applicator 878426-2	539635-1 WITH DIE: mit Matrize 539744-2	2.5	3.8	6.6	19.5	0.3
927839-2	C	928989-2	CuSn4	vorverzinkt PRE TINNED	0.5 - 1.0 FLK	E = 2.8 G = 3.0 D = 1.1	H = 4.5 K = 4.7 D = 2.4	0.5mm ² = 1.38 0.75mm ² = 1.47 1.0mm ² = 1.56	E = 2.2 G = 3.1 D = 1.1	H = 3.6 K = 4.3 R = 2.1	MQC- Applicator 2-541689-2	539733-2 WITH DIE: mit Matrize 734249-0	3	4.2	5.8	19.5	0.4
927833-5	D	927834-5	CuFe2	vorversilbert PRESILVERED	>1.0 - 2.5 FLK	E = 3.8 G = 4.1 D = 1.6	H = 5.7 K = 5.8 D = 3.6	1.5mm ² = 1.76 2.0mm ² = 1.90 2.5mm ² = 2.04	E = 3.1 G = 4.2 D = 1.7	H = 4.4 K = 5.25 R = 2.6	MQC- Applicator 878367-2	539635-1 WITH DIE: mit Matrize 539733-2	3.5	4.7	6.3	19.5	0.4
927824-2	C	927825-2	CuSn4	vorverzinkt PRE TINNED	>2.5 - 4.0 FLK	E = 4.6 G = 4.8 D = 2.4	H = 6.3 K = 6.6 D = 4.0	3.0mm ² = 2.13 3.5mm ² = 2.24 4.0mm ² = 2.35	E = 3.6 G = 4.95 D = 2.3	H = 5.5 K = 5.7 R = 3.1	MQC- Applicator 2-878314-2	539635-1 WITH DIE: mit Matrize 539734-2	4	5.2	6.8	19.5	0.6
963709-5	C	963714-5	CuFe2	vorversilbert PRESILVERED	4.0 - 6.0 FLK	E = 5.2 G = 5.5 D = 2.9	H = 7.3 K = 7.6 D = 4.5	4.0mm ² = 2.17 5.0mm ² = 2.36 6.0mm ² = 2.55	E = 4.4 G = 5.7 D = 2.9	H = 5.8 K = 6.65 R = 3.3	MQC- Applicator 2-878738-2	-	4.2	5.6	7.7	20	0.6
927840-7	C	928990-7	CuFe2	vorverzinkt PRE TINNED	0.2 - 0.5 FLR	E = 2.2 G = 2.2 D = 0.8	H = 2.8 K = 2.8 D = 1.4	0.2mm ² = 1.13 0.35mm ² = 1.19 0.5mm ² = 1.26	E = 2.0 G = 2.3 D = 0.8	H = 2.5 K = 2.7 R = 1.4	MQC- Applicator 878427-2	-	2.5	3.8	6.4	19.5	0.3
927831-5	C	927832-5	CuFe2	vorversilbert PRESILVERED	0.5 - 1.0 FLR	E = 2.8 G = 3.0 D = 1.1	H = 3.9 K = 4.1 D = 1.8	0.5mm ² = 1.43 0.75mm ² = 1.52 1.0mm ² = 1.61	E = 2.2 G = 3.1 D = 1.1	H = 3.1 K = 3.7 R = 1.8	MQC- Applicator 878328-2	169400-0 WITH DIE: mit Matrize 734781-1	3	4.2	5.8	19.5	0.4
927837-5	C	927838-5	CuFe2	vorversilbert PRESILVERED	>1.0 - 2.5 FLR	E = 3.8 G = 4.1 D = 1.6	H = 4.8 K = 4.9 D = 2.6	1.25mm ² = 1.69 1.5mm ² = 1.76 2.0mm ² = 1.90	E = 3.1 G = 4.2 D = 1.7	H = 3.8 K = 4.4 R = 2.3	MQC- Applicator 878356-2	169400-0 WITH DIE: mit Matrize 734251-0	3.5	4.7	6.3	19.5	0.4
927829-5	D	927830-5	CuFe2	vorversilbert PRESILVERED	>2.5 - 4.0 FLR	E = 4.6 G = 4.8 D = 2.4	H = 5.5 K = 5.7 D = 3.3	3.0mm ² = 2.13 3.5mm ² = 2.24 4.0mm ² = 2.35	E = 3.6 G = 4.95 D = 2.3	H = 4.4 K = 4.95 R = 2.6	MQC- Applicator 2-878384-2	169400-0 WITH DIE: mit Matrize 734251-0	4	5.2	6.8	19.5	0.6

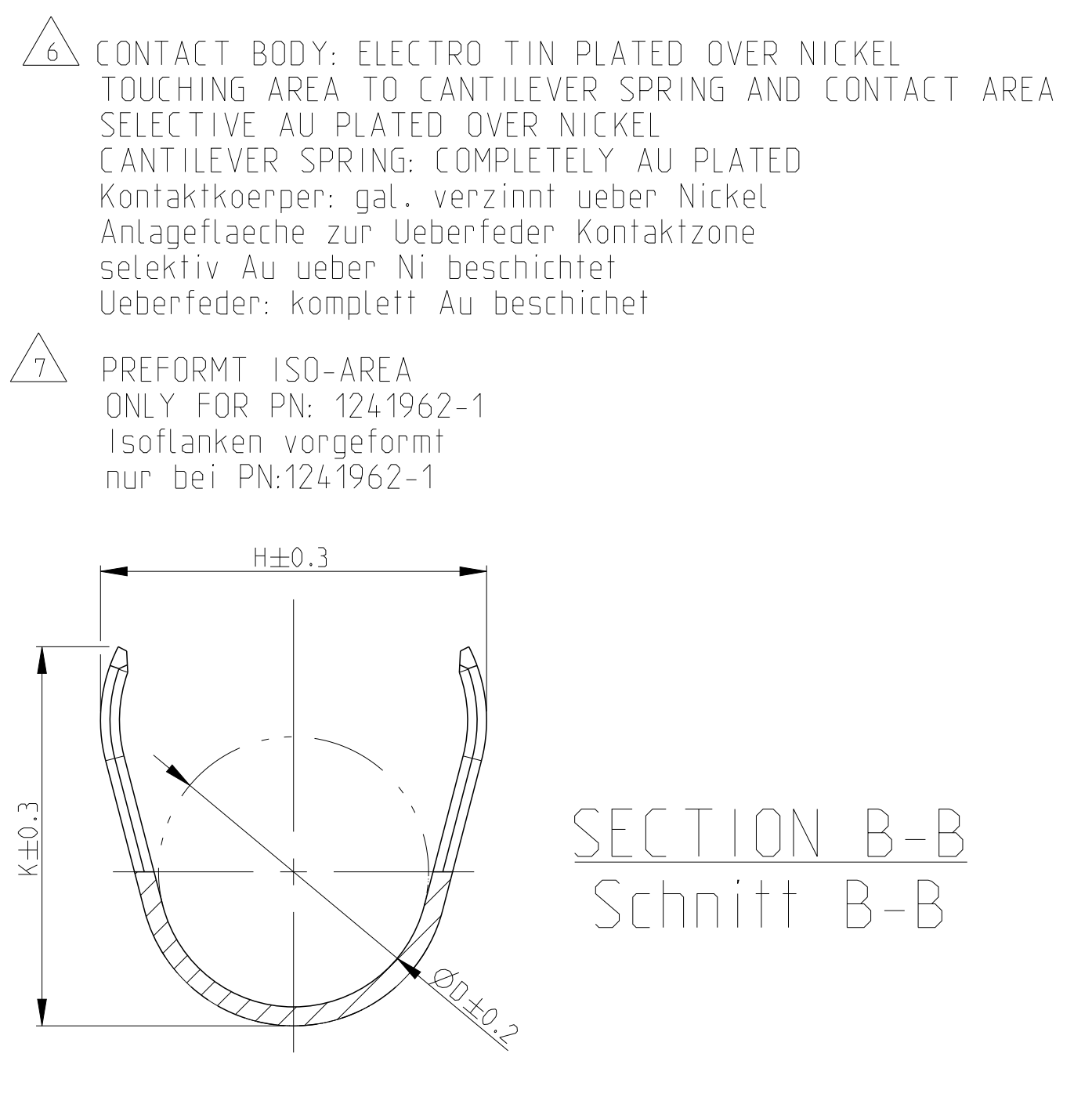


PN	REV	TE CONNECTIVITY ORDER - NO	REV	TE CONNECTIVITY ORDER - NO	MATERIAL	SURFACE	CRIMP DIMENSIONS (mm)	CRIMP DIMENSIONS (mm)	EXTRACTION TOOL	EXTRACTION TOOL	TE CONNECTIVITY ORDER - No.	TE CONNECTIVITY ORDER - No.					
927836-2	C	929922-2	CuSn4	vorversilbert PRESILVERED	0.5 - 1.0 FLR	E = 2.8 G = 3.0 D = 1.1	H = 7.6 K = 7.7 D = 5.6	0.5mm ² = 1.43 0.75mm ² = 1.52 1.0mm ² = 1.61	E = 2.2 G = 3.1 D = 1.1	H = 7.0 K = 6.9 R = 4.1	MQC- Applicator 878337-2	539635-1 WITH DIE: mit Matrize 739736-2	3	5.4	7.2	20	1.25
927835-2	C	929923-2	CuSn4	vorversilbert PRESILVERED	>1.0 - 2.5 FLR	E = 3.8 G = 4.1 D = 1.6	H = 7.6 K = 7.7 D = 5.6	1.5mm ² = 1.76 2.0mm ² = 1.90 2.5mm ² = 2.04	E = 3.1 G = 4.2 D = 1.7	H = 7.0 K = 6.9 R = 4.1	MQC- Applicator 878338-2	539635-1 WITH DIE: mit Matrize 539736-2	3.5	5.9	7.7	20	1.25
928966-2	D	929924-2	CuSn4	vorversilbert PRESILVERED	>2.5 - 4.0 FLR	E = 4.6 G = 4.8 D = 2.4	H = 7.6 K = 7.7 D = 5.6	3.0mm ² = 2.13 4.0mm ² = 2.35	E = 3.6 G = 4.95 D = 2.3	H = 7.0 K = 6.9 R = 4.1	MQC- Applicator 878441-2	539635-1 WITH DIE: mit Matrize 539736-2	4	5.9	7.7	20	1.25
1241962-1	B	1241963-1	CuFe2	vorverzinkt PRE TINNED	>3.0 - 5.0 FLR	E = 4.8 G = 5.2 D = 2.5	H = 8.15 K = 7.8 D = 6.0	3.0mm ² = 2.25 4.0mm ² = 2.50 5.0mm ² = 2.75	E = - G = - D = -	H = - K = - R = -	MQC- Applicator -	WITH DIE: mit Matrize	4	5.9	7.7	20	1.25

VERSION B (SINGLE WIRE SEAL / Einzel-Dichtungs-System)



- NOTES**
Bemerkungen
- CONTACT ZONE SELECTIVE PRE SILVER PLATED MIN 3-4.5 µm
Kontaktzone selektiv vorversilbert min. 3-4.5 µm
 - CONTACT ZONE SELECTIVE PRE SILVER PLATED MIN 1-1.5 µm
Kontaktzone selektiv vorversilbert min. 1-1.5 µm
 - CONTACT BODY: ELECTRO TIN PLATED OVER NICKEL CONTACT AREA: GOLD PLATED
Kontaktkoerper: gal. verzinkt ueber Nickel Kontaktzone: vergoldet
 - CONTACT BODY: ELECTRO TIN PLATED OVER NICKEL CONTACT AREA: SELECTIVE NICKEL PLATED 2-4 µm
Kontaktkoerper: gal. verzinkt ueber Nickel Kontaktzone: selektiv vernickelt 2-4 µm
 - CONTACT BODY: ELECTRO TIN PLATED OVER NICKEL TOUCHING AREA TO CANTILEVER SPRING: SELECTIVE AU PLATED OVER NICKEL CANTILEVER SPRING: COMPLETELY AU PLATED
Kontaktkoerper: gal. verzinkt ueber Nickel Anlageflaeche zur Ueberfeder selektiv Au ueber Ni beschichtet Ueberfeder: komplett Au beschichtet



- WRAP CRIMP ONLY FOR PN: 927839, 927840, 928989 AND 928990
Umfassungscrimp nur bei PN: 927839, 927840, 928989 und 928990
- TRANSITION ONLY FOR PN 927827, 927828, 927829, 927830, 927833, 927834, 927837, AND 927838
Uebergang nur fuer PN 927827, 927828, 927829, 927830, 927833, 927834, 927837, und 927838
- 1-3 µm Sn20M LAYER FOR HIGHER TEMPERATURE REQUIREMENTS
1-3 µm Sn20M Schicht fuer hoehere Temperaturanforderungen
- DOTTED LINE IS ALTERNATIVE SHAPE
Gestrichelte Linie alternative Form
- OBSOLETE

