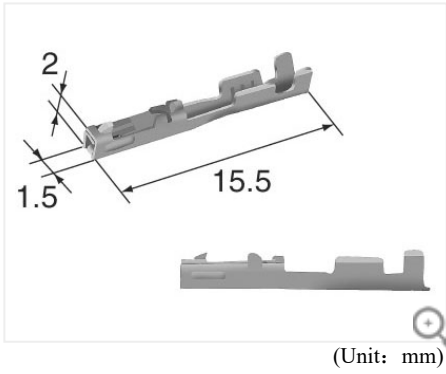


Product information



(Unit: mm)

[Contact us for products](#)

8100-4029

[HE series](#) [DL series](#)

Terminal For AV Wire

0.64mm(025)

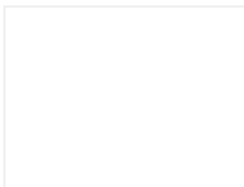
Sealed/Unsealed	unsealed
Male/Female	F
Tab Size	0.64mm(025)
Size	S
Mating parts	8100-4028 (HE series/DL series)

Applicable wire size	0.22-0.35mm ²
Cable overall diameter (mm)	0.95-1.4
Materials	Heat-resistant copper alloy
Surface treatment	Tin-plated
Contact resistance	Initial 5mΩ Max. after durability tests 10mΩ Max.
Leak current	1mA Max.
Insulation resistance	100MΩ Min.

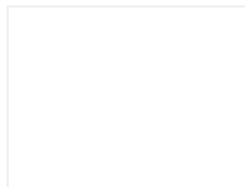
Note This part is applicable to use for both new type and old type.

HE series 0.64mm(025) related products

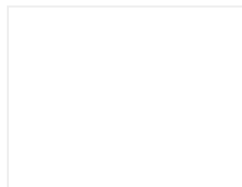
Housing (18)



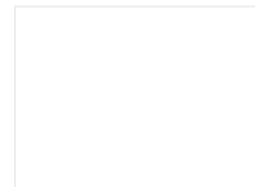
[0.64mm 6098-5071](#)



[0.64mm 6098-5833](#)



[0.64mm 6098-4978](#)



[0.64mm 6098-4979](#)

[Show all results](#)

DL series 0.64mm(025) related products

Housing (1)

