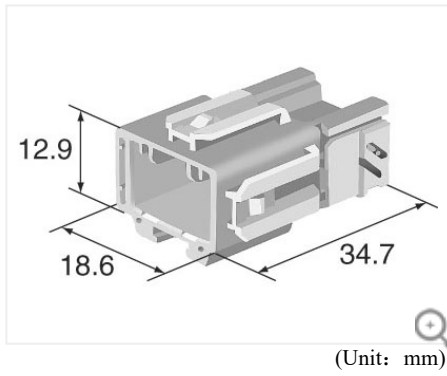


Product information



3D drawings

[Contact us for products](#)

6098-4675

HE series

Housing Inline

0.64mm(025)

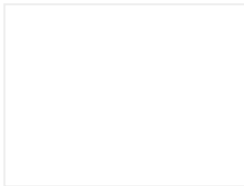
Sealed/Unsealed	unsealed
Male/Female	M
Way	12
Mating parts	6098-4640 (HE series)

Materials	PBT
Color	Natural

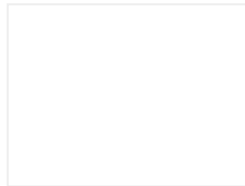
Contact resistance	Initial	5mΩ Max.
	after durability tests	10mΩ Max.
Leak current	1mA Max.	
Insulation resistance	100MΩ Min.	

HE series related products

Terminal (2)



[0.64mm 8100-4028](#)



[0.64mm 8100-4027](#)

Connector accessories (6)