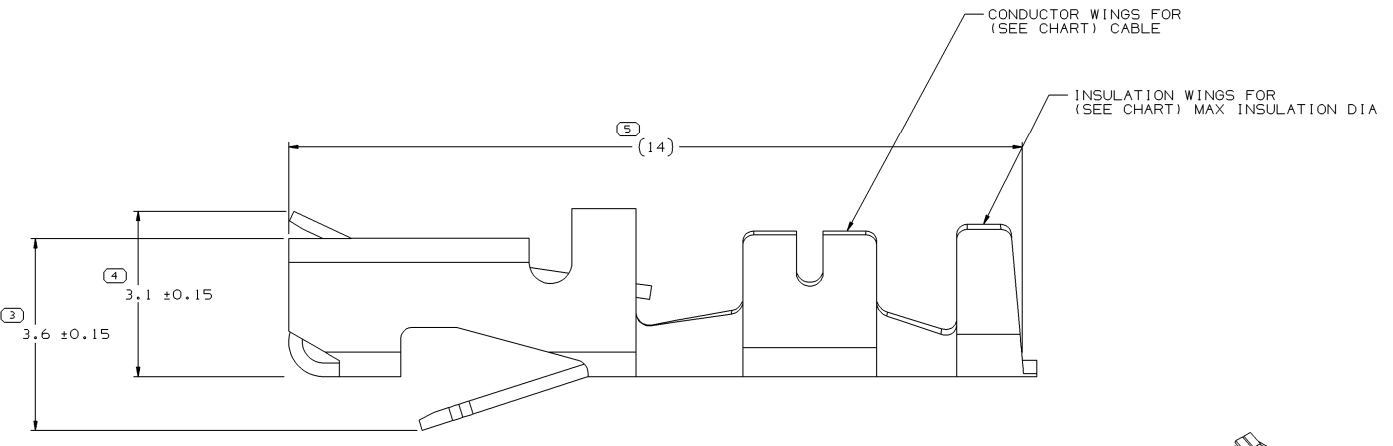
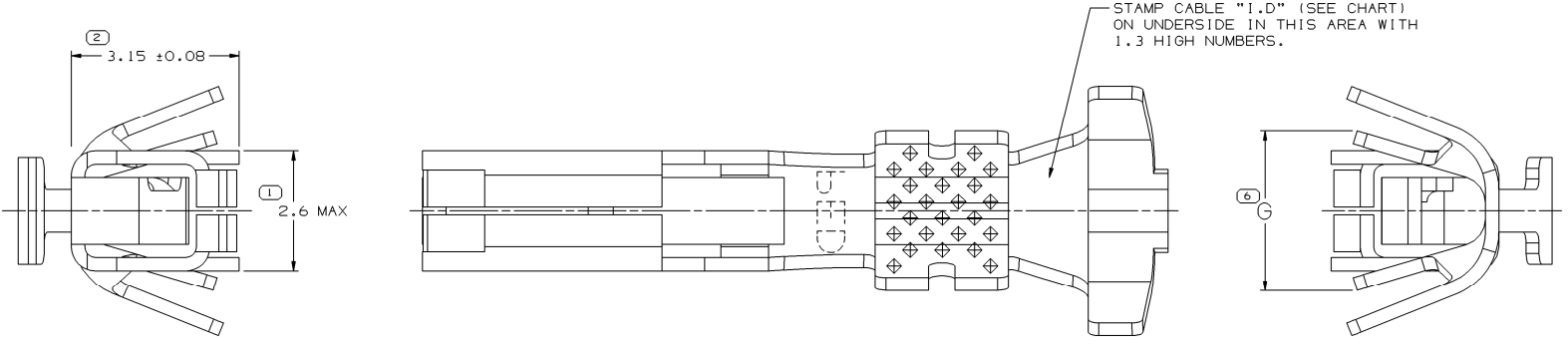


SYMBOL DEFINITION		MISSING SYMBOLS
A DIMENSION WITHOUT AN INSPECTION REPORT SYMBOL () DOES NOT REQUIRE INSPECTION. IT MAY BE CONTROLLED ON THE INDIVIDUAL COMPONENT DRAWING.	TOTAL NO OF INSPECTIONS REQUIRED	6
	LAST NO. USED	6

DWG STATUS				ZONE	REVISION HISTORY	AUTH	DR	APVD
DATE	STG	REV	N/P	CHG				
22SE04	R	01	-	-	12110236 - REDRAWN TO PD	258511	JTV	FKV
21DE05	R	02	-	-	12110236 - MAT'L SPEC WAS M3615	275905	GPS	FRG



- NOTES
- UNLESS OTHERWISE SPECIFIED AND/OR INDICATED:
DIMENSIONS ARE TO FACE OF VIEW SHOWN AND AUTOMATICALLY ROUNDED BY COMPUTER FOR INSPECTION (SEE MATH MODEL FOR PRECISE DIMENSIONS). FOR ALL OTHER DIMENSIONS NOT SHOWN BUT REQUIRED FOR TOOL BUILD, SEE MATH MODEL FOR PRECISE TOOL PATH DATA.
 - TERMINAL ENGAGE 3N TO ION TERMINAL DISENGAGE 2N TO 8N WHEN MATED TO A 0.81 THICK X 1.50 WIDE HARDENED STEEL BLADE.
 - RECOMMENDED MATING BLADE:
WIDTH :1.50
THICKNESS :0.825 ± 0.035
LENGTH :7.00

VIEW SCALE DOES NOT REFLECT ACTUAL PART SIZE

DWG TYPE		PART DRAWING	
STYLE		DISTR CODE	
VOLUME (CM ³)		D	
UNLESS OTHERWISE SPECIFIED			
THIS DOCUMENT IS IN ACCORDANCE WITH ASME Y14.5M-1994 AS AMENDED BY THE 2003 DIMENSIONING AND TOLERANCING ADDENDUM-2003. SEPARATE PATTERNS OF FEATURES MAY BE OMAED SEPARATELY REGARDLESS OF DATUM REFERENCES.			
ALL DIMENSIONS ARE IN MILLIMETERS			
REFERENCE			
(N/A) PROCESS SENSITIVE DIMENSION		THIRD ANGLE PROJECTION	
DIMENSIONS ENCLOSED IN () INDICATE REFERENCE DIMENSIONS AND NO TOLERANCE LIMITS ARE ESTABLISHED		DO NOT SCALE	
DIMENSIONAL RANGE (MM)		USE MATH DATA	
FROM	TO	UNIGRAPHICS	
0	> 12		
TOLERANCE UNLESS OTHERWISE SPECIFIED			
0.1	0.2		
ANGULAR TOLERANCE 42°			

DELPHI						
DELPHI PACKARD ELECTRIC SYSTEMS WARREN, OH						
DR	DATE					
APVD1 JOSE LUIS TAPIA	22SE04					
APVD2 FRANCISCO KOPCA	22SE04					
APVD3 BRIAN GROUBERT	24SE04					
APVD4						
APVD5						
SUBSTANCES OF CONCERN AND RECYCLED CONTENT PER DELPHI 10949001						
MATERIAL SEE CHART						
DRAWING NAME TAX1 TERM M/P 150						
DRAWING NUMBER 12085010						
SIZE	SCALE	FRAME NO	SHEET NO	STG	REV	N/P
A1	20:1	1 OF 1	1 OF 1	R	02	-

PART NO	REV	N/P	STATUS	MAT'L SIZE	MAT'L SPEC	PART NO	REV	N/P	STATUS	MAT'L SPEC	SIZE (MM ²)	DIA	ID	G _{10.2}
			UNPLATED	0.254 X 27.3		12110236	D2			M3634	1.0 - 0.8 - 0.5	2.40 - 2.03	60	3
CABLE														