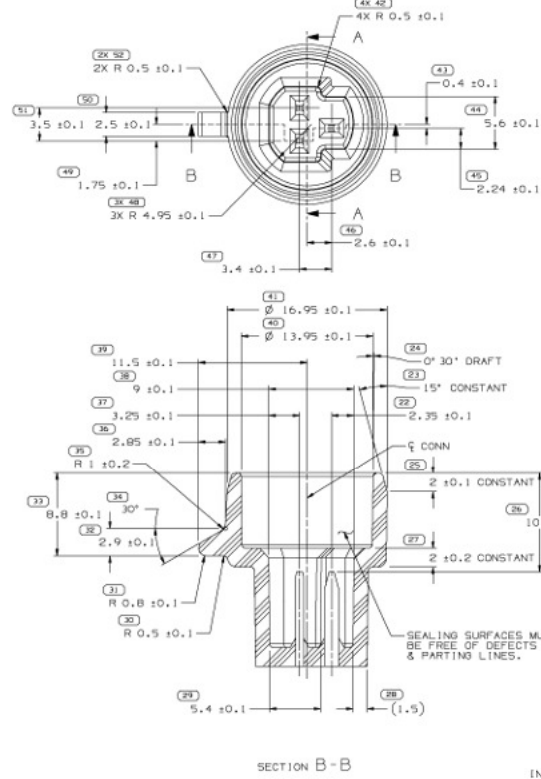
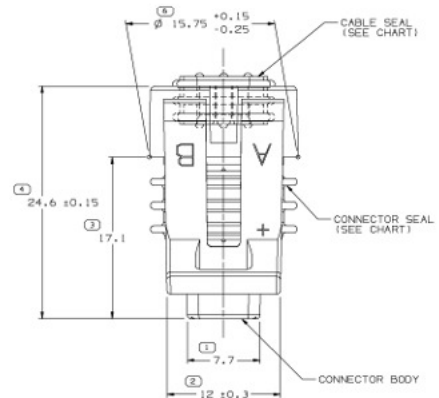


### MATING TERMINAL INFORMATION

SCALE 10:1

RECOMMENDED MATERIAL:  
P-1546 (CA210) EXTRA SPRING TEMPER-TIN PLATED BRASS  
PLATING THICKNESS: 0.005-0.003 MM  
TENSILE STRENGTH: 480-430 MPa

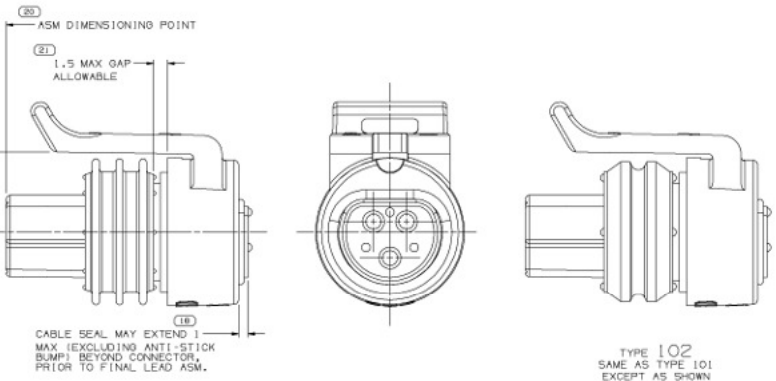
INSPECTION SYMBOLS SHOWN IN THESE VIEWS ARE FOR REFERENCE ONLY.



INSPECTION SYMBOLS SHOWN IN THESE VIEWS ARE FOR REFERENCE ONLY.

### MATING CONNECTOR INFORMATION

RECOMMENDED MATERIAL: GLASS-FILLED POLYESTER  
M-2192-001-NATURAL



TYPE 101

TYPE 102  
SAME AS TYPE 101  
EXCEPT AS SHOWN



- #### NOTES
- 1. UNLESS OTHERWISE SPECIFIED AND/OR INDICATED: DIMENSIONS ARE TO FACE OF VIEW SHOWN AND AUTOMATICALLY ROUNDED BY COMPUTER FOR INSPECTION (SEE MATH MODEL FOR PRECISE DIMENSIONS) - FOR ALL OTHER DIMENSIONS NOT SHOWN BUT REQUIRED FOR TOOL BUILD, SEE MATH MODEL FOR PRECISE TOOL PATH DATA.
  - 2. WHEN PARTS ARE SHIPPED THEY MUST BE PACKED IN PLASTIC BAGS OR SHIPPING CONTAINERS MUST BE LINED WITH PLASTIC LINERS. BAGS OR LINERS MUST BE SEALED TO AVOID ENTRY OF FOREIGN MATTER.
  - 3. SEALING CODE 3 - DESIGN WILL PASS SALT FOG AND IMMERSION TEST AFTER CONDITIONING AS SPECIFIED IN ESA-644 (WEATHER-PACK), ESA-710 (METRI-PACK), ESA-650 (UNDERHOOD MICRO-PACK), C-4006 (WORLD CONNECTOR), ETC WHEN MATED TO MATING PART OR EQUIVALENT.
  - 4. THIS PART ACCEPTS THE FOLLOWING COMPONENTS OR EQUIVALENT: CAVITIES TO ACCEPT 12047600 TERMINAL.
  - 5. FOR LEAD LENGTH CALCULATIONS, DISTANCE FROM MATING END OF CONNECTOR TO FRONT END OF CABLE CORE IS 15.10/15.70.
  - 6. FOR PART NUMBERS WITH ADHESIVE, USE PM003510 OR ADHESIVE APPROVED BY MATERIALS ENGINEERING TO GLUE CONNECTOR SEAL TO CONNECTOR.

PART NO. WITH ADHESIVE	REV	N/P	STATUS	PART NO. WITHOUT ADHESIVE	REV	N/P	STATUS	TYPE	CONNECTOR	CONNECTOR SEAL	CABLE SEAL & COLOR
12107889	B1	-	-	15452173	B1	-	-	J02	J2065296	15419070	J2065295 - RED
	-	-	-	12188827	A1	-	-	J01	J2065296	12188821	12110072 - TAN
	-	-	-	12162226	C1	-	-	J01	12162225	12052893	12078089 - PURPLE
	-	-	-	12110192	B1	-	-	J01	J2065296	12052892	12110072 - TAN
	-	-	-	12078090	C1	-	-	J01	J2065296	12052893	12078089 - PURPLE
	-	-	-	12065297	B1	-	-	J01	J2065296	12052893	12065295 - RED

DATE				PART DRAWING			
DATE	DRAWN	DATE	BY	DATE	BY	DATE	BY
DATE	SCALE	PROJECTION	DO NOT SCALE	DATE	SCALE	PROJECTION	DO NOT SCALE

<b>DELPHI</b> DELPHI PACKAGED ELECTRIC SYSTEMS		
DATE	210697	
APPROVED BY	05-JAB80	
DRAWN BY	05-JAB80	
REVISION HISTORY		
REV	DATE	DESCRIPTION

TAXI ASW COIN 3 F N/P 150

12078088