

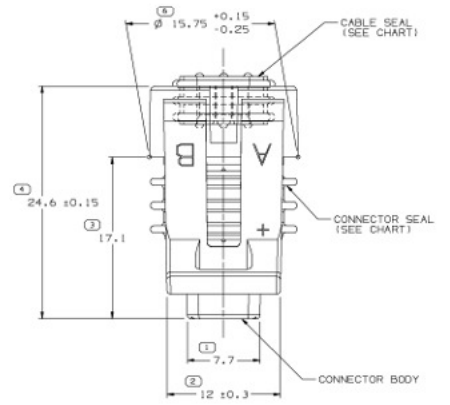
MATING TERMINAL INFORMATION
SCALE 10:1

RECOMMENDED MATERIAL:
P-1546 (CA210) EXTRA SPRING TEMPER-TIN PLATED BRASS

PLATING THICKNESS: 0.005-0.003 MM

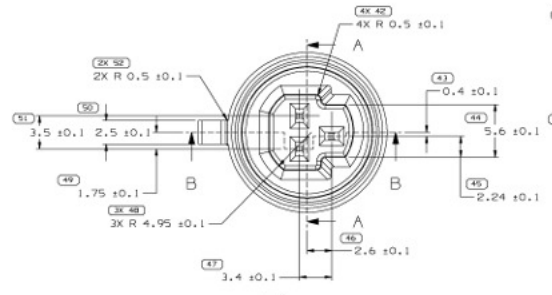
TENSILE STRENGTH: 480-430 MPa

INSPECTION SYMBOLS SHOWN IN THESE VIEWS ARE FOR REFERENCE ONLY.

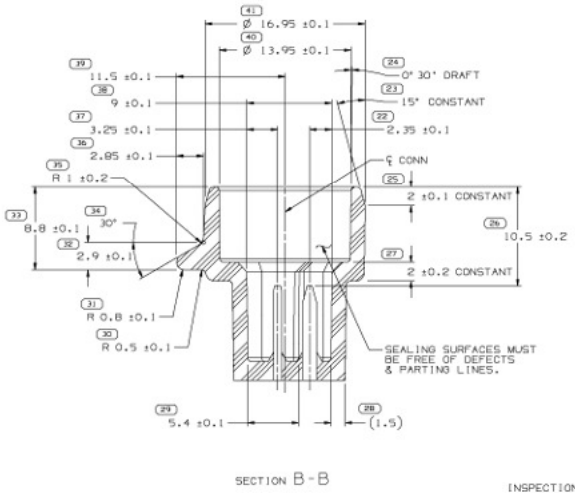


SYMBOL DEFINITION		TOTAL NO OF INSPECTIONS REQUIRED	MISSING SYMBOLS
□	A DIMENSION WITHOUT AN INSPECTION REPORT SYMBOL DOES NOT REQUIRE INSPECTION. IT MAY BE CONTROLLED ON THE INDIVIDUAL COMPONENT DRAWINGS.	77	NO MISSING SYMBOL NUMBER
			DATE: 310002
		LAST NO. USED: 64	REV: R

DATE	REV	N/P	CHK	ZONE	REVISION HISTORY	AUTH	DR	APPV
310002	R	01	-	-	CLEARED REVISION COLUMN, REDRAWN TO PD 4 15452173 - RELEASED			



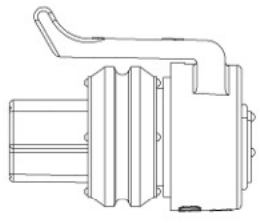
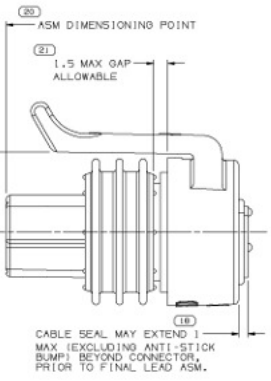
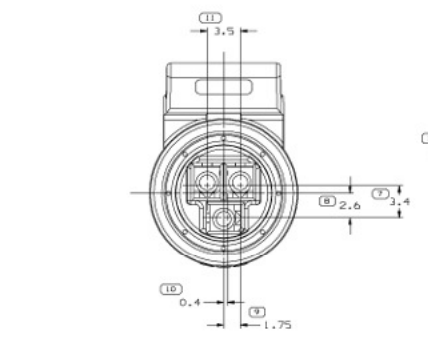
SECTION A-A



MATING CONNECTOR INFORMATION

RECOMMENDED MATERIAL: GLASS-FILLED POLYESTER M-2192-001-NATURAL

INSPECTION SYMBOLS SHOWN IN THESE VIEWS ARE FOR REFERENCE ONLY.



NOTES

- UNLESS OTHERWISE SPECIFIED AND/OR INDICATED: DIMENSIONS ARE TO FACE OF VIEW SHOWN AND AUTOMATICALLY ROUNDED BY COMPUTER FOR INSPECTION (SEE MATH MODEL FOR PRECISE DIMENSIONS). FOR ALL OTHER DIMENSIONS NOT SHOWN BUT REQUIRED FOR TOOL BUILD, SEE MATH MODEL FOR PRECISE TOOL PATH DATA.
- WHEN PARTS ARE SHIPPED THEY MUST BE PACKED IN PLASTIC BAGS OR SHIPPING CONTAINERS MUST BE LINED WITH PLASTIC LINERS. BAGS OR LINERS MUST BE SEALED TO AVOID ENTRY OF FOREIGN MATTER.
- SEALING CODE 3 - DESIGN WILL PASS SALT FOG AND IMMERSION TEST AFTER CONDITIONING AS SPECIFIED IN ESA-644 (WEATHER-PACK), ESA-710 (METRI-PACK), ESA-650 (UNDERHOOD MICRO-PACK), C-4006 (WORLD CONNECT), ETC WHEN MATED TO MATING PART OR EQUIVALENT.
- THIS PART ACCEPTS THE FOLLOWING COMPONENTS OR EQUIVALENT: CAVITIES TO ACCEPT 12047680 TERMINAL.
- FOR LEAD LENGTH CALCULATIONS, DISTANCE FROM MATING END OF CONNECTOR TO FRONT END OF CABLE CORE IS 15.10/15.70.
- FOR PART NUMBERS WITH ADHESIVE, USE PM003510 OR ADHESIVE APPROVED BY MATERIALS ENGINEERING TO GLUE CONNECTOR SEAL TO CONNECTOR.



PART NO. WITH ADHESIVE	REV N/P	STATUS	PART NO. WITHOUT ADHESIVE	REV N/P	STATUS	TYPE	CONNECTOR	CONNECTOR SEAL	CABLE SEAL & COLOR
12107889	B1	-	15452173	B1	-	J02	J2065296	15419070	J2065295 - RED
			12186627	A1	-	J01	J2065296	12186621	12110072 - TAN
			12162226	C1	-	J01	12162225	12052893	12078089 - PURPLE
			12110192	B1	-	J01	J2065296	12052893	12110072 - TAN
			12078090	C1	-	J01	J2065296	12052893	12078089 - PURPLE
			12065297	B1	-	J01	J2065296	12052893	12065295 - RED



DELPHI PACKAGED ELECTRIC SYSTEMS

DATE	REV	DATE
310002	R	310002

DR	DATE
APRIL J. REEVES	210687
APRIL T. MURPHY	05JAB8
APRIL W. CANNETT	05JAB8

12078088