
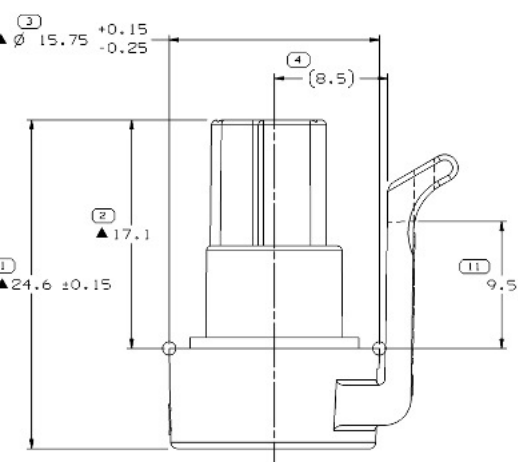
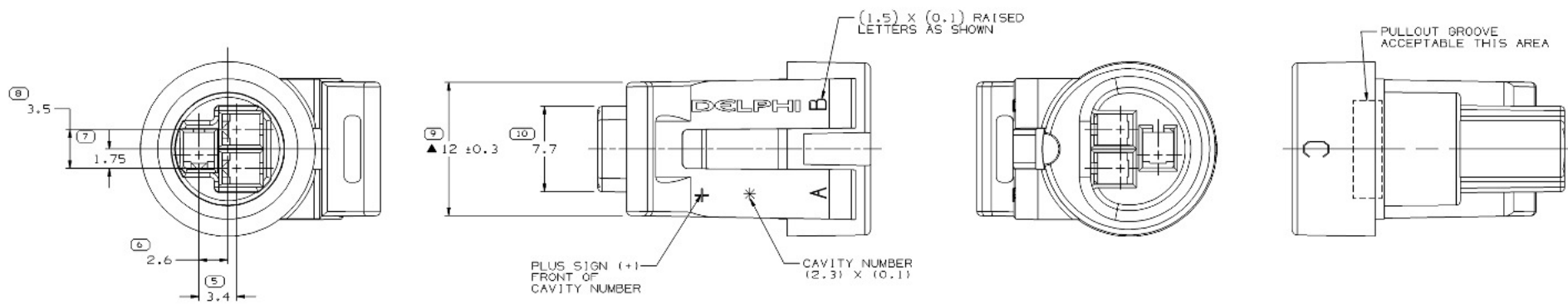


SYMBOL DEFINITION		MISSING SYMBOLS	
A DIMENSION WITHOUT AN INSPECTION REPORT SYMBOL  DOES NOT REQUIRE INSPECTION. IT MAY BE CONTROLLED ON THE INDIVIDUAL COMPONENT DRAWING.	TOTAL NO OF INSPECTIONS REQUIRED	NO MISSING SYMBOL NUMBER	11
	LAST NO. USED		11

DWG STATUS				ZONE		REVISION HISTORY		AUTH		APVD	
DATE	STG	REV	N/P	DWG				DR	DR	APVD 1	APVD 2
18JAO5	R	01	-	-		CREATED PD		263490	RH	RH	DB



- NOTES:
- ALL RADIUS 0.40, UNLESS OTHERWISE SPECIFIED.
 - UNLESS OTHERWISE SPECIFIED AND/OR INDICATED: DIMENSIONS ARE TO FACE OF VIEW SHOWN AND AUTOMATICALLY ROUNDED BY COMPUTER FOR INSPECTION. (SEE MATH MODEL FOR PRECISE DIMENSION) FOR ALL OTHER DIMENSIONS NOT SHOWN BUT REQUIRED FOR TOOL BUILD, SEE MATH MODEL FOR PRECISE TOOL PATH DATA.
 - 1° DRAFT ON ALL OUTSIDE SURFACES, UNLESS OTHERWISE SPECIFIED.
 - CAVITIES ARE IDENTICAL.
 - CAVITIES TO ACCEPT 12047680 TERMINAL OR EQUIVALENT.
 - MATING CONNECTOR - THROTTLE POSITION SENSOR OR EQUIVALENT.
 - MATING SEALS - 12052893 & 12065285.
 - THIS CONNECTOR LIMITED TO A MAX INSULATION CRIMP OF 2.54 HIGH X 2.68 WIDE.
 - THIS COMPONENT IS TOoled OR USED AT REINSHAGEN. PHYSICAL CHANGES TO THIS PART MUST FIRST BE APPROVED BY REINSHAGEN COMPONENT ENGINEERING.
 - THIS PART IS CONTROLLED FOR AUTOMATIC FEEDING AS DENOTED ON DRAWING WITH ▲.
 - PARTS SHOWN ON THIS DRAWING USED IN ASSEMBLIES SHOWN ON TAXI 12078088.
 - MATERIAL RECYCLING CODE PER ISO 11469. (1)X(0.1) CHARACTERS AS SHOWN TO BE LOCATED ON ANY EXTERIOR SURFACE.
 - (1)X(0.1) DELPHI CORPORATE BRAND TO BE LOCATED ON ANY EXTERIOR SURFACE, PREFERABLY VISIBLE AT FINAL ASSEMBLY. OPTIONAL CONSTRUCTION TO BE "PED".



PART NO	REV	N/P	STATUS	MATERIAL SPECIFICATION AND COLOR	VOLUME CM³
12162225	E1			M3586001 PA46 HS 1W - NAT	2.001
12065286	E1			M3592001 PA66 HS 1W - BLK	2.001

DIMENSIONAL RANGE (MM)		CHART E1	
FROM	TO	>	>
0	20	30	70
20	30	70	100
30	70	100	150
70	100	150	200
100	150	200	250
150	200	250	300
200	250	300	400

TOLERANCE UNLESS OTHERWISE SPECIFIED

ANGULAR TOLERANCE °

DELPHI
DELPHI PACKARD ELECTRIC SYSTEMS
WARR, OH

DR: ROBERT HURD
APVD: ROBERT HURD
APVD: BRIAN GROUBERT
APVD:

DATE: 18JAO5
DATE: 18JAO5
DATE: 20JAO5

UNLESS OTHERWISE SPECIFIED
THIS DOCUMENT IS IN ACCORDANCE WITH ASME Y14.5M-1994 AS MODIFIED BY THE OH GLOBAL DIMENSIONING AND TOLERANCING STANDARD (DGS). SEPARATE PATTERNS OF FEATURES MAY BE AWED SEPARATELY REGARDLESS OF DATUM REFERENCES.

ALL DIMENSIONS ARE IN MILLIMETERS

THIRD ANGLE PROJECTION

DO NOT SCALE
USE MATH DATA

UNIVERSITY MICROFILMS

DELPHI
DELPHI PACKARD ELECTRIC SYSTEMS
WARR, OH

DR: ROBERT HURD
APVD: ROBERT HURD
APVD: BRIAN GROUBERT
APVD:

DATE: 18JAO5
DATE: 18JAO5
DATE: 20JAO5

UNLESS OTHERWISE SPECIFIED
THIS DOCUMENT IS IN ACCORDANCE WITH ASME Y14.5M-1994 AS MODIFIED BY THE OH GLOBAL DIMENSIONING AND TOLERANCING STANDARD (DGS). SEPARATE PATTERNS OF FEATURES MAY BE AWED SEPARATELY REGARDLESS OF DATUM REFERENCES.

ALL DIMENSIONS ARE IN MILLIMETERS

THIRD ANGLE PROJECTION

DO NOT SCALE
USE MATH DATA

UNIVERSITY MICROFILMS

SIZE	SCALE	FRAME NO	SHEET NO	STG	REV	N/P
A1	5:1	1	1	OF 1	R	01