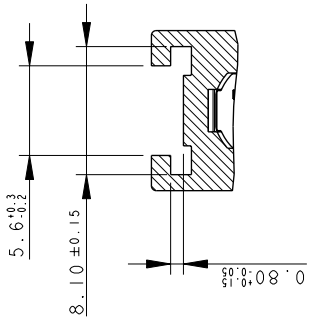
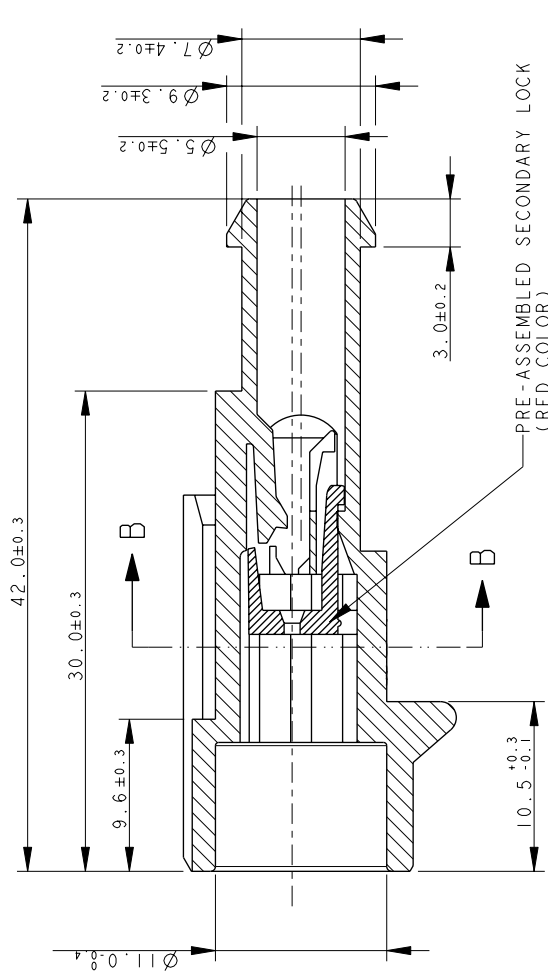
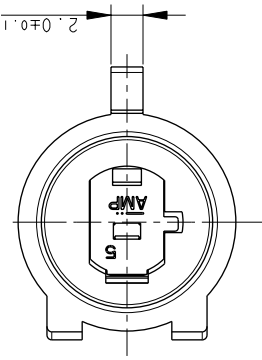
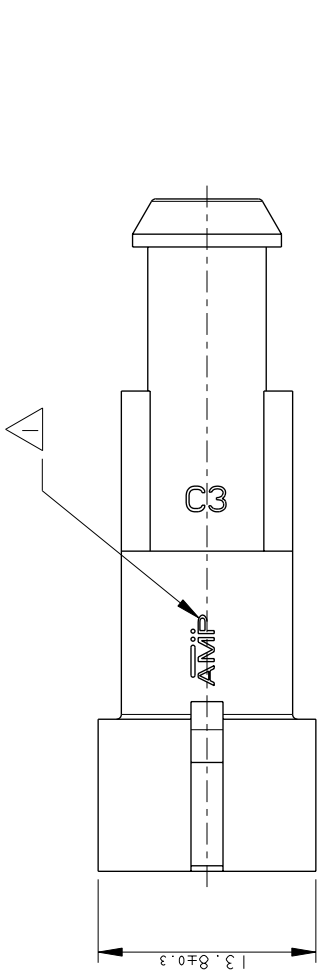


THIS DRAWING IS UNPUBLISHED.		RELEASED FOR PUBLICATION		2009	
BY TYCO ELECTRONICS CORPORATION. ALL INTERNATIONAL RIGHTS RESERVED.					
LOC	DIST	REVISONS			
I	-	P	LTR	DATE	DWN
		B		02MAR2010	M. G.
					M. G.



PART. SECTION B - B

GRAY	PA66-GF	282103-2
BLACK	PA66-GF	282103-1
FINISH/COLOR	MATERIAL	PART NUMBER

THIS DRAWING IS A CONTROLLED DOCUMENT FOR TYCO ELECTRONICS CORPORATION. IT IS SUBJECT TO THE TERMS AND CONDITIONS OF THE LICENSE AGREEMENT. IT IS SUBJECT TO THE TERMS AND CONDITIONS OF THE LICENSE AGREEMENT.

DWN	C. BERTINI	02-1990	Tyco Electronics	Tyco Electronics AMP Italia S.r.l.
CHK	A. BRUNI	02-1990	NAME	AMP SUPERSEAL I.5 SRS. I POSITION TAB ASS'Y
APVD	-	-	PRODUCT SPEC	108-20090
			APPLICATION SPEC	-
			WEIGHT	-
			FINISH	±2°

TOLEANCES UNLESS OTHERWISE SPECIFIED:

0	PLC	±-
1	PLC	±0.3
2	PLC	±-
3	PLC	±-
4	PLC	±-
	ANGLES	±-
	FINISH	-

DIMENSIONS: mm

MATERIAL: -

SIZE CAGE CODE DRAWING NO
A300779 ©=282103

RESTRICTED TO

CUSTOMER DRAWING

SCALE 3:1 SHEET 1 OF 1 REV B

△ LOGO "AMP" O, IN ALTERNATIVA, LOGO TYCO ELECTRONICS ("AMP" TRADE MARK OR, IN ALTERNATIVE, TYCO ELECTRONICS TRADE MARK)