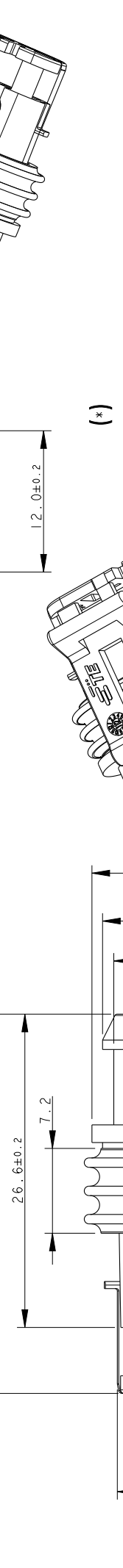


P	LTR	DESCRIPTION	DATE	DWN	APVD
C2		ADDED FSL SEAL VERSION (ECO-15-016364)	13NOV2015	M. G.	M. G.
C3		REVISED PER ECO-17-001706	10FEB2017	C. A.	M. G.



FINISH/COLOR	MATERIAL	PART NUMBER
GRAY	HOUSING+SEC. LOCK: PA 66-GF SEALING: FSL	1-282087-2 (*)
BLACK	HOUSING+SEC. LOCK: PA 66-GF SEALING: LSR	1-282087-1 (*)
GRAY	HOUSING+SEC. LOCK: PA 66-GF	282087-2
BLACK	HOUSING+SEC. LOCK: PA 66-GF	282087-1

1) FOR COUNTERPART DETAILS, SEE SHEET 2 OF 2

THIS DRAWING IS A CONTROLLED DOCUMENT.

DWN: 07-1990  
C. BERTINI  
CHK: 07-1990  
A. BRUNJ  
APVD: -

NAME: TE Connectivity

PRODUCT SPEC: 108-20090  
APPLICATION SPEC: 412-20000  
WEIGHT: 3.65gr

TOLERANCES UNLESS OTHERWISE SPECIFIED:  
0 PLC ±.  
1 PLC ±0.3  
2 PLC ±.  
3 PLC ±.  
4 PLC ±.  
ANGLES ±2°

FINISH: -

MATERIAL: -

SEE TABLE

SEE TABLE

SEE TABLE

SCALE: 3:1 SHEET 1 OF 2 REV C3

AMP SUPERSEAL 1.5 SRS;  
3 POSITIONS PLUG ASS'Y

RESTRICTED TO

SIZE: A300779C=282087  
CAGE CODE: 282087

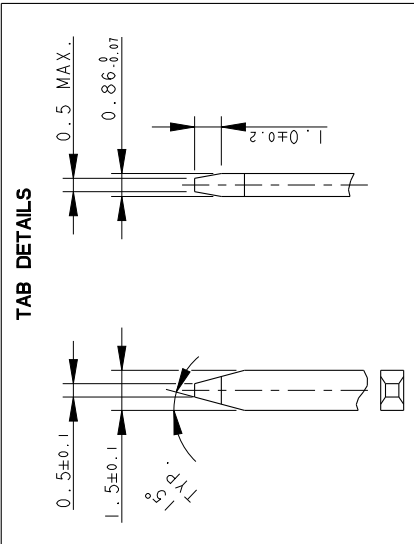
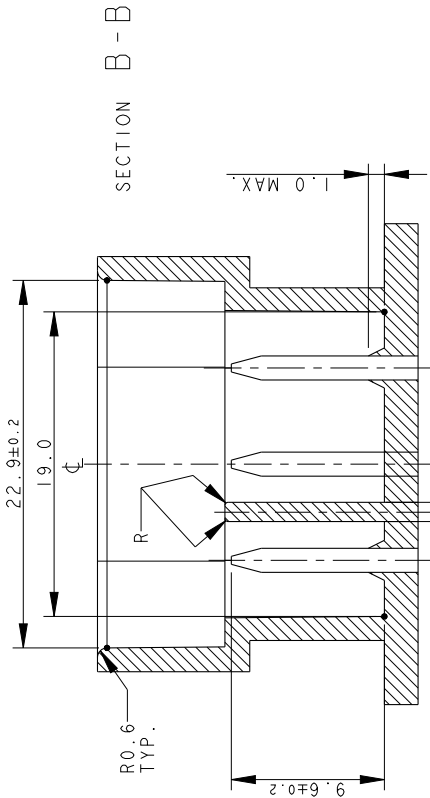
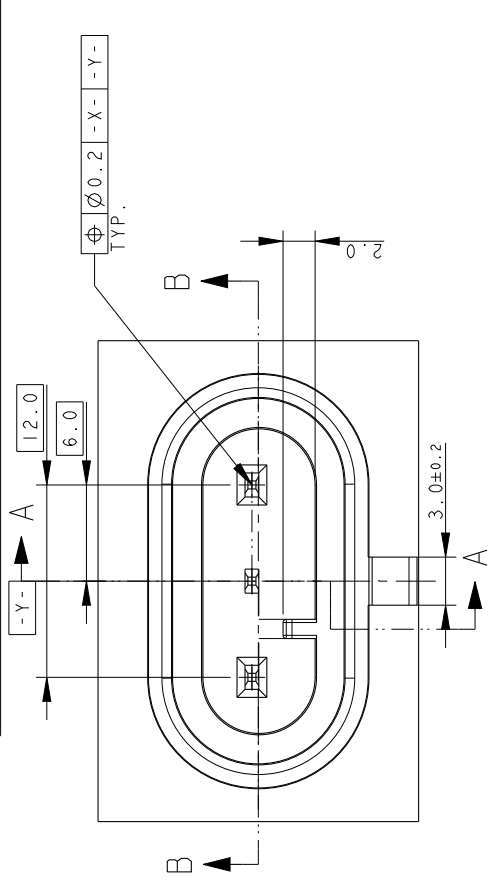
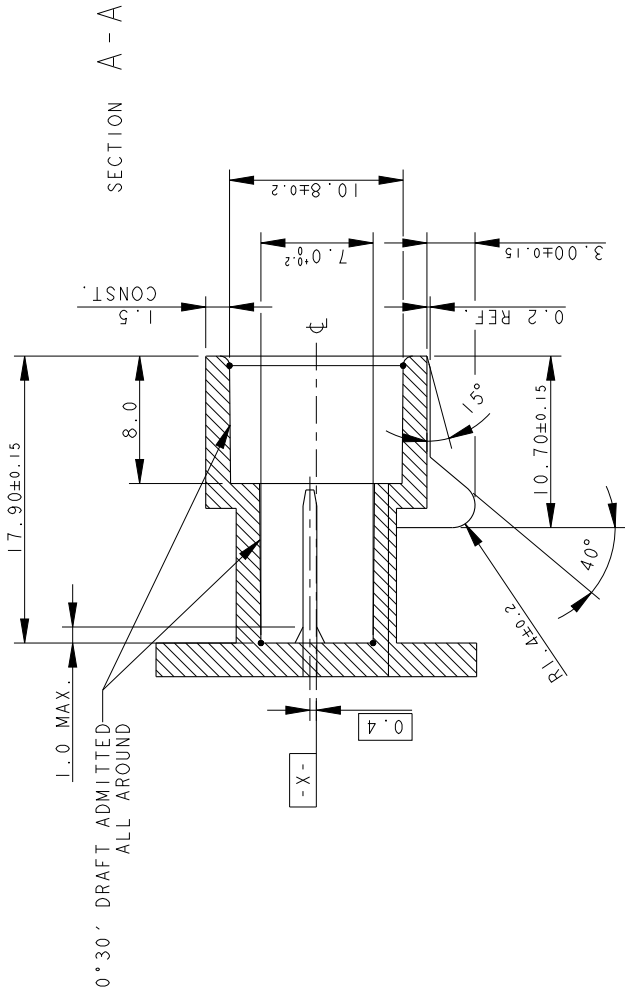
Customer Drawing

REVISIONS		DATE	DWN	APVD
P	LTR			
DESCRIPTION				
SEE SHEET 1				

1	2	3	4
---	---	---	---

THIS DRAWING IS UNPUBLISHED.  
 © COPYRIGHT 2011  
 RELEASED FOR PUBLICATION  
 ALL RIGHTS RESERVED.  
 2011

**COUNTERPART DETAILS**



△ MATERIALS: PA66-GF FOR HOUSING  
 TIN PLATED BRASS FOR TABS

THIS DRAWING IS A CONTROLLED DOCUMENT.		DWN	C. BERTINI	07-1990	STE		TE Connectivity	
DIMENSIONS:		CHK	A. BRUNJ	07-1990	AMP SUPERSEAL 1.5 SRS; 3 POSITIONS PLUG ASS'Y		RESTRICTED TO	
TOLERANCES UNLESS OTHERWISE SPECIFIED:		APVD			PRODUCT SPEC		SIZE	
0 PLC ±0.3					108-20090		DRAWING NO	
1 PLC ±0.1					APPLICATION SPEC		A300779C=282087	
2 PLC ±0.05					412-20000		WEIGHT	
3 PLC ±					±2°		3.65gr	
4 PLC ±					FINISH		Customer Drawing	
ANGLES					△		SCALE	
FINISH					△		SHEET	
MATERIAL					2		OF 2	
					REV		C3	